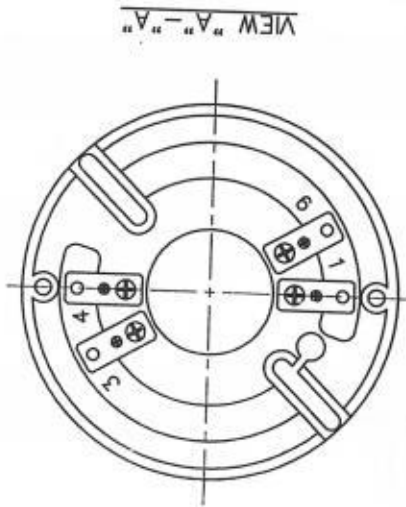
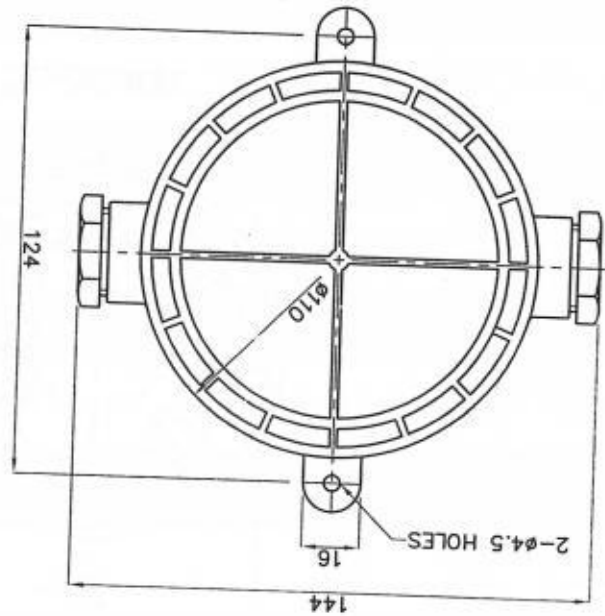
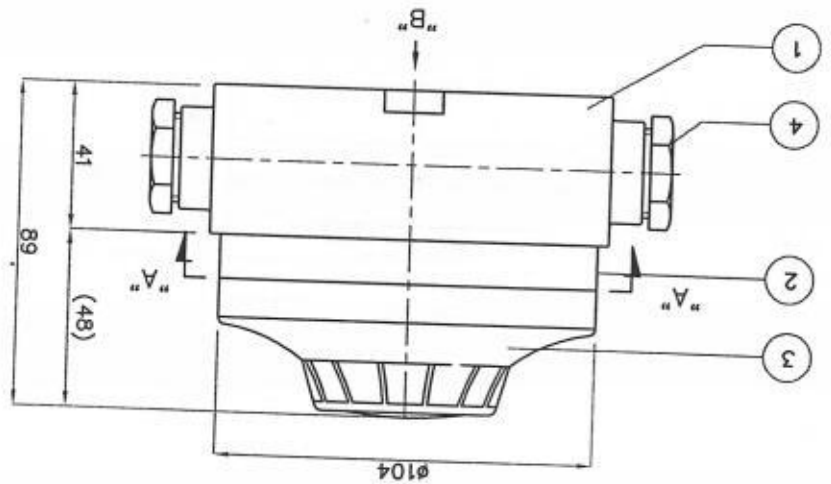


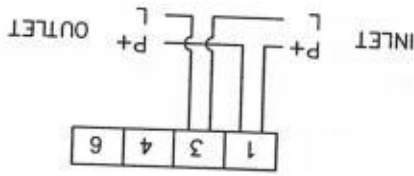
GO WITH SEAPLUS FOR YOUR SAFETY

HEAT DETECTOR (W.T)



NO.	DESCRIPTION	MATERIAL	Q'TY	REMARK
1	BOX	ABS	1	
2	BASE	ABS	1	
3	HEAT DETECTOR HEAD	ABS	1	
4	CABLE GLAND	ABS	2	JIS15B

CONNECTION



SPECIFICATION

- TYPE : SPOT-ELECTRONIC
- COLOR : DETECTOR-WHITE, BOX-WHITE
- RATED VOLTAGE : DC 18V ~ 26V
- RATED CURRENT : 2mA
- WEIGHT : 0.5kg
- CERTIFICATE : KR/KG
- BASE : WATERTIGHT

FD-03-34

SEAPLUS CO., LTD.

SS-001 971001

21,22