

Low Cost Submersion and In-Line ORP Electrodes



S270 Series Ryton Sensors



S260 Series Ryton Sensors



S222 Series Quick Disconnect Models

Economical design for in-line or submersion use

Choose from single or double junction models

Threaded 1/2" or 3/4" NPT connections

High purity platinum measuring surfaces

Special models for low ionic and other specialty applications available

This series of electrodes is designed to provide an economical multi-purpose solution for in-line or submersion ORP measurements. Based on our proven S500C-ORP polished tip or S550C-ORP extended tip or S350CD-ORP flat surface technology, these rugged and durable electrodes are available in Ryton nipples with 1/2" or 3/4" NPT threads; or in our durable epoxy body with or without quick disconnect top caps. Choose from single or double junction designs, flat or recessed measuring surfaces, and cable lengths and connectors as required. For special configurations please contact the Sensorex sales or technical support department.

Specifications

Measuring Range	+/-2000 mV for ORP models)
Body Material	Epoxy (S200 and S222 Series) or Ryton, (S265-S269 Series)
Junction Materials	Pelon for extended tip and polished versions and HDPE for flat surface ORP
Temperature Range	0 - 100 Degrees C
Max Temperature	100 psig
Connector	BNC (other connectors available for an additional charge)
Cable Length	30" or longer for S200 Series lengths at additional cost user specified (Cap-cable S653 required for S222 Series). 10ft length for S265-S269 series
Process Connection	1/2" or 3/4" MNPT for submersion or in-line

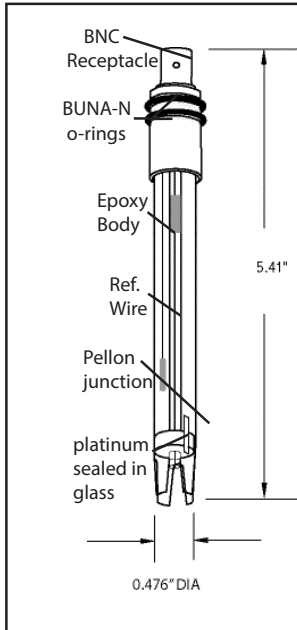
Parts covered by this product data sheet include:

S500C-ORP, S500CD-ORP, S222C,-ORP S222CD-ORP, S223C-ORP, S223CD-ORP, S224C-ORP, S224CD-ORP, S265C-ORP to S272CD-ORP

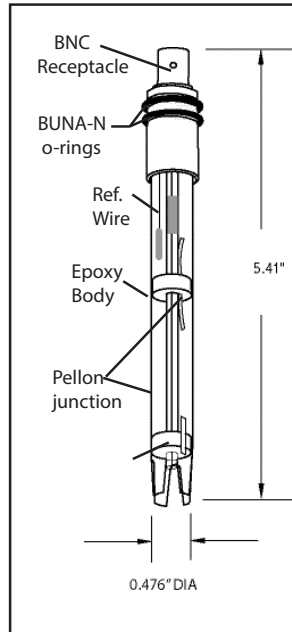
Low Cost Submersion and In-Line ORP Electrodes

Designed to provide an economical multi-purpose solution for in-line or submersion ORP measurements.

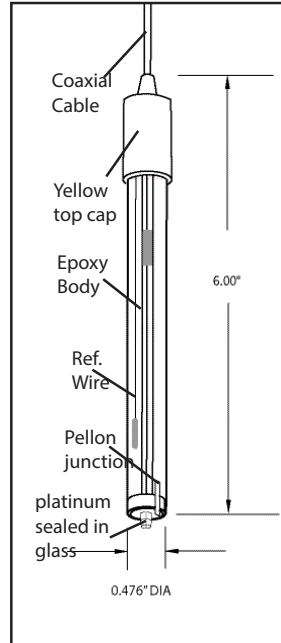
S222C-ORP



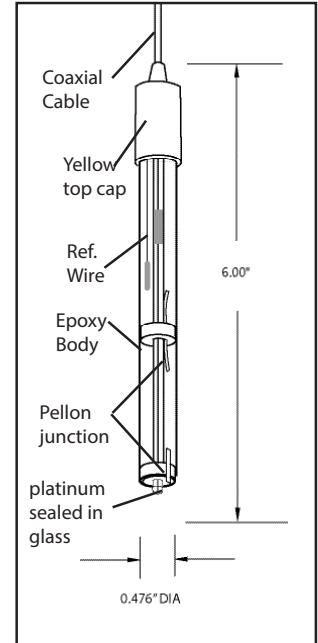
S222CD-ORP



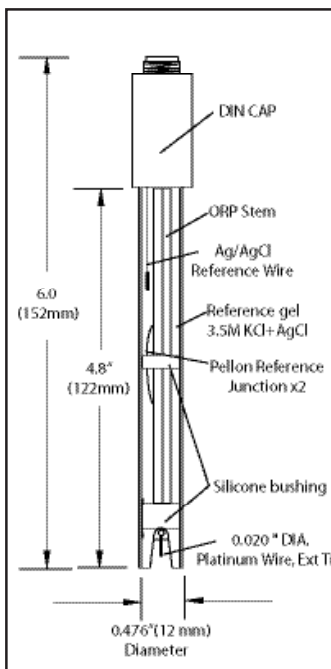
S500C-ORP



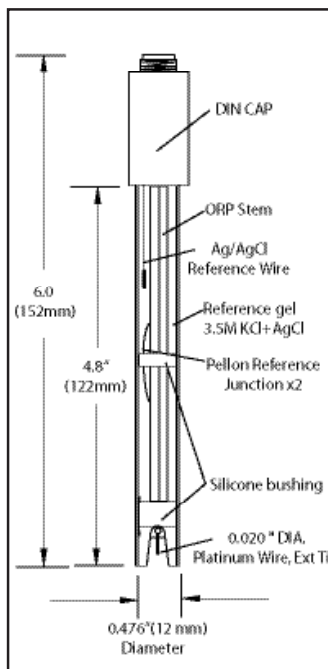
S500CD-ORP



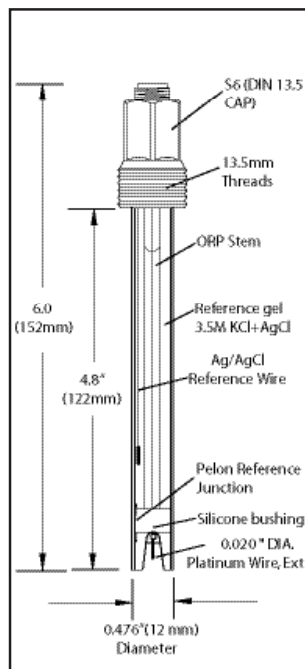
S223C-ORP



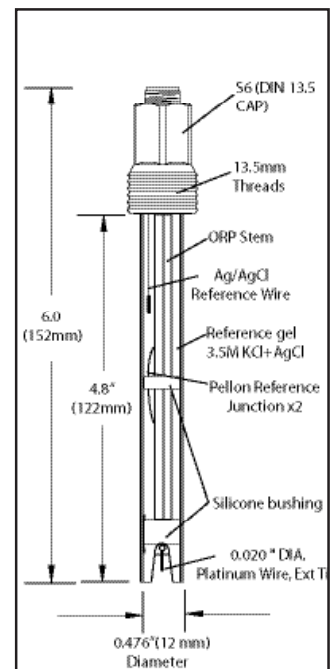
S223CD-ORP



S224C-ORP



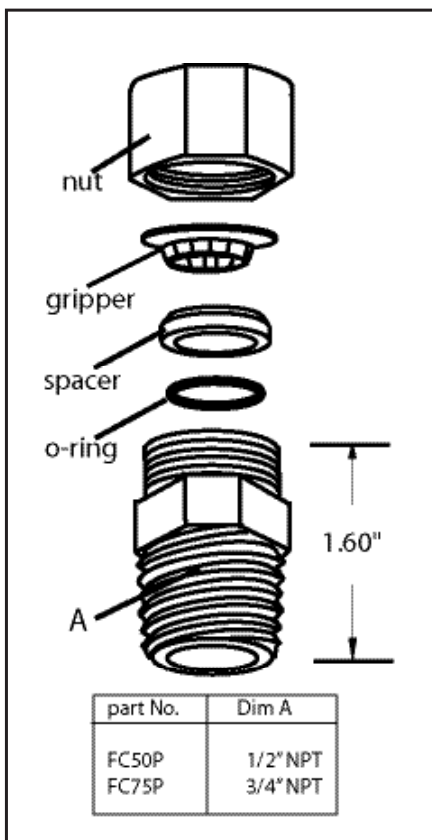
S224CD-ORP



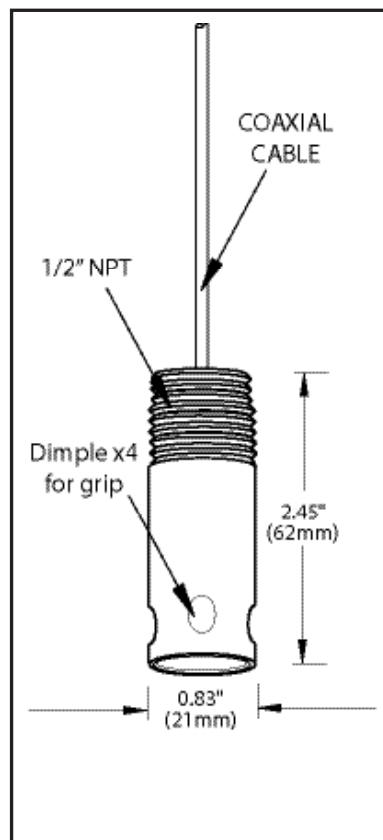
Low Cost Submersion and In-Line ORP Electrodes

Designed to provide an economical multi-purpose solution for in-line or submersion ORP measurements.

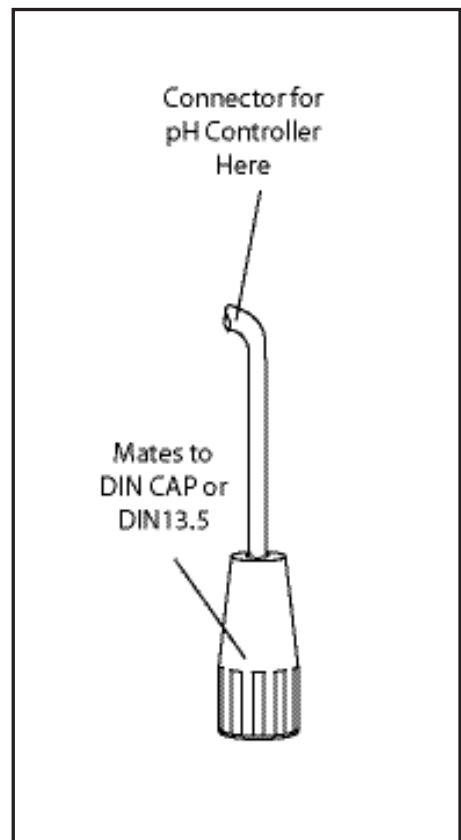
FC50P and FC75P



S653 Cap and Cable for Conduit use



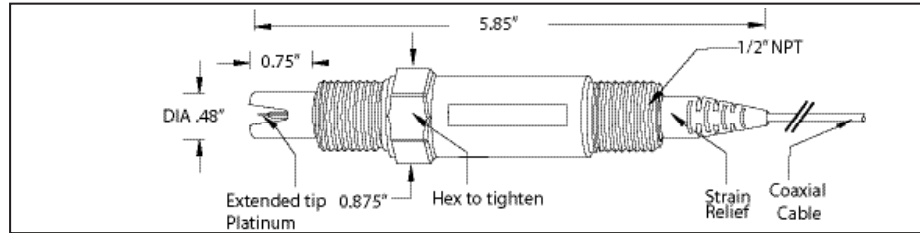
DIN-EL Ext. Cable for DIN Cap Models



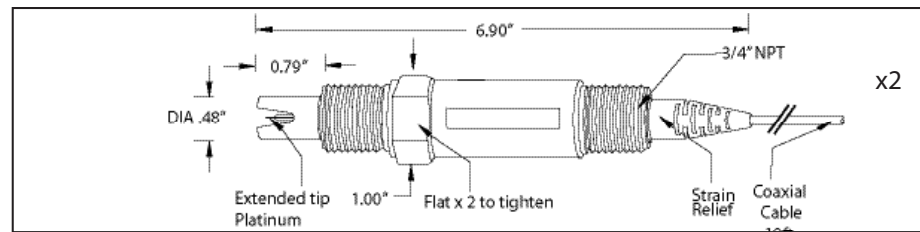
Low Cost Submersion and In-Line ORP Electrodes

Designed to provide an economical multi-purpose solution for

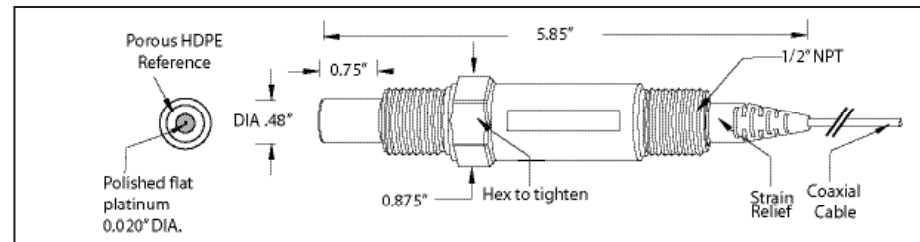
S265C/CD-ORP



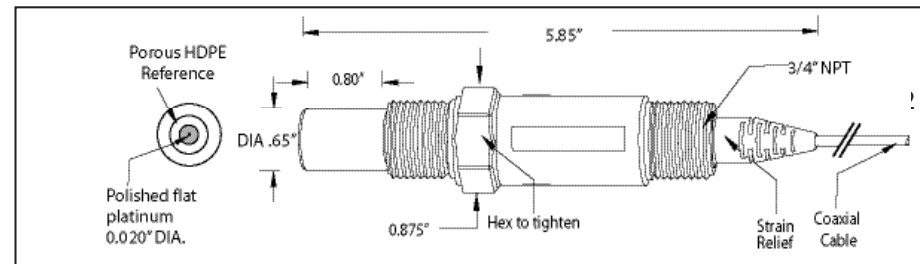
S267C/CD-ORP



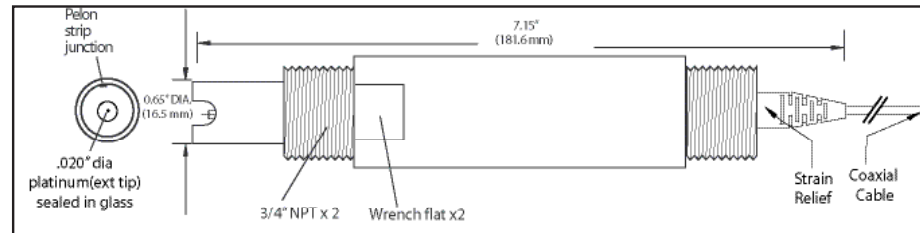
S268CD-ORP



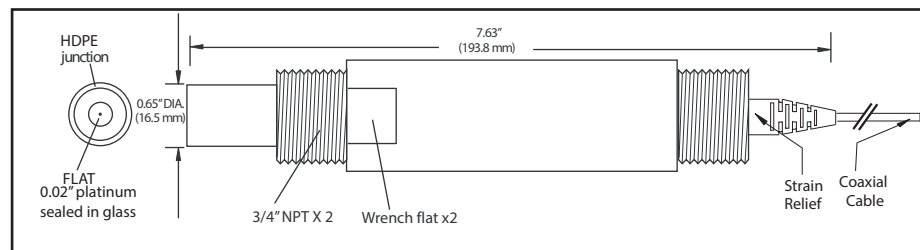
S269CD-ORP



S271CD-ORP



S272CD-ORP



Ordering Information

These economical sensors are submersion and in-line ready by utilizing the 1/2" or 3/4" MNPT threads on the sensor. 10ft cable length is standard. Special lengths available upon request. Ryton body electrodes are rated to 100 degrees C.

Part Number	Nipple	Type
S265C-ORP	Ryton	Single junction 1/2" NPT extended tip platinum
S265CD-ORP	Ryton	Double junction 1/2" NPT extended tip platinum
S267C-ORP	Ryton	Single junction 3/4" NPT extended tip platinum
S267CD-ORP	Ryton	Double junction 3/4" NPT extended tip platinum
S268CD-ORP	Ryton	Double junction 1/2" NPT flat surface platinum
S269CD-ORP	Ryton	Double junction 3/4" NPT flat surface platinum
S271CD-ORP	Ryton	Double junction 3/4" NPT extended tip platinum, heavy duty body
S272CD-ORP	Ryton	Double junction 3/4" NPT flat surface platinum, heavy duty body



Mounting glands



ORP Calibration Kit



TX100 2-wire pH/mV(ORP) transmitter

These economical sensors can be used for submersion or in-line use. Mounting is accomplished by ordering the appropriate mounting gland listed below.

Sensor	Type
S500C-ORP	Single junction spherical style bulb
S500CD-ORP	Double junction spherical style bulb
S222C-ORP	Single junction spherical style bulb-Quick disconnect
S222CD-ORP	Double junction spherical style bulb-Quick disconnect
S223C-ORP	Single junction ORP-DIN Cap
S223CD-ORP	Double junction ORP-DIN Cap
S224C-ORP	Single junction ORP-DIN 13.5 threaded Cap
S224CD-ORP	Double junction ORP-DIN 13.5 threaded Cap
Accessories	
FC50P	1/2 " NPT mounting gland for 12mm electrodes
FC75P	3/4 " NPT mounting gland for 12mm electrodes
FC75TC	3/4 "flow cell, mounting gland and ATC cable for 12mm electrodes
S653	Cap Cable assembly for S222 series (Specify cable length and connector termination when ordering)
EXT Cable - DIN EL/"X"	Extension cable for DIN cap and DIN 13.5 electrodes (Series S223-ORP and S224-ORP)
TX100	4-20mA loop-powered pH/ORP transmitter
B125	ORP quinhydrone calibration kit
B225	Zobell's solution, 1 pint (473mL)
B425	Light's Solution, 3 oz (90mL)
B625	600mV ORP standard solution, 3oz. (90mL)



11751 Markon Dr.
Garden Grove, CA 92841 USA
Tel: 714-895-4344
Fax: 714-894-4839
E-mail: info@sensorex.com
www.sensorex.com