



www.blackmer.com

TYPE	SIZE	UNIT STYLE
NP	1.5B	PO

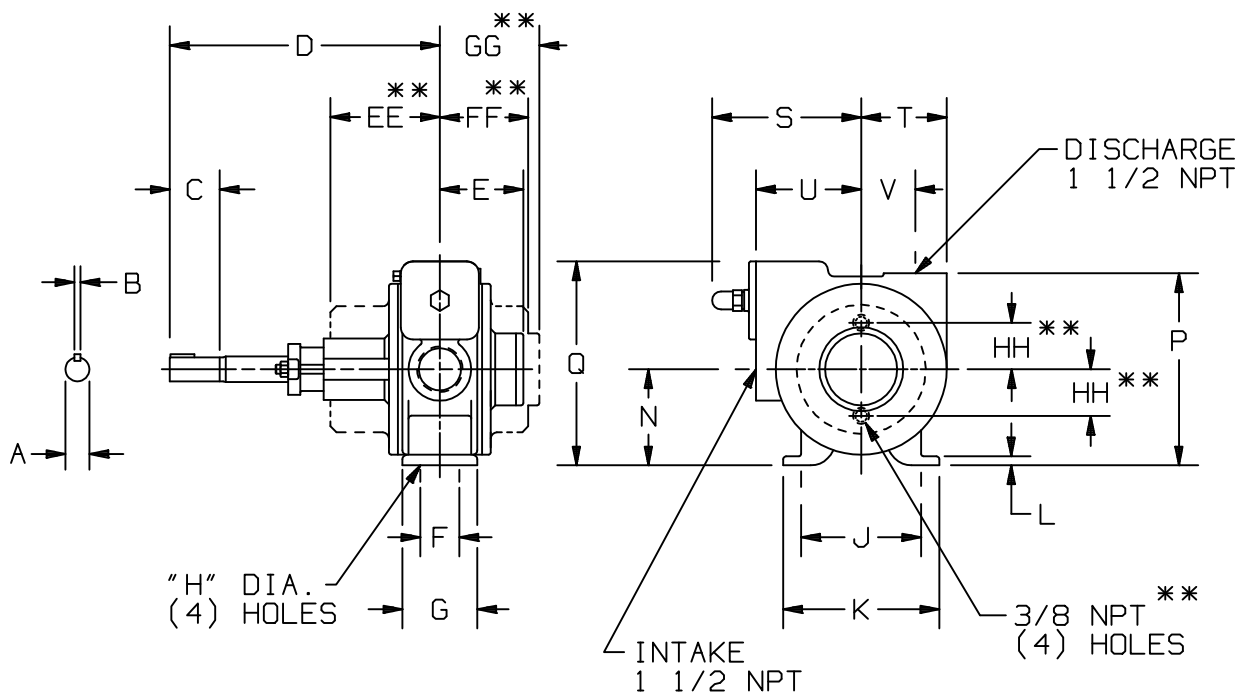
DIMENSIONS 103-103

Section Effective Replaces Page 1/3	100 November 2001 April 1993
-------------------------------------	------------------------------------

RIGHT HAND ROTATION. FOR LEFT HAND ROTATION, SHAFT PROJECTION IS OPPOSITE THAT SHOWN.

* TOLERANCE $\pm \frac{1}{8}$

TOLERANCE ON OTHER DIMENSIONS $\pm \frac{1}{4}$



**OPTIONAL STEAM HEAD ONLY

MOTOR			UNITS	DIMENSIONS									
FRAME SIZE				A	B	C	D	E	F	G	H	J	K
			IN	1	1/4	2 1/16	11 1/4	3 3/4	1 5/8	3 1/8	7/16	5	6 1/2
			MM	25,4	6,4	52,4	285,8	95,2	41,3	79,4	11,1	127	165,1
				L	M	N	P	Q	R	S	T	U	V
			IN	3/8	—	4	8	8 1/2	—	7	3 9/16	4 3/8	2 1/4
			MM	9,5	—	101,6	203,2	215,9	—	177,8	90,5	111,1	57,2
				W	X	Y	Z	AA	BB	CC	DD	EE	FF
			IN	—	—	—	—	—	—	—	14 1/2	4 11/16	3 11/16
			MM	—	—	—	—	—	—	—	368,3	119,1	93,6
				GG	HH					PUMP WEIGHT	WITH STD. FLANGES	** JACKET WEIGHT EACH	
			IN	4 1/2	1 15/16					LBS	47	5	
			MM	114,3	49,2					KG	21	2,3	