

## SMT 6000 TS J

### Thru Beam

Standard, Photoelectric Sensors

#### Compatible Receivers:

SMR 6002 TS J, SMR 6006 TS J, SMR 6102 TS J, SMR 6106 TS J, SMR 6202 TS J, SMR 6206 TS J, SMR 6302 TS J, SMR 6306 TS J, SMR 6402 TS J, SMR 6406 TS J, SMR 6502 TS J, SMR 6506 TS J




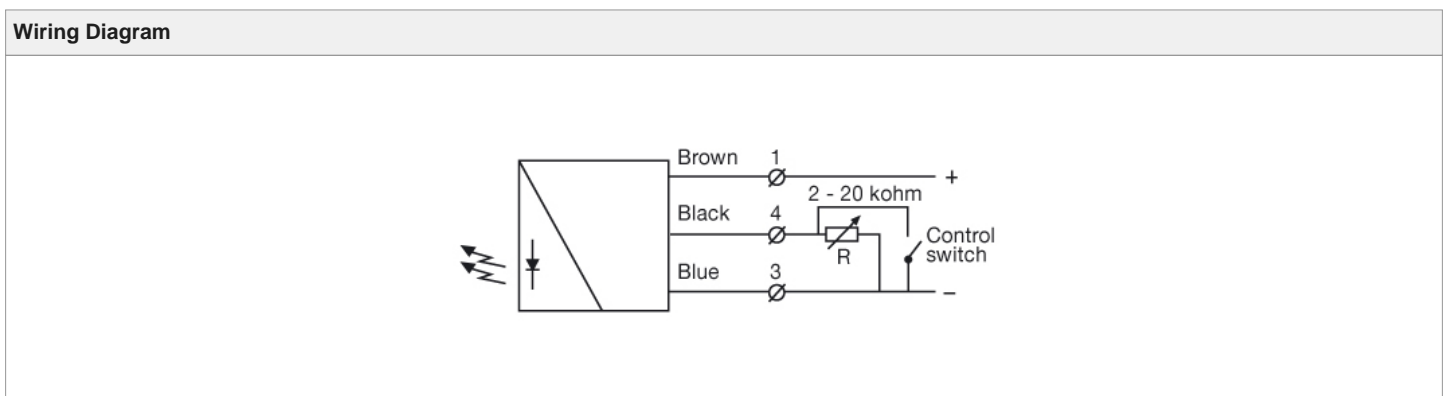
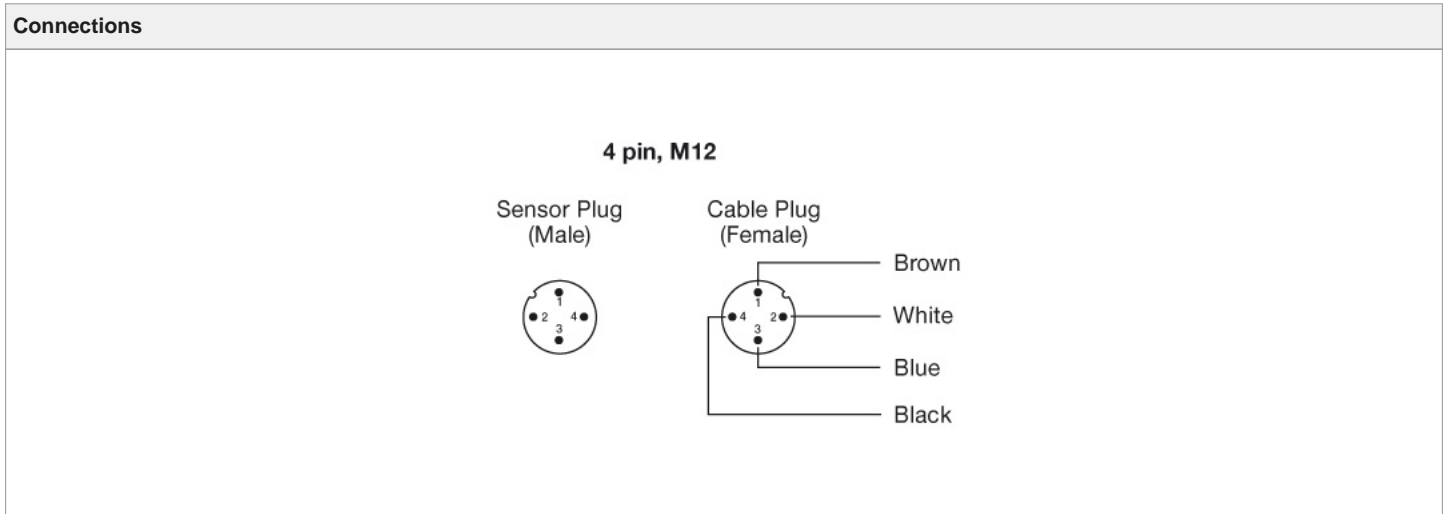
Product Data	
Function:	Transmitter
Supply Voltage:	10 - 32 V dc
Light Source:	Infrared (880 nm)
Housing Material:	Stainless Steel
Housing:	M12 x 1
Control Feature:	Adjustable range and test input
Connection:	4 pin, M12 plug
Sensing Range:	6 m
Output:	-
Output Status:	-
Operation Mode:	Thru Beam

Technical Data	
Supply Voltage:	10 - 32 V dc
Voltage Ripple:	15 %
Reverse Polarity Protected:	Yes
Short Circuit Protected:	-
Current Consumption:	Max. 320 mW
Max. Output Load:	-
Max. Residual Voltage:	-
Max. Operation Frequency:	-
Power On Indicator:	Green LED
Output Indicator:	-
Hysteresis:	-
Light Source:	Infrared (880 nm)
Opening Angle:	-
Emission Angle:	+/- 10°
Cable:	3 x 0,14 mm <sup>2</sup>

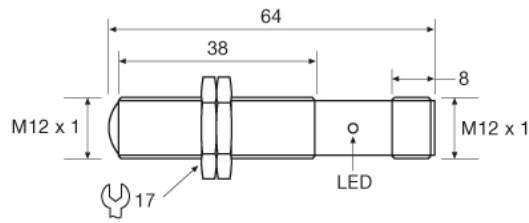
Response Time ton / toff:	-
Housing Material Sensor Housing:	Stainless Steel (AISI 316 / 1.4401)
Housing Material Lens Cover:	Polycarbonate
Cable Sleeve:	PVC Ø 4,0 mm
Test Input:	Yes
Control Input:	Adjustable range

Environmental Data	
Vibration:	10 - 55 Hz, 0.5 mm
Shock:	30 g
Operation Temperature:	-20 to +60 °C
Storage Temperature:	-40 to +80 °C
Sealing Class:	IP 67
Light Immunity 5°:	-

Approvals


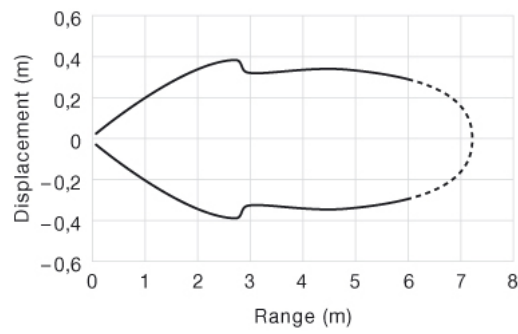


Dimensions

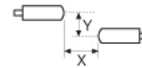


Sensing Characteristics

Parallel Displacement



SMT 6000 and SMR 6x06



Angular Displacement

