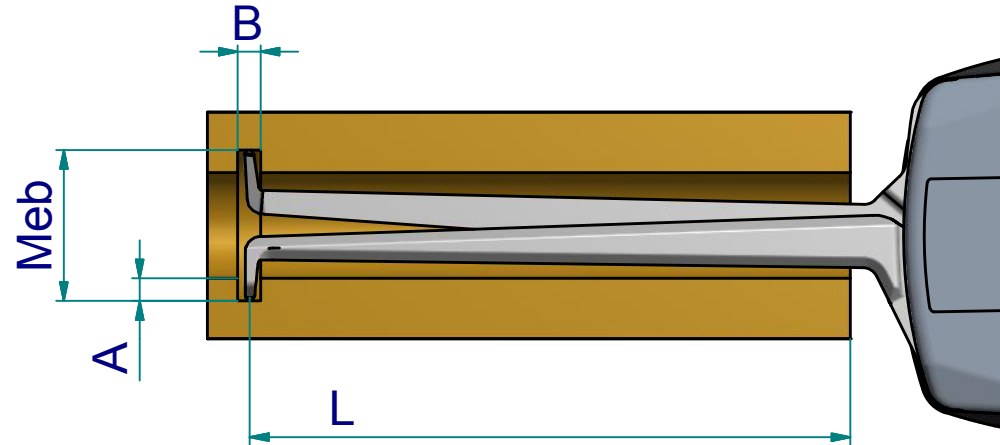


subject to technical alterations

type: **G**  
range: **30 - 50 mm**  
range of indication: **29,5 - 50,5 mm**  
digital step: **0,01 mm**  
scale interval: **-**  
measuring force: **1,1 - 1,6 N**  
weight: **255 g**

acceptable deviations  
VDI/VDE/DGQ 2618 Bl. 12.1/13.1)  
max. permissible errors "G": **0,03 mm**  
repeatability "r": **0,01 mm**  
reference temperature: **20° C**  
operation temperature: **10° C - 30° C**  
storage temperature: **-10° C - 50° C**

scale: **1:1**  
drawing-nr.: **DAB-G230\_KR\_e**  
date of issue: **08.01.09**  
name: **M. Balzer**  
revision status:  
revision date:



measuring capacity

		measuring range Meb [mm]								
		30	32	34	36	38	40	42	45	50
groove depth A [mm]	0	0 / 74,0	0 / 83,2	0 / 84,6	0 / 85,7	0 / 86,5	0 / 86,8	0 / 87,0	0 / 87,3	0 / 87,8
	1		1,5 / 81,4	1,5 / 83,9	1,5 / 85,0	1,5 / 86,1	1,5 / 86,7	1,5 / 86,8	1,5 / 87,1	1,5 / 87,5
	2			1,6 / 82,8	1,6 / 84,3	1,6 / 85,4	1,6 / 86,3	1,6 / 86,7	1,6 / 86,9	1,6 / 87,2
	3				1,7 / 83,6	1,7 / 84,7	1,7 / 85,7	1,7 / 86,5	1,7 / 86,7	1,7 / 87,0
	4					1,9 / 84,0	1,9 / 85,0	1,9 / 86,0	1,9 / 86,5	1,9 / 86,8
	5						2,0 / 84,3	2,0 / 85,2	2,0 / 86,4	2,0 / 86,5
	6							2,1 / 84,5	2,1 / 85,9	2,1 / 86,4
	6,5								2,2 / 85,5	2,2 / 86,3
		B / L								

subject to technical alterations

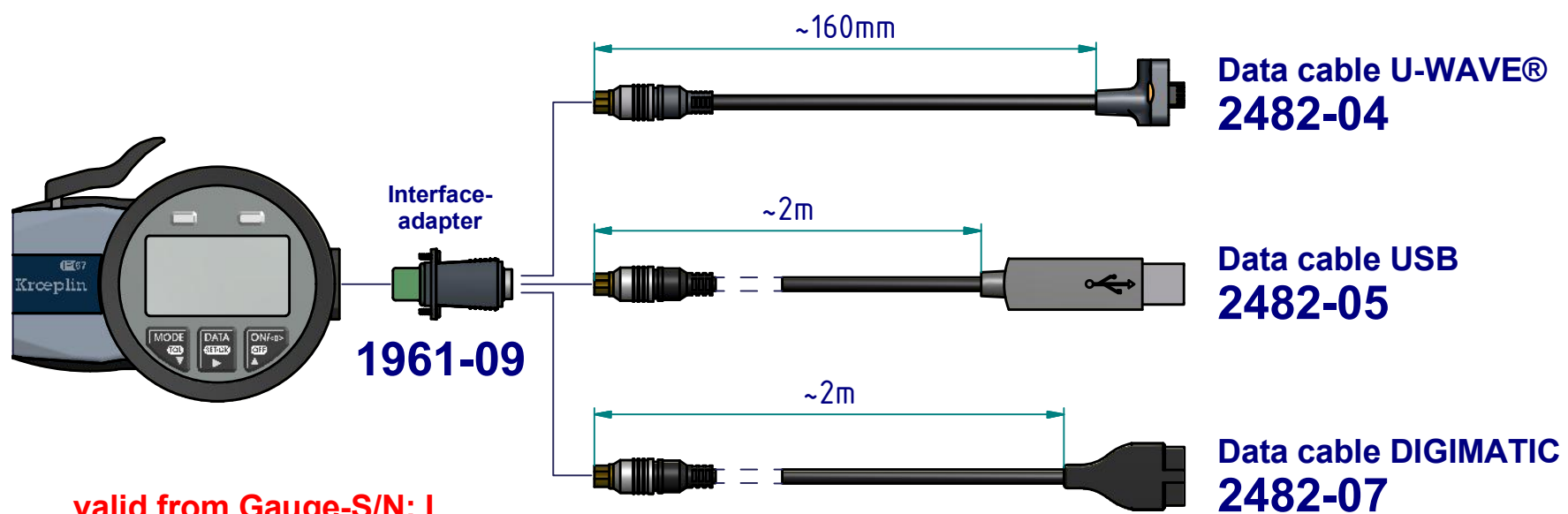
**B = minimum groove width [mm]**  
**L = maximum usable arm length [mm]**

Example: Meb = 36      B = 1,6  
                  A = 2            L = 84,3

drawing-nr.: DAB-G230\_KR\_e  
date of issue: 08.01.09  
name: M. Balzer

revision status:  
revision date:

interface as accessories available:



**valid from Gauge-S/N: I**  
**Always specify serial number**  
**when ordering Interfaces or accessories!**

subject to technical alterations

drawing-nr.:	DAB-G230_KR_e
date of issue:	08.01.09
name:	M. Balzer
revision status:	2043
revision date:	27.02.12