

30  
Years

# YHB

Environmental & Industry M/C  
and Machine Tool Parts

New Products & Vision



Inc. **YHB** **ECO**

<http://www.yhbeco.com>



## YHB Global Networks

YHB concentrate to creating a transparent and enterprising corporate culture popular with the young talent, we build completely domestic & overseas business warranty service and global network for customer's satisfaction. On the basis of this, we devote ourselves to making the low cost/high efficiency product which the customers low costly use in the whole world .



## YHB Global Marketing

YHB will be with the achievement of world's best technology, we focus the core of all our abilities on making an innovation of technology and quality. So we pursue jumping to global leader with providing distinctive customer's satisfaction.

**Korea Factory**

- Competitive price
- In time delivery
- Quality Assurance

**Customer**

- Green Products
- Thinking customer's health & safety
- Clean System

**Management**

- Customer's satisfaction
- Worker feel the fruitful life
- Develop Company's business

**Osaka Office**

- Local office & warehouse
- Able in time delivery
- Local maintenance

**Shanghai Office**

- Marketing of new products
- Agent Education
- After Service

### | References |

#### | Domestic |

- Yooil Machinery Co.
- Hwacheon Machinery Co.
- Namsun Machinery Co
- HMC Co.Ltd.
- Hyundai Power Tech
- Doosan Infracore
- Hyundai WIA
- Hanwha Machinery Co

- Samsung Ele. Co.
- Mando Machinery Co.
- POSCO
- FUNAC Korea
- Samcheonri Machinery Co
- Hanmi Semiconductor Co.
- Hansol LCD Co. Ltd.
- YG-1 Co. Ltd.

#### | Japan |

- Fukuda Trade Co.
- Hisico Co.
- OHM Elec. Co.
- Mitsubishi M/C Co.
- Sigiyaseiki Co
- Toyota Trade Co.
- Taeyang Machinery Co.
- Kihoo Trade Co

### | Certification |



# Company Introduction

**| Overview** Foundation : Dec. 1987  
Factory : Building 5000m sq./ Worksite 7,000m sq

**| Business** Industry' s : LOCK NUT  
POWER LINK  
Environmental' s : Oil Mist Cleaner  
Electrical Precipitator  
Coolant Gun

**| Office** Seoul, Osaka Japan, Shanghai China, Taiwan



## | Company history

- 1987. 12. Established the company
- 1992. 04. Developed lock-nut with own technology
- 1993. 02. Designated as calibration inspection institute (Industrial Promotion Administration)
- 1993. 02. Acquired Q-mark (Korea Living Goods Test Inspection Office)
- 1993. 05. Selected as promising company from Bank of Gwangju
- 1995. 05. Designated the 21C leading promising company from the Ministry of Industry
- 1995. 05. Designated of the SBA Cooperative Union
- 1995. 06. Awarded the prize for New Technology Development Competition from Gwangju Metropolitan City
- 1995. 11. Commended and designated as domestication company for capital material industry from Ministry of Commerce and Industry No.16824
- 1996. 08. Acquired EM mark(National Quality Technology Board)
- 1997. 12. Designated as military special incentive company from Military
- 1998. 02. Selected the item for domestication for capital material in 1998(MOCIE) as Oil Mist Cleaner H.S. No.8421319000
- 1998. 03. Designated as the registered company for the Public Procurement Service
- 1999. 05. Acquired CE mark(TUV of Germany)
- 1999. 05. Designated as venture company (SMBA)
- 2000. 01. Acquired S Mark(Korea Occupational Safety and Health Agency)
- 2001. 01. Developed electric dust collector E/P CLEANER
- 2002. 05. Awarded of model SME commendation from SMBA
- 2004. 11. Awarded of Development of New Technology from MOCIE
- 2005. 06. Selected the world best item of locknut & power link from MOCIE
- 2005. 10. Certificated the ISO 14001
- 2007. 06. Selected the world best item of locknut & power link from MOCIE
- 2007. 10. Selected the INNO-BIZ from SBA
- 2008. 04. Acquired CE mark (EP Collector)
- 2008. 04. Acquired CE mark (Dust Cleaner)
- 2009. 02. Certificated the ISO 14001
- 2010. 08. Opened the Osaka office in Japan
- 2012. 05. Opened the Shanghai office in China
- 2012. 12. Opened the Taiwan office
- 2013. 06. Awarded Ceremony tower of 3 million export from MOCIE



### ■ Main Office / Factory

74 Hanamsandan 7 road, Gwangsan-Gu,  
Gwangju City, Korea

### ■ Seoul Office

Rm 516 Daeyng Techno Town 12h  
327-32, Gasan-Dong, Gumcheon-Gu,  
Seoul, Korea

### ■ Research Center

732-10, Ancheng-Dong, Gwangsan-Gu,  
Gwangju City, Korea



# Our Products in Applications by **YHB**

## Lock Nut & Power Link

**OHM** オーム電機株式会社  
OHM ELECTRIC  
OEM Export to OMU Elec. Co.



Mist Cleaner YMC TYPE



Element for Servo Motor  
SWLE300TYPE



Nut for Ball Screw (SLN, YAN TYPE)



**FKD** Export to Fukuda Co.

COOLANT GUN



Necessary  
item of  
all tools

Nut for Spindle (ZM, ZMV, SLN, SWLN)

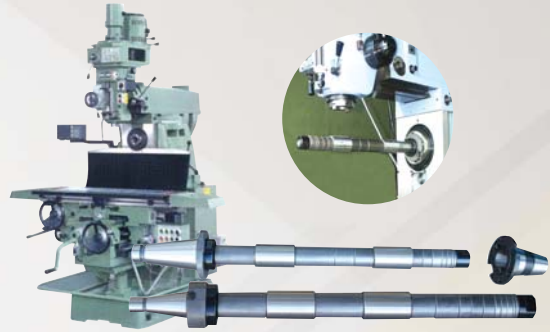


*These products aim the operator convenience and the durability World's favorite to make environmentally friendly which is the YHB's first object.*

# Green Factory



Mist Cleaner YPM TYPE



LONG ARBOR

For CNC Lathe,  
CNC Milling m/c, Machining Center  
Tapping m/c, Grinder m/c, Hopping m/c  
Planner Miller etc..... Tools part &



Dust Collector YDC TYPE



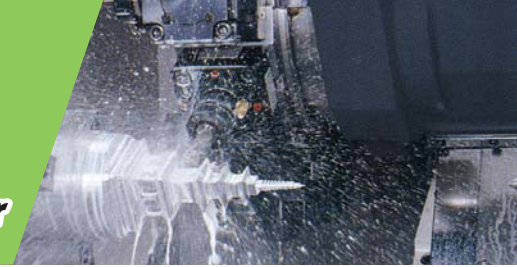
Mist Cleaner YMC TYPE



Electrostatic Precipitator

# Mist Cleaner

YMC-F Type  
**Mist Cleaner**

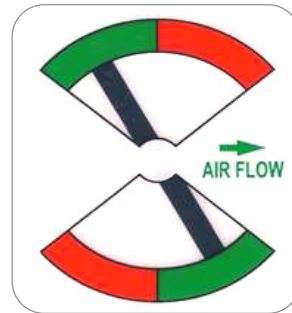


## What is the Mist ?

The Mist pollutes the work area and air when processing in the machine tool. It causes disease by inhalation the human body, Beside due to generating the shortening of life span and decline of productivity, this cleaner makes clean and fresh environment by collecting and eliminating Mist.

98% efficiency on the 1 $\mu$ m basis

AFTER FILTER  
(Option)



Arrow on Green



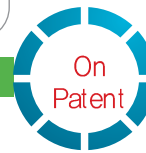
Normal



Arrow on Red



Need the filter changed



Owing to successive cleaning of the machine using period by one time installation, which not only life of the machine but also productivity will be improved in fresh work site.

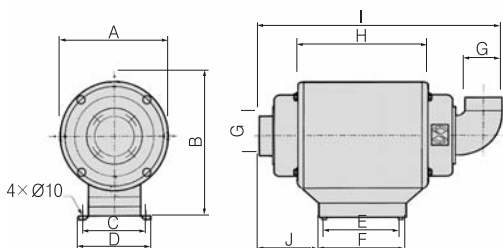
## Dimensions

Unit : mm

MODEL	A	B	C	D	E	F	G	H	I	J
YMC300F	320	409	180	220	210	240	∅99	322	680	188
YMC350F	365	454	180	220	210	240	∅125	370	800	222
YMC400F YMC420F	452	595	280	320	360	400	∅150	480	973	235

MODEL	YMC 300F	YMC 350F	YMC 400F	YMC 420F
Power	3 Phase 220V/380V/440V (50/60 Hz)			
Motor (Kw)	0,4	0,75	1,5	2,2
Ampere (A)	1,7/1,0/0,8	3,5/2,0/1,6	6,5/3,7/3,3	8,5/4,9/4,2
RPM (r.p.m.)	3,450			
Wind flow rate(m <sup>3</sup> /min)	7	12	25	30
Static pressure(mmAq)	90	120	170	180
Noise (dB)	65±2	68±2	70±2	70±2
Efficiency (%)	98%			
Thermal (°c)	50°c			
In, outlet (∅)	100	125	150	150
Weight (kg)	25	33	55	59
Filter material	POLYESTER			

\* When setting After filter and Chip Will be decreased separator, air volume will be decrease d about 8%.  
\* Above specifications are based on 60Hz, When applying 50Hz air volume is reduced by 20%.



STANDARD PARTS	OPTION PARTS
1, DRAIN HOSE : 3m 2, FLANGE : 1EA	1, AFTER FILTER



# Oil Mist Cleaner

YOC-F Type  
**Oil Mist Cleaner**

- Rotation Axis parts / Precision balancing
- Vibration proof rubber, pad use
- Simple installation / Water proof motor
- Maximization of suction and exhaust power
- Excellent collection efficiency
- After Air cleaning will be able to reuse, internal washing is simple

## Expectation Effect

1. Worker's health protection (Occupational disease)
2. Maintenance of cleaning condition in the factory  
(The Prevention of negligent Accidents)
3. Improvement of productivity (Inspire to Labor morale)
4. Costs-reduction (It needs not duct facility)



オーム電機株式会社

OEM Export to  
OMU Elec. Co.

## Dimensions

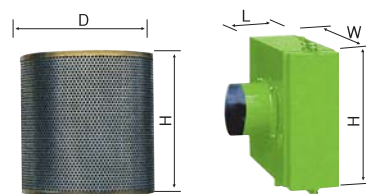
Unit: mm

MODEL	AFTER FILTER		MODEL	CHIP SEPARATOR		
	D	H		W	L	H
300TYPE	φ 350	330	YOC 300	272	125	275
350TYPE	φ 350	330	YOC 350	307	125	310
400Type 420Type	φ 350	500	YOC400 YOC420	400	185	405

MODEL	YOC 300F	YOC 350F	YOC 400F	YOC 420F
Power	3 Phase 220V/380V/440V (50/60 Hz)			
Motor (Kw)	0.4	0.75	1.5	2.2
Ampere (A)	1.7/1.0/0.8	3.5/2.0/1.6	6.5/3.7/3.3	8.5/4.9/4.2
RPM (r.p.m.)	3,450			
Wind flow rate(m <sup>3</sup> /min)	5	10	20	25
Static pressure(mmAq)	90	120	170	180
Noise (dB)	65±2	68±2	70±2	70±2
Efficiency (%)	98%			
Thermal (°c)	50°c			
In, outlet (φ)	100	125	150	150
Weight (kg)	30	37	64	67
Filter material	POLYESTER			

- \* When setting After filter and Chip Will be decreased separator, air volume will be decreased about 8%.
- \* Above specifications are based on 60Hz, When applying 50Hz air volume is reduced by 20%

STANDARD PARTS	OPTION PARTS
1. DRAIN HOSE : 6m 2. FLANGE : 1EA	1. AFTER FILTER



AFTER FILTER

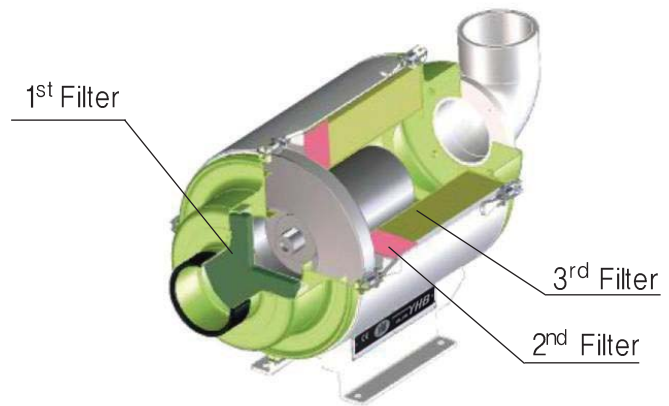
CHIP SEPARATOR

# Mist Cleaner

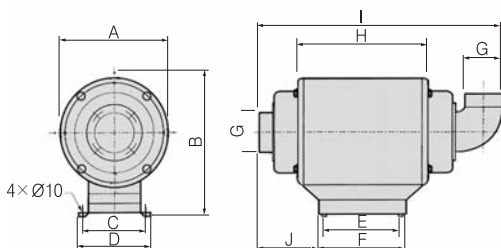
**Mist Cleaner**



- **Product Features** :Product size is smaller and lighter, installed on machinetool occupied less space.
- **Area of use** :Industrial Machinetools, MCT, CNC lathe, Grinding machine, Drilling Machine, EDM
- **Collection method** :Filter replacement
- **Options** : Fine oil mist collection needs After filter attachment.



Owing to successive cleaning of the machine using period by one time installation, which not only life of the machine but also productivity will be improved in fresh work site.



## Dimensions

Unit : mm

MODEL	A	B	C	D	E	F	G	H	I	J
YMC300	320	409	180	220	210	240	∅99	322	680	188
YMC350	365	454	180	220	210	240	∅125	370	800	222
YMC400	452	595	280	320	360	400	∅150	480	973	235
YMC420										

MODEL	YMC 300	YMC 350	YMC 400	YMC 420
Power	3 Phase 220V/380V/440V (50/60 Hz)			
Motor (Kw)	0,4	0,75	1,5	2,2
Ampere (A)	1,7/1,0/0,8	3,5/2,0/1,6	6,5/3,7/3,3	8,5/4,9/4,2
RPM (r.p.m.)	3,450			
Wind flow rate(m <sup>3</sup> /min)	7	12	25	30
Static pressure(mmAq)	90	120	170	180
Noise (dB)	65±2	68±2	70±2	70±2
Efficiency (%)	98%			
Thermal (°c)	50°c			
In, outlet (∅)	100	125	150	150
Weight (kg)	25	33	55	59
Filter material	POLYESTER			

- \* When setting After filter and Chip Will be decreased separator, air volume will be decrease d about 8%.
- \* Above specifications are based on 60Hz, When applying 50Hz air volume is reduced by 20%.

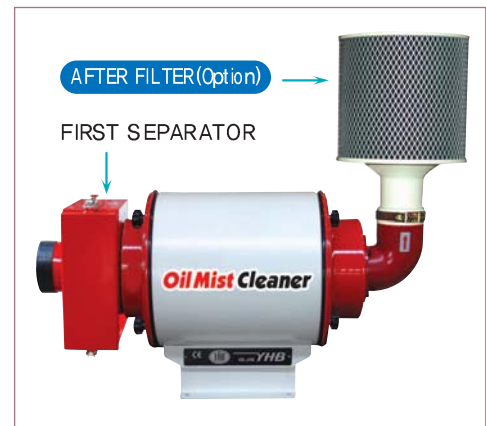
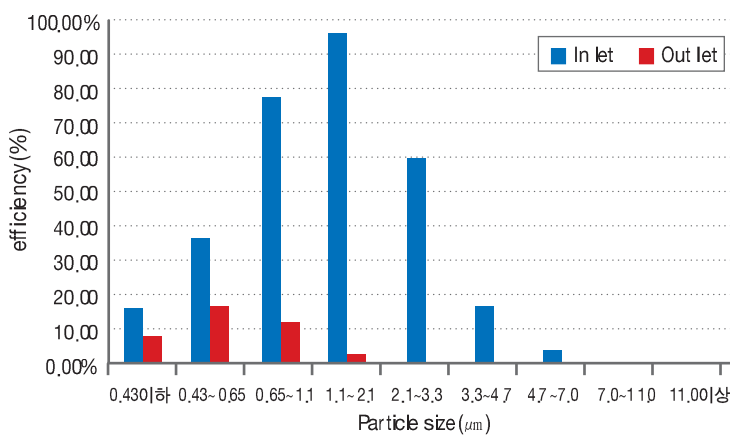
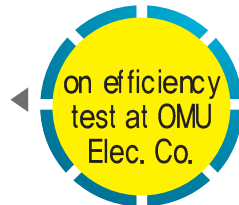
STANDARD PARTS	OPTION PARTS
1, DRAIN HOSE : 3m	1, AFTER FILTER
2, FLANGE : 1EA	





# Oil Mist Cleaner

**Oil Mist Cleaner**



## Dimensions

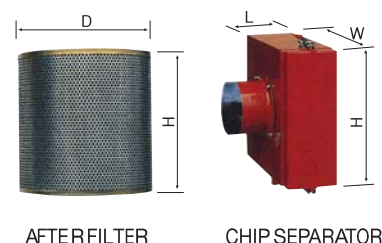
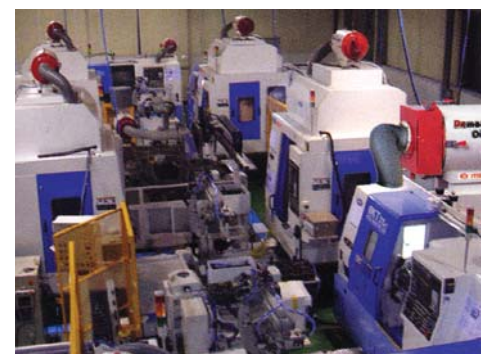
Unit : mm

MODEL	AFTER FILTER		MODEL	CHIP SEPARATOR		
	D	H		W	L	H
300 TYPE	φ 350	330	YOC 300	272	125	275
350 TYPE	φ 350	330	YOC 350	307	125	310
400 TYPE	φ 350	500	YOC 400	400	185	405
420 TYPE	φ 350	500	YOC 420	400	185	405

MODEL	YOC 300	YOC 350	YOC 400	YOC 420
Power	3 Phase 220V/380V/440V (50/60 Hz)			
Motor (Kw)	0.4	0.75	1.5	2.2
Ampere (A)	1.7/1.0/0.8	3.5/2.0/1.6	6.5/3.7/3.3	8.5/4.9/4.2
RPM (r.p.m.)	3,450			
Wind flow rate(m/min)	5	10	20	25
Static pressure(mmAq)	90	120	170	180
Noise (dB)	65±2	68±2	70±2	70±2
Efficiency (%)	98%			
Thermal (°C)	50°C			
In, outlet (φ)	100	125	150	150
Weight (kg)	30	37	64	67
Filter material	POLYESTER			

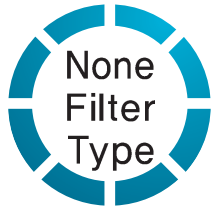
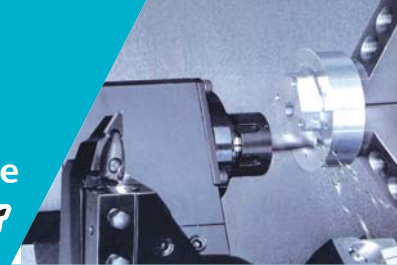
※ When setting After filter and Chip Will be decreased separator, air volume will be decreased about 8%  
 ※ Above specifications are based on 60Hz, When applying 50Hz air volume is reduced by 20%

STANDARD PARTS	OPTION PARTS
1. DRAIN HOSE : 6m 2. FLANGE : 1EA	1. AFTER FILTER



# Non Filter Mist Cleaner

Non Filter Type  
**Mist Cleaner**

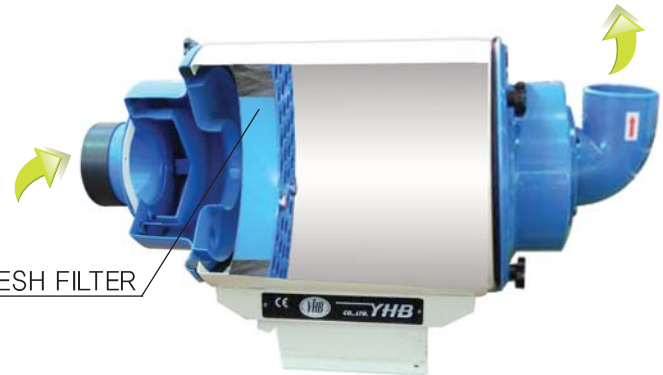


83% efficiency on the 2 $\mu$ m basis

AFTER FILTER(Opton)



Patent No.8421319000



SUS MESH FILTER



## Dimensions

Unit : mm

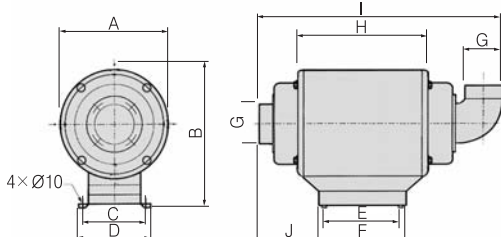
MODEL	A	B	C	D	E	F	G	H	I	J
YMC300C	320	409	180	220	210	240	∅99	322	680	188
YMC350C	365	454	180	220	210	240	∅125	370	800	222
YMC400C	452	595	280	320	360	400	∅150	480	973	235
YMC420C										

MODEL	YMC-300C	YMC-350C	YMC-400C	YMC-420C
Power	3 Phase 220V/380V/440V (50/60 Hz)			
Motor (Kw)	0,4	0,75	1,5	2,2
Ampere (A)	1,7/1,0/0,8	3,5/2,0/1,6	6,5/3,7/3,3	8,5/4,9/4,2
RPM (r.p.m.)	3,450			
Wind flow rate(m <sup>3</sup> /min)	7	12	25	30
Static pressure(mmAq)	90	120	170	180
Noise (dB)	68±2	72±2	74±2	74±2
Efficiency (%)	83%			
Thermal (°c)	50°c			
In, out let (∅)	100	125	150	150
Weight (kg)	25	33	55	59
Filter material	SJS MESH			

\* When setting After filter and Chip Will be decreased separator, air volume will be decrease d about 8%.  
\* Above specifications are based on 60Hz, When applying 50Hz air volume is reduced by 20%.

STANDARD PARTS	OPTION PARTS
1. DRAIN HOSE : 3m	1. AFTER FILTER
2. FLANGE : 1EA	

“  
Owing to successive cleaning of the machine using period by one time installation, which not only life of the machine but also productivity will be improved in fresh work site.  
”



# Non Filter Oil Mist Cleaner

**Oil Mist Cleaner**



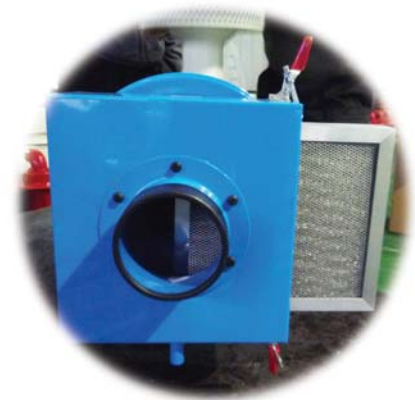
## Features

- Without the hassle of filter replacement and cost savings, the follow-up management is unnecessary.
- It reduces waste and maintenance time by using Sus-Demister Filter.
- microchip preprocessing capture functions, which is outstanding performance
- FAN and inside the main body to the Air simply cleaning.

## Principles

- 1) Oil mist conflict to pretreatment device Chip Separator, a large particle size oil mist will filter.
- 2) If Chip Separator does not capture some oil mist, it is absorbed by SUS demister filter which is inside the main body , they will be gathered into the liquid.
- 3) Collecting Oil mist flows along the walls and it 's discharged to the outside through a drain pipe.

95% efficiency on the 2 $\mu$ m basis



## Dimensions

Unit : mm

MODEL	AFTER FILTER		MODEL	CHIPSEPARATOR		
	D	H		W	L	H
300 TYPE	$\phi$ 350	330	YOC 300C	272	125	275
350 TYPE	$\phi$ 350	330	YOC 350C	307	125	310
400 TYPE	$\phi$ 350	500	YOC 400C	400	185	405
420 TYPE			YOC 420C			

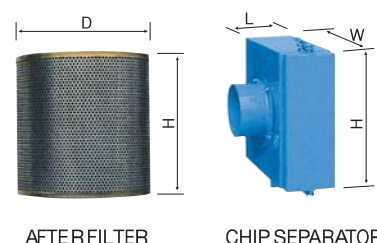
MODEL	YOC-300C	YOC-350C	YOC-400C	YOC-420C
Power	3 Phase 220V/380V/440V (50/60 Hz)			
Motor (Kw)	0,4	0,75	1,5	2,2
Ampere (A)	1,7/1,0/0,8	3,5/2,0/1,6	6,5/3,7/3,3	8,5/4,9/4,2
RPM (r.p.m.)	3,450			
Wind flow rate(m/min)	5	10	20	25
Static pressure(mmAq)	90	120	170	180
Noise (dB)	65 $\pm$ 2	68 $\pm$ 2	70 $\pm$ 2	70 $\pm$ 2
Efficiency (%)	95%			
Thermal (°c)	50°c			
In, outlet ( $\phi$ )	100	125	150	150
Weight (kg)	30	37	64	67
Filter material	SUS MESH			

\* When setting After filter and Chip Will be decreased separator, air volume will be decrease d about 8%  
 \* Above specifications are based on 60Hz, When applying 50Hz air volume is reduced by 20%

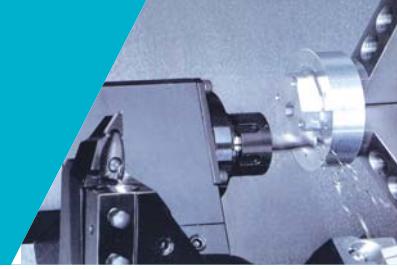
STANDARD PARTS	OPTION PARTS
1. DRAIN HOSE : 6m 2. FLANGE : 1EA	1. AFTER FILTER

## Applications

Machining Center, CNC Lathe, Milling Machine, EDM, Etc Machine that occur mist.



# Non Filter Mist Cleaner



One body, two function



## The Electrostatic Precipitator invented anew

YHB presents a Electrostatic precipitator of the world has not seen before

A revolution of oil mist for Industrial & Tool M/C

Removable the **OilMist, Welding Hum, Mist, Dust and Smoke**



– Option

- FILTER AIR CLEANING SYSTEM
- RAIL TYPE (Simple unit with removable filter)



### ► Characteristics

- Low cost of maintenance  
(no need the filter replacement and reuse only cleaning)
- High efficiency of collecting  
(Can collect the pm 2.5 below)
- Use none-water based lubricant  
(High efficiency of oil mist collecting)
- Low cost of Power  
(Can save the cost of power cause a little loss of wind power)
- Low vibration & noise  
(Improve of machining accuracy)
- Can collect the welding fume, gas smoke etc...



# Non Filter Oil Mist Cleaner

## A revolution of oil mist for Industrial & Tool M/C Small Electrostatic Precipitator

### Characteristics

- Collects smoke/odors, micro dust, and oil mist when working in a factory.
- YHB is here to resolve any complaints of local residents or other factories.
- Does not generate industrial wastes as it does not require filter replacement (material: aluminum).
- Prevents occupational diseases and improves productivity.
- Service dispatch in two days when requested.

### Expected Outcomes

- Protects the health of operators (prevents occupational diseases).
- Maintains the cleanliness of factories (prevents safety accidents).
- Improves efficiency of work (productivity).
- Easy to install and move (minimizes vibration and noise).

Washable  
filter

easy to install  
in limited spaces

removes smoke & odors  
(over 95% of smoke).

Cutting oil for industrial and machine tools (non-water-soluble).  
Small and lightweight unit that can be installed on top of machine tools.



YEC-10



YEC-20



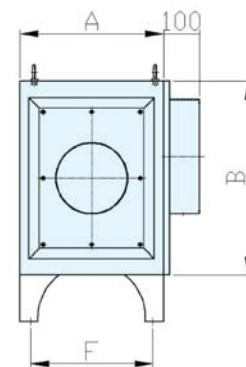
YEC-30



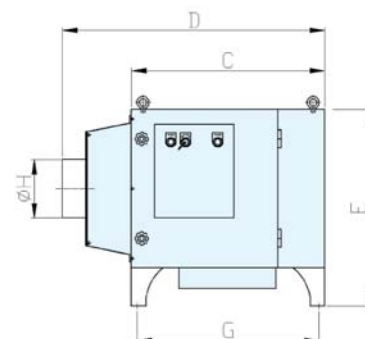
YEC-40

### Dimensions

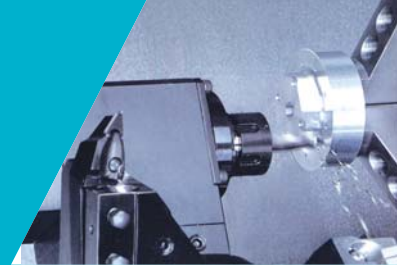
MODEL	A	B	C	D	E	F	G	ØH
YEC-10	230	430	530	750	550	180	475	100
YEC-20	270	520	550	770	630	220	500	125
YEC-30	330	520	550	770	630	270	500	150
YEC-40	500	520	550	770	630	450	500	200



MODEL	YEC-10	YEC-20	YEC-30	YEC-40
Voltage	Single 220V 60 Hz			
Consumption Power (W)	39	72	117	240
Ampere(A)	0.34	0.45	0.49	1.52
Fan Type	Backwardfan			
RPM	3200	2700	2650	2700
Wind Q'ty( m <sup>3</sup> /min)	5	7	10	15
Static Pressure(mmAq)	22	30	38	74
Noise(dB ±2)	60	63	70	76
Efficiency(%)	95	95	95	95
Weight(kg)	20	25	32	40



# Oil Skimmer



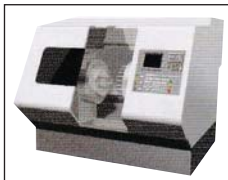
**USE** | All machine tools using cutting oil (CNC lathes, MCT, grinding machines, etc.)

Effect	Decomposition of cutting oil ↓	Order in workplace ↓	Industrial waste ↓	Production cost ↓
	Work environment ↑	Product quality ↑	Worker Health and Safety ↑	Tool life ↑

⇒ *Improved the environmental of factory*

⇒ *Keep the worker's safety & health*

⇒ *ECO Green Factory*



NC Lathe



Grinder M/C



Machining Center



YOS-40

## Features

- NBR Float Type
- Quick separation/discharge of waste oil
- Providing oxygen to cutting oil
- Easy to install and use
- Processing waste oil in any location

Easily install to take 5 minute only

Able to easily re-install

## Specifications YOS-40

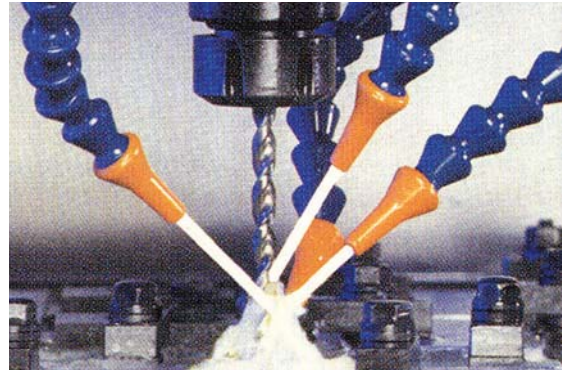
Content	Unit	Specification
Size	mm	320×430×320
Weight	kg	7.5
Power Supply	v	220
Pump	w	22
Pump flow	ℓ/min	2.0



## What is YHB's Oil Skimmer



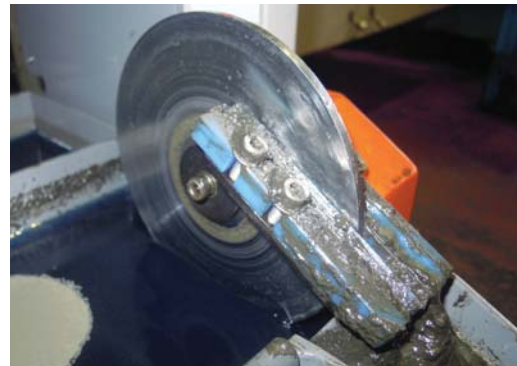
- Float Type – on patent to the Korean government
- Prevention of decomposition by vortex generated
- Easily install and small space
- Various model to deal the produced oil quantity
- Completely skim the water from oil
- Inspection window and Solid structure
- Continuously maintain the function of regardless of oil level



## Condition of Operate



before Operate



after Operate



Able to re-install of new place



Before Treatment



after Treatment

# Mist Cleaner

(High Temperature, Washing)

YMC-V Type  
**Mist Cleaner**



## Features

1. External motor type suction temperature (80 degrees) can be used
2. Without the need for separate stand can be installed on the mechanical equipment,



※ **Material** : STAINLESS STEEL

**Features** : corrosion resistant and suitable for cleaning equipment is designed.

Cleaner M/C for industrial m/c and machine tool



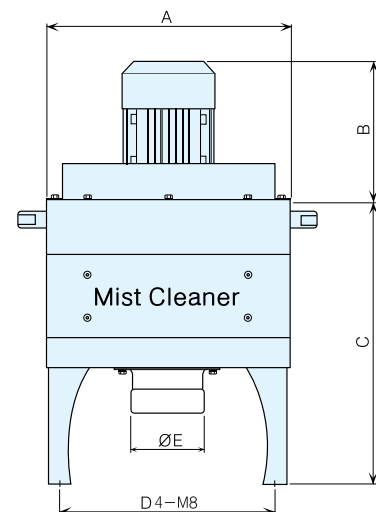
## Dimensions

Unit : mm

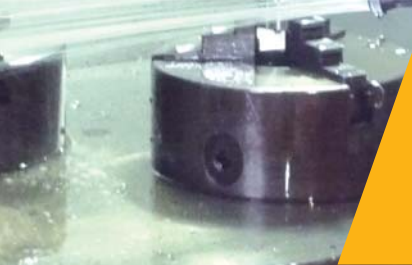
MODEL	A	B	C	D	∅ E
YMC-05V	380	234	480	330	100
YMC-10V	420	249	480	370	125
YMC-20V	504	306	585	454	150
YMC-30V	504	320	585	454	150

MODEL	YMC-05V	YMC-10V	YMC-20V	YMC-30V
Power (V)	220/380V (50/60Hz)			
Motor (Kw)	0,4	0,75	1,5	2,2
Ampere(A)	2,0 / 2,0	3,5 / 3,4	7,4 / 6,4	9,0 / 8,6
RPM (rpm)	3,450			
Wind flow rate (m <sup>3</sup> /min)	12	16	28	33
Static pressure (mmAq)	90	120	170	180
Noise (dB±2)	72	76	78	80
Efficiency (%)	95			
Thermal (c)	80			
In-let	100	125	150	150
Weight (kg)	30	36	68	70
Filter material	POLYESTER			

※ Above specifications are based on 60Hz, When applying 50Hz air volume is reduced by 20%.



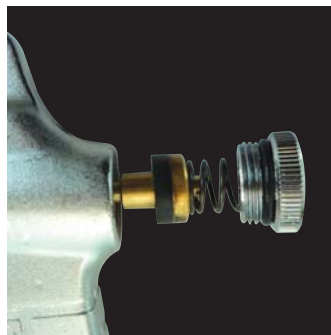
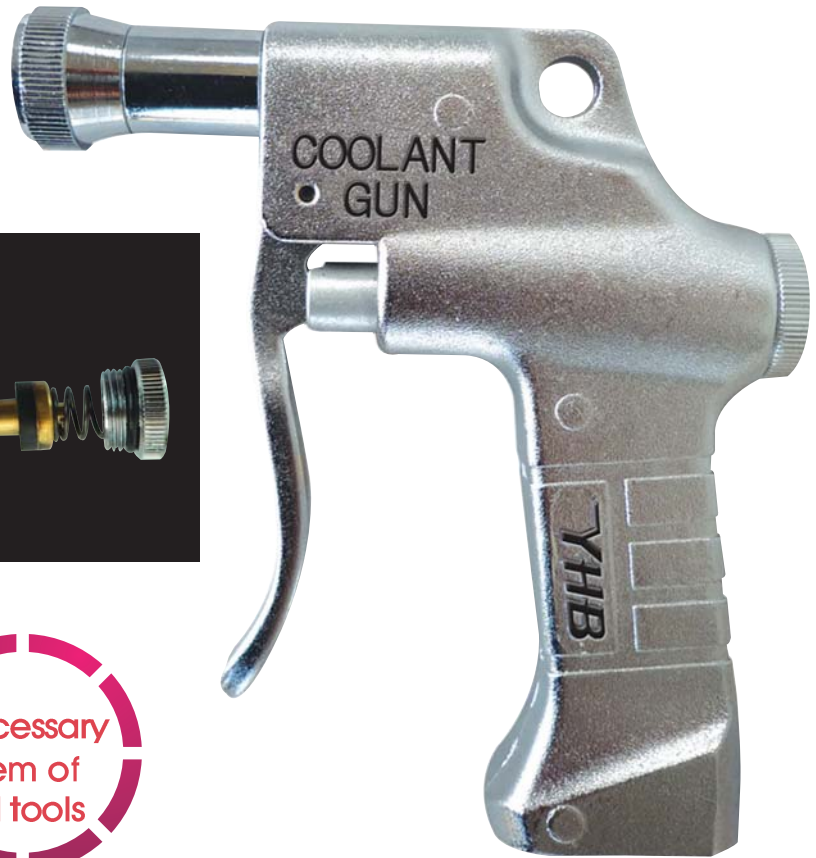




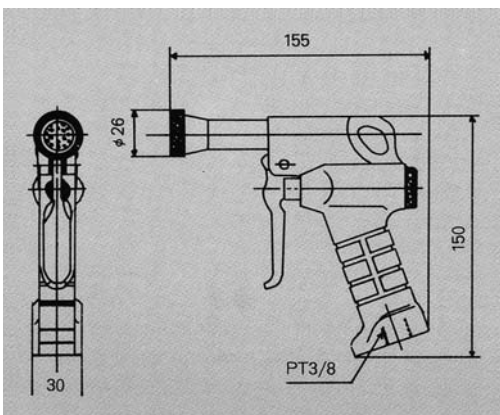
# Coolant Gun

**CoolantGun**

Use of Coolant gun for cleaning and cleaning of Exclusively tools, CNC Lathe, Milling M/C, Grinder etc... all tools using coolant



Necessary  
item of  
all tools



## Characteristic

1. Used to all type of lubricants
2. Main body's material is aluminum
3. Resist pressure : 5kg/cm<sup>2</sup>
4. Weight : 500

## Specification

- SCG 3/8"

## Installation

Easily install refer photo as connect to cutting oil tank

1. No damage of bed and sliding side
2. Produce the nozzle variously due to mechanical characteristics
3. Protect the contamination at cleaning after cutting process
4. Designed and manufactured for conveniently used

# Oil Mist Collector

YEC

Smog Catch



## Characteristic

- Collected the smoke/odor, dust, oil mist occurring in machine tool works
- Solving the civil appeal of environmental disruption
- Using the semi-permanent filter can reduce the industrial waste
- Prevented the occupational disease and increased the productivity

## Effects

- Preserved the worker's health
- Maintained the factory cleanliness
- Increased the productivity
- Easily install and migration

## Application

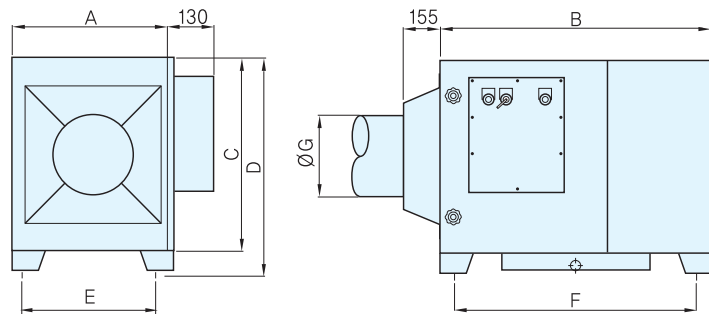
For Tool & Industrial m/c, Chemical Factory, Heat Treatment, Welding, Plastic, pharmaceutical, Steel, Sewing, Cast, Food, Injection molding, Printing, Cement and Electrical Factory etc.....



Model : YEC-10



Model : YEC-15.30



## Dimensions

MODEL	A	B	C	D	E	F	ø G
YEC-10	270	710	540	640	210	650	150
YEC-15	330	960	540	670	260	910	150
YEC-30	500	960	540	670	440	920	200

MODEL	YEC-10	YEC-15	YEC-30
Power	220V 60Hz		
Motor(Kw)	100	155	400
FAN	Backward	Sirocco	Sirocco
RPM	1410	1750	1750
Air Volumn(m <sup>3</sup> /min)	10	12	25
Static pressure(mmAq)	11	21	34
Sound Level(dB ±2)	55	62	68
Efficiency(%)	95	95	95
Weight (kg)	51	65	80



# Oil Mist Collector

YEC15/30V  
**Smog Catch**

Easily install of even small space

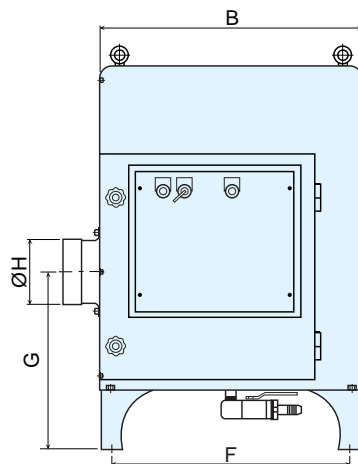
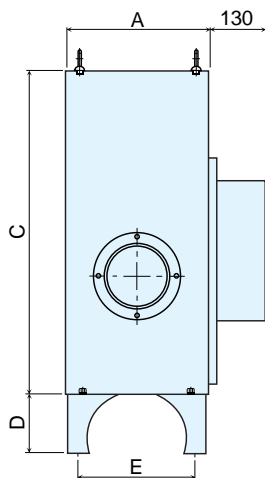
Able semi permanently re-use by filter cleaning



Model : YEC-15V



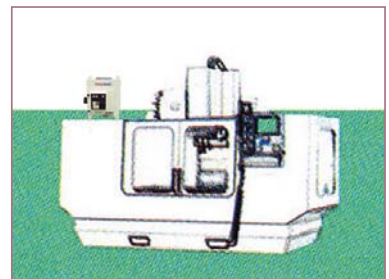
Model : YEC-30V



Eliminate 95% over of smoke and odor

## Dimensions

MODEL	A	B	C	D	E	F	G	φH
YEC-15V	330	610	740	135	270	550	405	148
YEC-30V	520	610	740	135	460	550	405	198



MODEL	YEC-15V	YEC-30V
Power	220V 60 Hz	
Motor(W)	240	340
FAN	Backward	Backward
RPM	2700	2700
Air Volum (m <sup>3</sup> /mh)	12	25
Static pressure(mmAq)	80	100
Sound Level(dB±2)	68	70
Efficiency(%)	95	95
Weight (kg)	50	62



# Oil Mist Collector

YGF999  
**Smog Catch**



## Characteristic

- Collected the smoke/odor, dust, oil mist occurring in machine tool works
- Solving the civil appeal of environmental disruption
- Using the semi-permanent filter can reduce the industrial waste
- Prevented the occupational disease and increased the productivity

## Application

For Tool & Industrial m/c, Chemical Factory, Heat Treatment, Welding, Plastic, pharmaceutical, Steel, Sewing, Cast, Food, Injection molding, Printing, Cement and Electrical Factory etc.....



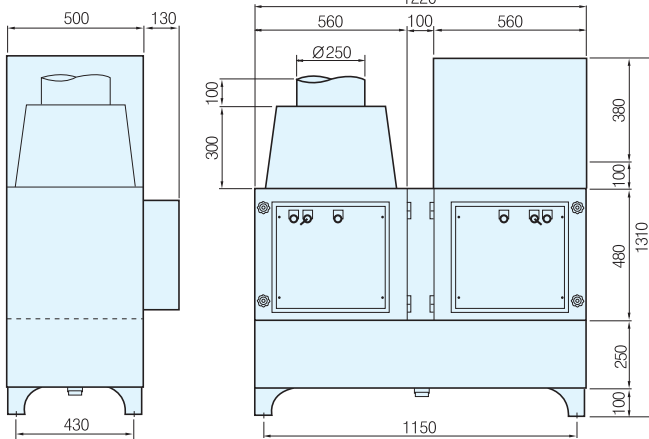
Model : YGF-999V



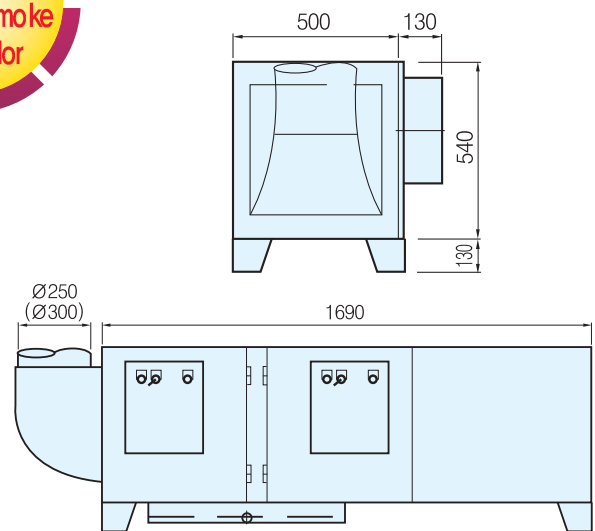
Able semi permanently re-use by filter cleaning

Model : YGF-999

Eliminate 95% over of smoke and odor



Model : YGF-999V



Model : YGF-999



## Specifications

MODEL	YGF-999	YGF-999V
Voltage	220V 60Hz	220V 60Hz
Power Consumption	490	490
FAN Type	Sirocco	Sirocco
RPM	1130	1130
Air Volume (m <sup>3</sup> /min)	43	43
static pressure (mmAq)	35	35
Sound Level (dB)	68±2	68±2
In, out let (ø)	250,300	250,300
Efficiency (%)	95	95

# No Blower Type

MUC-F  
**Smog Catch**



Able semi permanently re-use by filter cleaning

Eliminate 95% over of smoke and odor



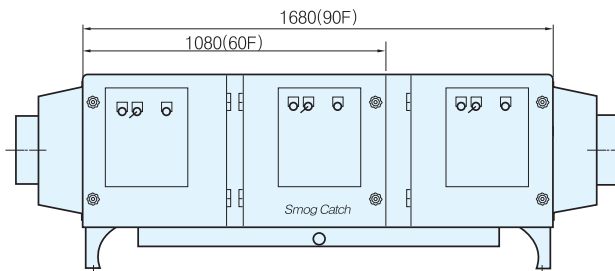
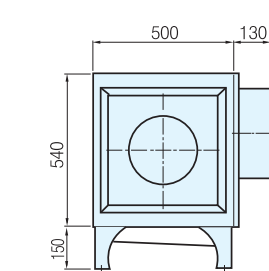
※ Order made (Stainless Steel)

## What is Clean Room

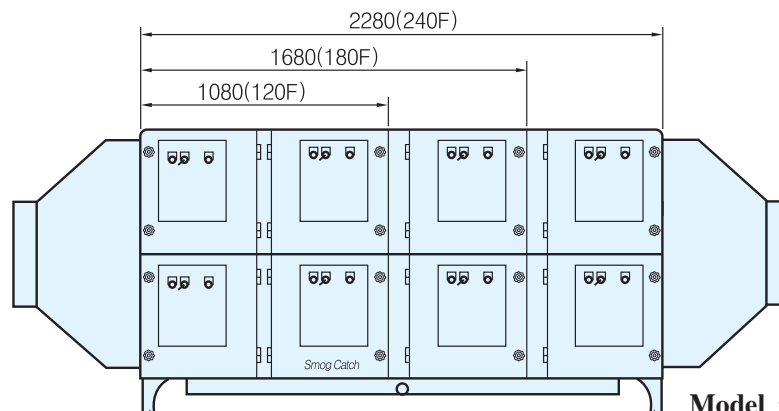
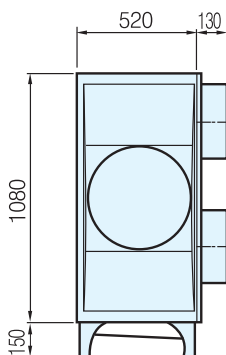
Recently, due to development of industry in electronics, precision machinery and high-tech, its products are required high-grade quality, precision, and reliability. For instance in the electronics plant, film factory or precision machine shop, a suspended particulate in the air can attach to a product being manufactured and causes the inferior goods, decreases productivity. As a result, it loses its reliability and increases cost as well. Thus, a whole factory or a workroom operating an important production requires to be maintained clean. We call a clean workroom meets this purpose 'industrial clean room', especially 'biological clean room' in the pharmaceutical factory, food factory and operating room of hospital.

## Application

- ▶ Semi-Conductor manufacture line
- ▶ ASIC manufacture line
- ▶ DVD manufacture line
- ▶ Pharmaceutical factory, Food factory, Hospital operating rooms
- ▶ Color Filter manufacture line
- ▶ LCD, TFD manufacture line
- ▶ Hard Disk manufacture line
- ▶ Photo Mask manufacture line



Model : MUC-60, 90F



Model : MUC-120, 180, 240F

# Welding fume equipment

YFC999  
**Smog Catch**



for Welding smoke, gas, Vapors, Aerosol, Solvent, Fume collection equipment collecting and eliminating various FUME

Able semi permanently re-use by filter cleaning



## Features

- Occupational disease due to welding work (prevention of asbestos and heavy metal inhalation)
- Cleaning and disposing through inhalation of smoke, gas, bad smell, steam and dust in case of welding
- Inhalation power is strong and convenient to move

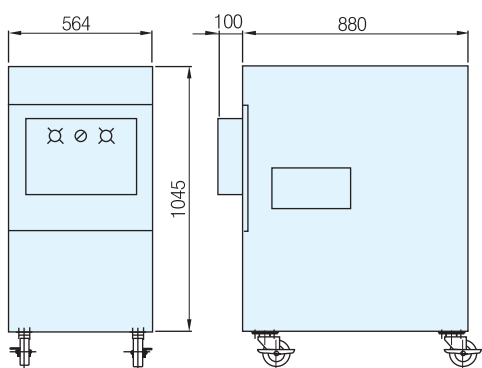
Eliminate 95% over of smoke and odor

Electro Precipitator



## Using

- Elimination of Welding minute powder, gas, smoke
- Elimination of substances generating bad smell



## Specifications

MODEL	YFC-999
Voltage	220V 60Hz
Power Consumption	400
FAN Type	Backward
RPM	1750
Air Volume (m <sup>3</sup> /min)	25
Static pressure (mmAq)	34
Sound Level (dB)	64 ± 2
In, out let (φ)	ARM φ 150 × 3M
Efficiency (%)	95



# Welding fume equipment

**Fume  
Jibjingsi**

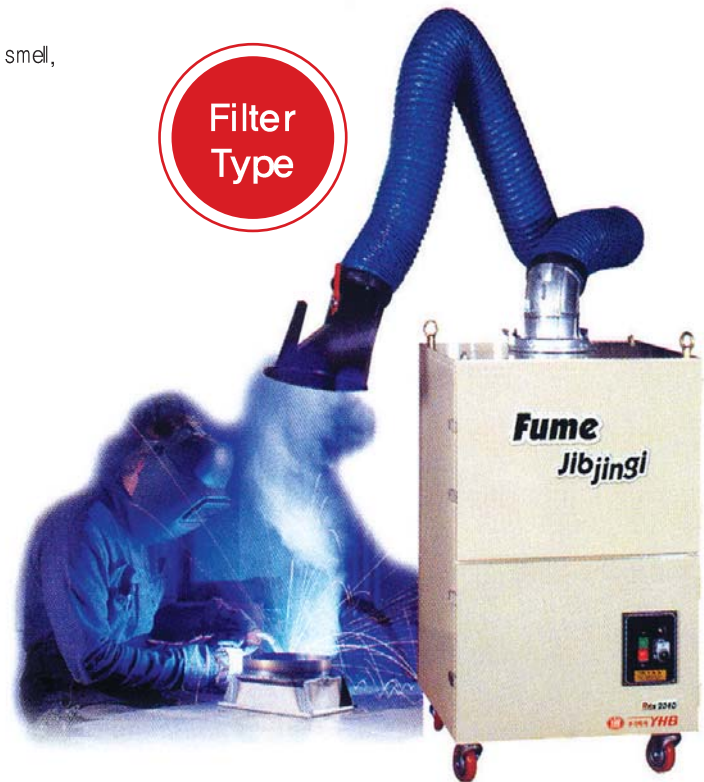
for Welding smoke, gas, Vapors, Aerosol, Solvent, Fume collection equipment collecting and eliminating various FUME

## Features

- Occupational disease due to welding work (prevention of asbestos and heavy metal inhalation)
- Cleaning and disposing through inhalation of smoke, gas, bad smell, steam and dust in case of welding
- Inhalation power is strong and convenient to move
- The filter exchange is 1 year (the standard of 1 day, 10 hours)

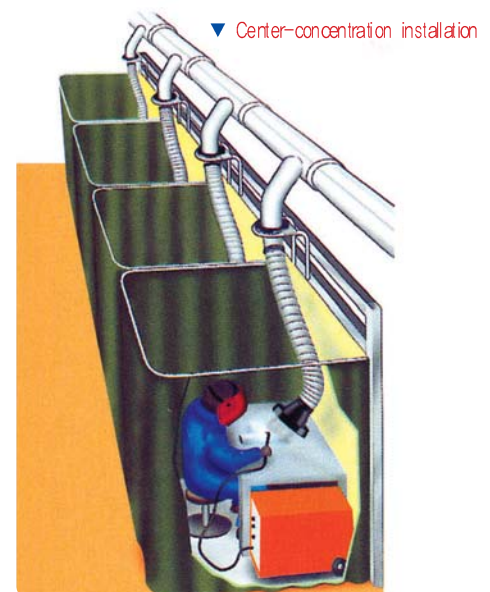
## Using

- Elimination of Welding minute powder, gas, smoke
- Elimination of substances generating bad smell



## Specification & Dimensions

MODEL		YFC-02	YFC-03	YFC-05
Dimension	Length	680mm	680mm	680mm
	Width	680mm	680mm	680mm
	Height	880mm	920mm	980mm
Fan Motor	Efficiency	1.5Kw × 2Pole	2.2Kw × 2Pole	3.7Kw × 2Pole
	Power	220V, 380, 440V/3/60Hz	220V, 380, 440V/3/60Hz	220V, 380, 440V/3/60Hz
Flexible Arm	Length	2/3/4m, 1Set	2/3/4m, 1Set	2/3/4m, 1Set
	Dia	∅ 150mm	∅ 150mm	∅ 150mm
Filter	Efficiency	99.97%	99.97%	99.97%
		19.3m <sup>3</sup>	19.3m <sup>3</sup>	19.3m <sup>3</sup>
		HEPA	HEPA	HEPA
Sound Level	Min	60dB(A)	65dB(A)	65dB(A)
	Max	65dB(A)	70dB(A)	70dB(A)
Turbo Fan	Air Volume	25m <sup>3</sup> /min	40m <sup>3</sup> /min	60m <sup>3</sup> /min
	Pressure	230mmAq	230mmAq	230mmAq
Weight(Filter, Arm)		62Kg	73Kg	82Kg



# Oil Mist Collector

**Oil Mist Collector**



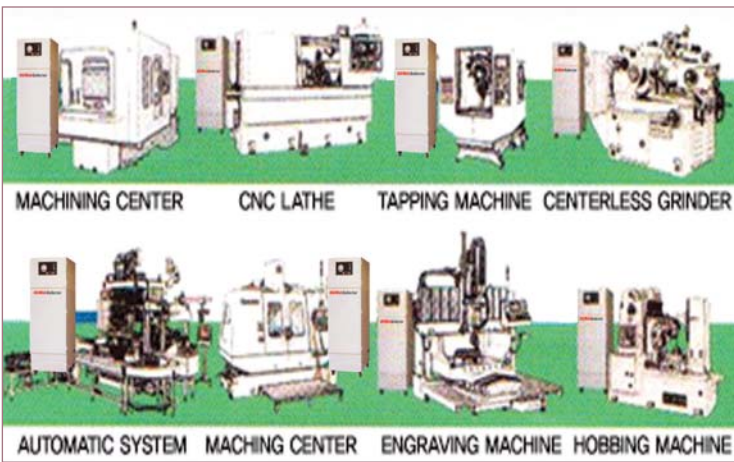
## Characteristics

1. Can collect 98% more of vertical and horizontal oil mist particle that happen in machine tool with a triple-structure-way filter.
2. Easily install as oil mist m/c be made simple and compact structure. Also, with setting at lower cost of dust hood, you can retrench your expenditure.
3. Can set up a mist cleaner in various types according to situation and connect it.(using type of vertical or horizontal) on directly machine tool with hood and duct.
4. Can replaceable the filter(as type of unit filter) without special tools.

## Application

- Lathe, Milling m/c , Grinder m/c, Boring m/c, Hopping Drill, Discharge of electricity m/c, Food factory etc.....

## Applications



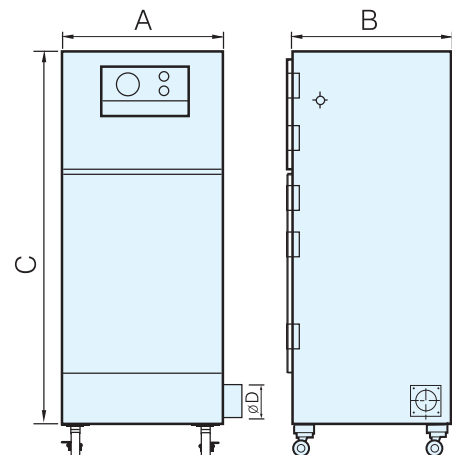
- Filter replacement period is one year. (the standard of 1 day, 10 hours)

## Dimensions

MODEL	YC-3000	YC-5000	YC-7500
A	780	780	1,500
B	780	780	780
C	1,800	1,900	2,150
D	200	250	300

MODEL	YC-3000	YC-5000	YC-7500
Power	220V/380V/440V (50/60Hz)		
Motor (Kw)	2,2	3,7	5,5
Air Volum (m <sup>3</sup> /min)	40	60	80
Static Pressure (mmA <sub>0</sub> )	210	210	230
Weight (kg)	280	340	600

※ Above specifications are based on 60Hz, When applying 50Hz air volume is reduced by 20%





# Dust Cleaner (Bag Filter Type)

**Dust Cleaner**

## Features

- Dust Filtration method
  - Automatic shaking—Automatically de-dusting equipped with a low-speed motor
  - Manually shaking—Manually de-dusting by a shaking bar
- Integrated structure \_ filter is easy to replace
- It can be collected fine dust because of using wide filtration area by square flat filter
- Filter attachment type is top and bottom which is easy to replace



- Filter replacement period is one year.  
(the standard of 1 day, 10 hours)



YDB TYPE

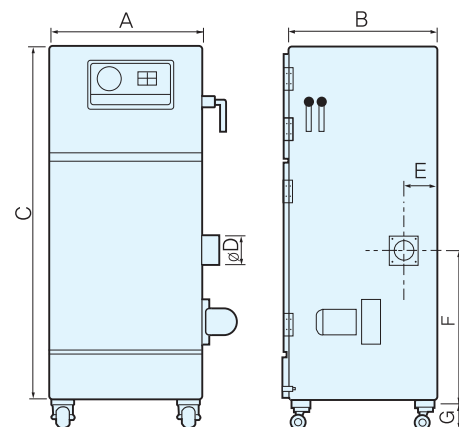
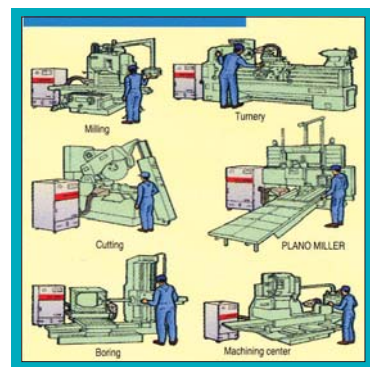
## Dimensions

MODEL	YDB-01	YDB-02	YDB-03	YDB-05	YDB-07
A	520	620	790	790	1,500
B	520	620	790	790	750
C	1,150	1,380	1,785	1,785	1,850
D	125	150	200	250	300
E	160	180	200	200	200
F	480	585	735	735	350
G	140	140	140	140	140

MODEL	YDB-01	YDB-02	YDB-03	YDB-05	YDB-07
Power	220V 380V	220V/380V/440V (50/60Hz)			
Motor(Kw)	0,75	1,5	2,2	3,7	5,5
Air Volumn (m <sup>3</sup> /min)	12	25	40	60	80
Static Pressure(mmAq)	210	210	210	250	250
BOX Size (L)	25	35	50	55	85
Weight (kg)	100	140	185	195	340
Material	Polyester BAG	Polyester BAG	Polyester BAG	Polyester BAG	Polyester BAG

\* Above specifications are based on 60Hz, When applying 50Hz air volume is reduced by 20%.

In case of processing of machine motting & cutting, as the use for elimination of powder, a accomplishment of excellent capacity

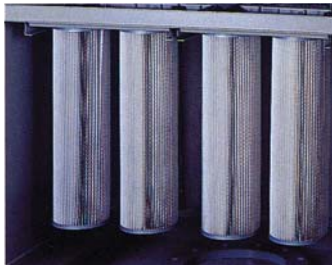


# Dust Cleaer (Cartridge Filter Type) **DustCleaner**



## Features

- Automatically off the dust on filter by Air Pulse type.
- Filter produced in a cartridge shape, wide filtration area.
- Filter replacement easy to fit the type of filter can be applied.
- The suction power is powerful, easy to move.



- Filter replacement period is one year.  
(the standard of 1 day, 10 hours)

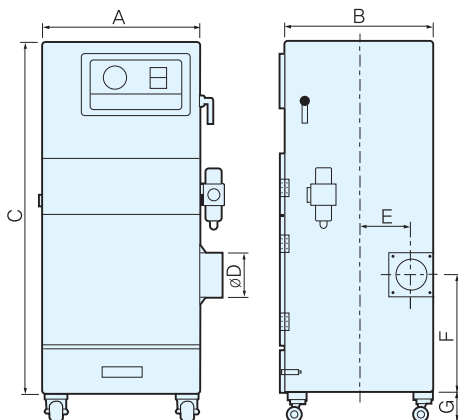


## Dimensions

MODEL	YDC-01	YDC-02	YDC-03	YDC-05	YDC-07	YDC-10	YDC-15
A	520	650	800	900	1,300	1,700	1,700
B	520	650	800	900	900	900	900
C	1,530	1,595	1,780	1,840	1,840	1,840	1,970
D	125	150	200	250	300	350	400
E	125	150	175	225	240	190	190
F	350	370	550	370	400	480	490
G	140	140	140	140	140	140	140

MODEL	YDC-01	YDC-02	YDC-03	YDC-05	YDC-07	YDC-10	YDC-15
Power	220V/380V/440V (50/60Hz)						
Motor (Kw)	0,76	1,5	2,2	3,7	5,5	7,5	5,5×2
Air Volum n	12	25	40	60	80	100	130
Static Pressure	230	210	210	210	230	230	230
BOX Size	25	30	40	50	85	110	110
Weight	155	230	310	390	490	590	740
Ma teria l	Pol yeater cartridge 6	Pol yeater cartridge 6	Pol yeater cartridge 9	Pol yeater cartridge 12	Pol yeater cartridge 18	Pol yeater cartridge 24	Pol yeater cartridge 24

\* Above specifications are based on 60Hz, When applying 50Hz air volume is reduced by 20%



# Cyclone dust Cleaner

**Dust Cleaner**



YDC-02C/03C / YDC-05C / YDC-07C/10C

## Features

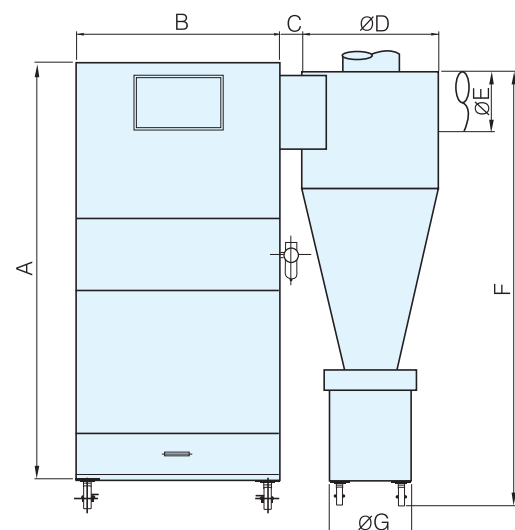
- Cyclone region collects heavy dust in first, causes filter life extended.
- Easy to move, 24 hour continuous use is possible.
- Cyclone method—dust collection uses the principle of centrifugal force and gravity setting.
- To inform the dust accumulation fact with NANOMETER attachments.
- It can save the maintenance expense which is caused by with filter replacement.
- The high-performance turbo fan in compliance with a special design and increased a suction power.
- It is excellent to dispose minute dust such as powder and smoking dust

## Specification & Dimensions

MODEL	A	B	C	øD	øE	F	øG
YDC-02C	1595	650	95	380	150	1280	280
YDC-03C	1780	800	95	500	200	1660	360
YDC-05C	1840	900	95	600	250	2110	360
YDC-07C	1840	1300	95	700	300	2180	460
YDC-10C	1840	1700	95	900	400	2580	460

MODEL	YDC-02C	YDC-03C	YDC-05C	YDC-07C	YDC-10C
Power	220V/380V/440V (50/60Hz)				
Kw	1.5	2.2	3.7	5.5	7.5
Air Volumn	20	32	48	64	80
Static Pressure	250	230	230	250	250
BOX Size	68±2	70±2	70±2	72±2	74±2
Weight	290	380	420	510	650
Material	Polyester cartridge 6	Polyester cartridge 9	Polyester cartridge 12	Polyester cartridge 18	Polyester cartridge 24

- ※ Above specifications are based on 60Hz, When applying 50Hz air volume is reduced by 20%
- ※ Cyclone less than 250the body-mounted.
- ※ Cyclone more than 300the body-separated.



## New Products & Vision



**YHB** Inc. **YHB ECO**  
<http://www.yhbeco.com>

• **Main Office**

14, Gasan digital 2-ro, Geumcheon-gu, Seoul, KOREA Daerung-tech notown 12-516 ho  
TEL : +82-2-2029-6400~3, A/S : 0502-080-6633  
FAX : +82-2-2029-6404 E-mail : yhbcom@hanmail.net / yhb5303@naver.com

• **Factory**

74, Hanamsandan 7beon-ro, Gwangsan-gu, Gwangju, KOREA  
TEL : +82-62-952-6633, +82-62-951-2285~6 FAX : +82-62-952-6635

• **Jeollabuk-do Office**

41, Seogam-ro 1-gil, Iksan-si, Jeollabuk-do, KOREA  
TEL : +82-63-835-4771 FAX : +82-63-835-4776

• **Technical Research Center**

107, Hanamsandan 9beon-ro, Gwangsan-gu, Gwangju, KOREA  
TEL : +82-62-351-6633 FAX : +82-62-351-6633  
<http://www.yhb.co.kr>