

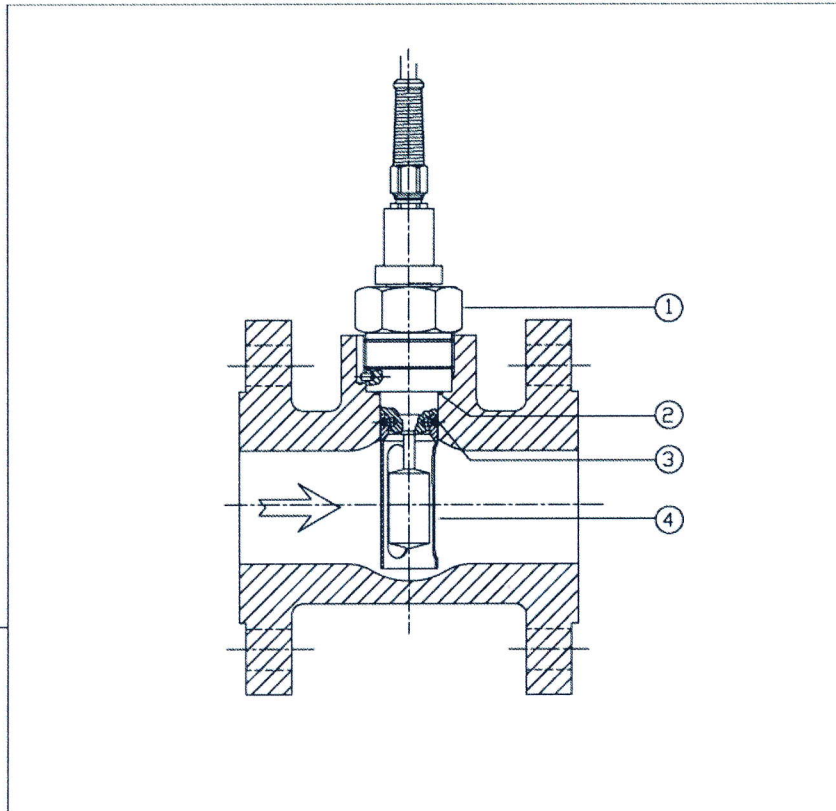
19. ПЕРЕЧЕНЬ ЭЛЕМЕНТОВ

Запасные части:

0279-0096PH состоящий из 0279-0096 ViscoSense®2 датчик

0279-0102 Электронный ключ

19.1 ДАТЧИК VISCOSENSE®2



ITEM No.	PART NUMBER	QTY	DESCRIPTION	MATERIAL
1	0279-0096	1	ViscoSense SENSOR	AISI 316L
2	0630-3022	1	O-RING, ID 25.12xØ1.78 mm	VITON
3	1731-0404	2	HEX SET SCREW M4x4mm DIN 916	AISI 316
4	0442-0326	1	FLOW TUBE	AISI 316L

EXTERN CONNECTION DIAGRAM: 0820-2023-4

		VAF INSTRUMENTS		DATE : 21-03-2011
				DRAWN : PPS
		PARTS LIST SENSOR VS2		CHECKED : <i>HR</i>
				MATERIAL : -
				SEMI MAT. : -
				0820-1230-4
				C
				REV
C	FLOWTUBE 3 SLOTS	11-11-11	Wp	PART OF
B	LOGO GEWIJZIGD	21-03-11	PPS	
No.	DESCRIPTION	DATE	PAR	

DIMENSIONS IN mm



THIS CONFIDENTIAL DOCUMENT IS THE SOLE PROPERTY OF VAF INSTRUMENTS
IT MUST NOT BE REPRODUCED IN ANY MATERIAL FORM, OR ITS CONTENTS
REVEALED TO A THIRD PARTY WITHOUT PRIOR WRITTEN AUTHORIZATION.