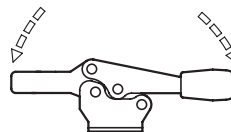
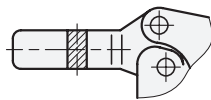


Operating principle



ROSTFREI
Rost
frei
Inox
Stainless
Steel

2 Type

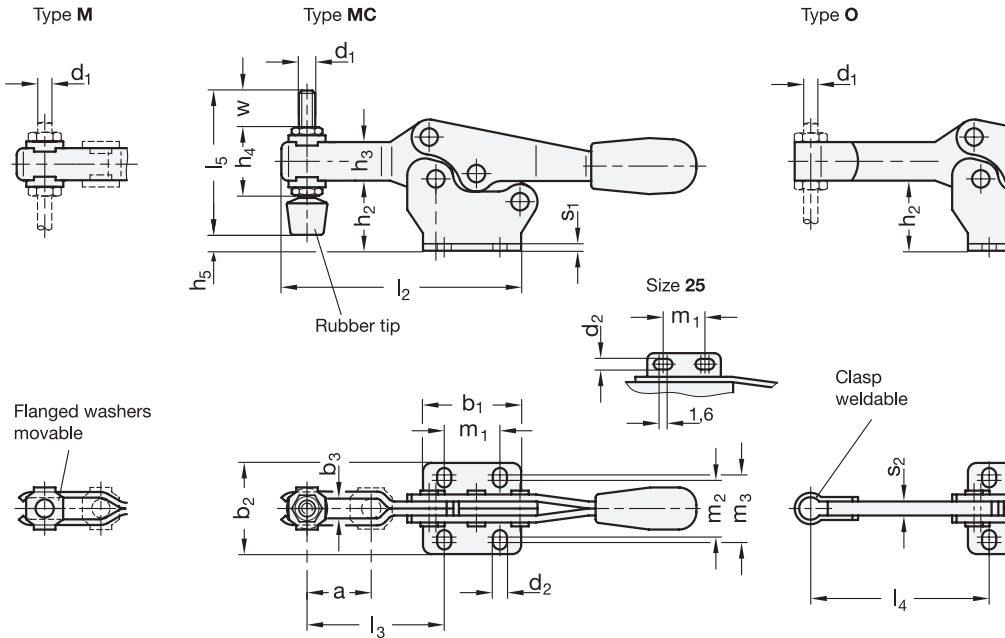
- M** U-bar version, with two flanged washers
- MC** U-bar version, with two flanged washers and clamping screw GN 708.1
- O** Solid bar version, with clasp



Size	Steel	Stainless Steel	F _H in N Holding capacity	a ≈	b ₁	b ₂	b ₃	d ₁	d ₂	h ₁ ≈	h ₂	h ₃	h ₄	h ₅ max.
25*	25*	25*	400	10	24	24,5	4,3	M 4	4,3	23	12	7	13,5	-
75	75	75	900	20	28	26	5,5	M 5	4,5	37	20	11	19	5
130	130	130	1000	32	36	40	6,5	M 6	5,5	51	30,5	16	25,5	14
230	230	230	1700	37	44	42	8,5	M 8	6,5	61,5	36,5	18	30	12,5
355	-	-	1800	58	60	56	10,4	M 10	8,5	83	50	22	37	23,5
455	-	-	3200	65	70	65	12,4	M 12	8,5	98,5	60	26	43	27,5

Size	Steel	Stainless Steel	l ₁ ≈	l ₂ ≈	l ₃ ≈	l ₄ max.	l ₅	m ₁	m ₂	m ₃	r	s ₁	s ₂	w Adjustable range
25*	25*	25*	69	43	20	-	-	15	16	16	24,5	1,2	-	-
75	75	75	118	67	40	49,5	45	13,5	16	19	43	2	4	15
130	130	130	168	92	53	64	55	26	22,4	28,4	62	2,5	5	17,5
230	230	230	196	110	63,5	78	68	26	26	31,5	72	3	6	20
355	-	-	270	161	96	115	77	41	38,8	43	108,5	3,5	7	19
455	-	-	309	186	116	135	100	41,5	40	43	126	4	10	33

* Size 25 only available as type M



Specification

- Steel —
 - Case-hardened steel C10 zinc plated, blue passivated
 - Bearing pins tempered
 - Bearing rivets (for size 355 and up) case-hardened
- Stainless Steel AISI 304 **NI**
- All moving parts lubricated with special grease
- Hand grip High quality, oil resistant, red plastic
- Clamping screw GN 708.1, type A
 - Steel, zinc plated / Stainless Steel, AISI 304
 - Rubber tip 85 Shore A
- RoHS

Accessory

- Clamping screws → Page 585 ff.
- Holders for clamping screws GN 801 (for type M) → Page 590
- Holders for clamping screws GN 809 (for type O) → Page 591
- Clamping arm extenders GN 801.1 (for type M) → New products
- Clamping arm extenders GN 801.2 (for type M) → New products
- Clamping arm extenders GN 809.1 (for type O) → New products

Information

GN 820 toggle clamps work according to the toggle principle: lever and clamping bar move in the opposite direction.

They require less space for the clamping action. In the clamped position the operating lever is in its horizontal position.

Toggle clamps in the U-bar version with two flanged washers (type M) can accommodate an application specific clamping screw. A clamping screw with neoprene rubber tip is also included for type MC.

Toggle clamps in the type O version can either be utilized by welding the clasp which can then accommodate an application specific hold-down fastener component, or by utilizing the bar in conjunction with the GN 809 holders for clamping screws to hold the work piece in place.

see also...

- General information for toggle clamps → Page 500
- Horizontal acting toggle clamps GN 820.1 (with vertical base) → Page 522

How to order (Steel)	
1	Size
2	Type
GN 820-355-M	

How to order (Stainless Steel)	
1	Size
2	Type
3	Material
GN 820-75-M-NI	

