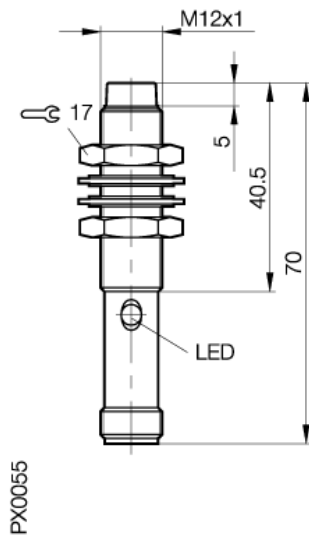


BES 516-356-S 4-C
BES01H6

PNP
NO
non flush mountable



Electrical data:

Time delay before availability	10 ms
Switching element function	NO
Load current capacity (I _e)	200 mA
Off-state current max (I _r)	10 µA
Ripple max. of U _e	= 15 %
Supply voltage max. (U _b)	30 V
Rated operational voltage (U _e)	24 DC V
Utilization category	DC 13
Hysteresis max (H)	15 %
Switching output	PNP
Supply voltage min. (U _b)	10 V
Connection	Connector S4 (M12)
Electrical type	DC
No-load supply current damped	= 8 mA
Operating frequency (f)	1500 Hz
Voltage drop max. static	1,5 V

General data:

Insulation class	2
Degree of protection IP	IP68 per BWN Pr 20
Output indication	yes
Short circuit protected	yes
Protected against polarity reversal	yes
Approval	CE,c_ul_us

Wiring:



Pinout:



Mechanical data:

Diameter	M12x1 mm
Housing material	corrosion resistance Steel
Repeat accuracy max. (R)	5 %
Assured operating distance	0...3,2 mm
Ambient temperature max	+85 °C
Ambient temperature min	-40 °C
Rated operating distance (sn)	4 mm
Sensing face material	PA 12
Number of Wires	3-wire
Tightening torque	20 Nm
Mounting	non flush mountable
Degree of pollution	3