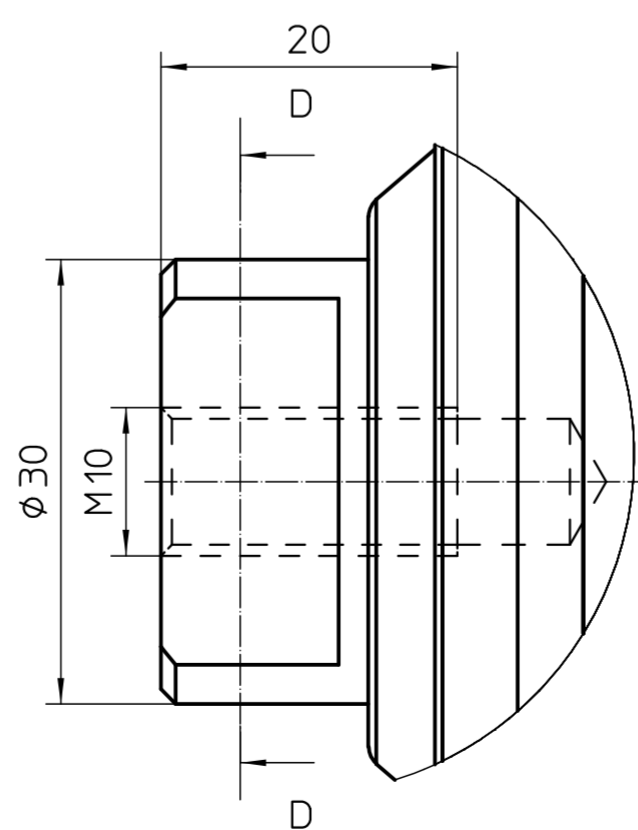
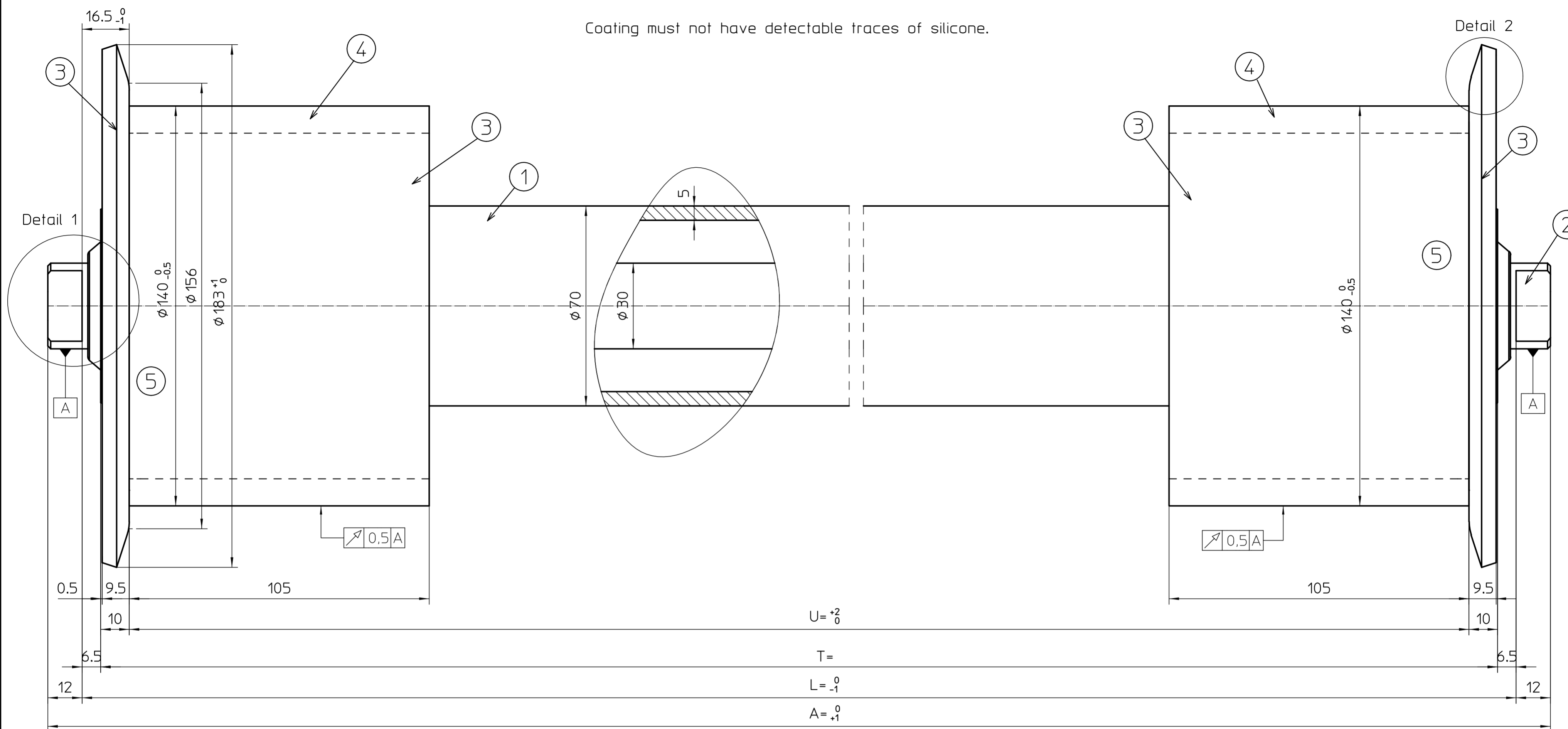
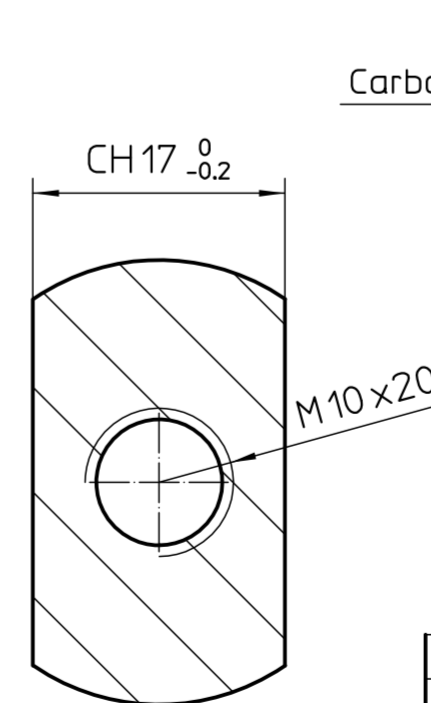


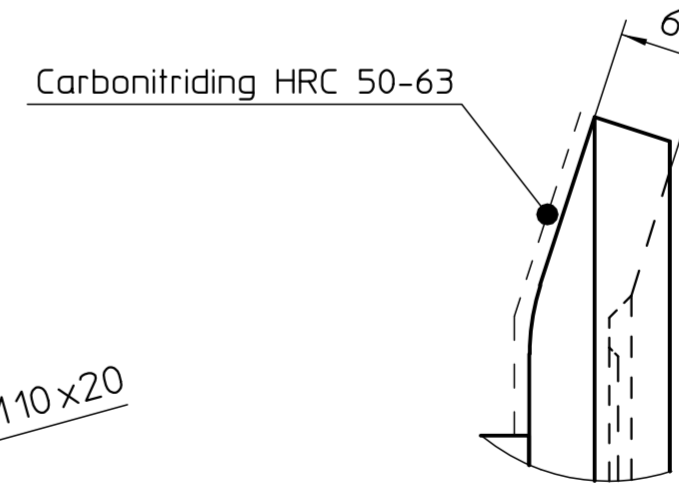
Coating must not have detectable traces of silicone.



Detail 1
2:1



D-D
2:1



Detail 2
2:1

1	Tube dia. 70x5 mm EN 10025-S235 or similar/higher.
2	Axle dia. 30 mm EN 10025-S235 M10x20 and milled ends dim. 17x12 mm.
3	Flange dia. 183x6 (hardened) and flange dia. 112x5 mm made by EN 10111 DD11 or similar/higher.
4	Polyurethane coating hardness 95 +/-3 Shore A.
5	Single row rigid radial precision bearings type 6206-2RS lifetime lubrication.

Carbonitriding HRC 50-63

DRAWING FOR CUSTOMER

DESCRIZIONE ULTIMA MODIFICA		ESEGUITA	APPROV.
01	Aggiornamento generale e conversione modello CAD 3D.	Pace	Gamberini
RULLO SKID D140/70/30		TOLLERANZE DIM. E FORMA: T268-01-00	
-		SALDATURE: T287-01-00	
DUGOMRULLI Moving solutions		MODIFICHE	
DIS. Chiodi	DATA 16/12/09	SCALA 1:1	FORM. A2
CONTR. Chiodi	APPROV. Brizzi	PESO -	
DIS.N. 329735F		DATA 05/11/09 2613.0	
SOSTITUISCE -		00 16/12/09 2313.1	
		01 21/09/16 3965	