



DC SD5012PT



## 50x50x12mm / 2x0.47inch Sinwan DC Fan, 14~7 CFM

Model No	Rated Volt	Voltage Range	Input Power	Rated Current	Ref. Speed	Max. Airflow		Max. Static Pressure		Noise Level	PQ Curves
	VDC	VDC	Watt	A	RPM	CFM	m3/min	Inch/H2O	mm		
SD5012PT-05H	5	4~7	0.7	0.13	4500	11	0.3	0.1	2.54	26	H
SD5012PT-05M	5	4~7	0.5	0.10	4000	9	0.3	0.091	2.31	25	M
SD5012PT-05L	5	4~7	0.4	0.08	3500	7	0.2	0.071	1.8	24	L
SD5012PT-12H	12	8~13.8	1.1	0.09	4500	11	0.3	0.1	2.54	26	H
SD5012PT-12M	12	8~13.8	0.9	0.07	4000	9	0.3	0.091	2.31	25	M
SD5012PT-12L	12	8~14	0.8	0.06	3500	7	0.2	0.071	1.8	24	L
<b>SD5012PT-24H(HH)</b>	24	12~27.6	1.5	0.06	5700	14	0.4	0.11	2.79	28	HH
SD5012PT-24H	24	12~27.6	1.5	0.06	4500	11	0.3	0.1	2.54	26	H
SD5012PT-24M	24	12~27.6	1.2	0.05	4000	9	0.3	0.091	2.31	25	M
SD5012PT-24L	24	12~27.6	1	0.04	3500	7	0.2	0.071	1.8	24	L
SD5012PT-48H(HH)	48	24~54	1.9	0.04	5700	14	0.4	0.11	2.79	28	HH

- \*\* = "WB" for wire lead type Ball bearing, or "TB" for terminal type Ball bearing
- \*\* = "WB" for wire lead type Ball bearing, or "TB" for terminal type Ball bearing
- Sinwan reserves the right to change data and improve electrical & mechanical design without notice, data tolerance +-10%

**Motor**

Motor Type: Brushless DC Motor, auto cutoff auto restart optional only

Burnout Protection: Electronically protected, polarity protected

IP Protection: Ratings on request

**Mechanical**

Frame: Glass fiber reinforced thermoplastic, rated UL94V-0 (PT)

Impeller: 7 blades, glass fiber reinforced plastic, rated UL94V-0

Bearing: Two ball bearings

Rotation: CCW seen on rotor

Connection: Wire lead or terminal flat pin connecting

Weight: 20 g (0.044 Lbs)

**Electrical**

Dielectric Strength: 500 VAC/min. Max leakage 500mA

Speed Control: On request

Signal Output: Optional: R/D alarm output, tachometer output

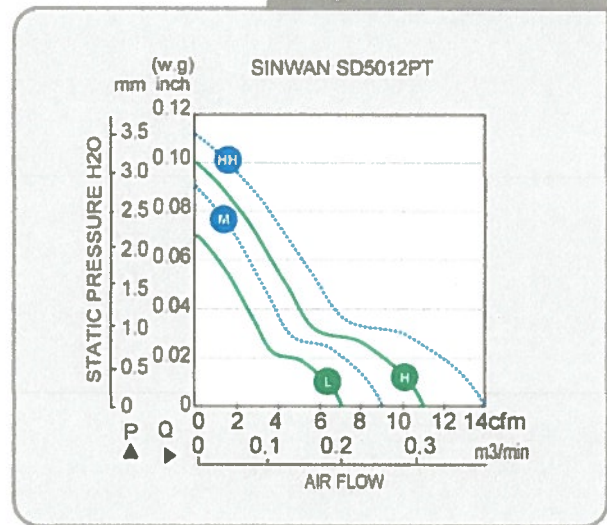
**Environment**

Operating Temp: Ambient non-condensing -15~+65C

Storage Temp: -25C~+70C (at 65%RH)

Life Expectancy: L10 55K hours at 45C, 40K hours at 60C

▶ Performance P-Q Curves

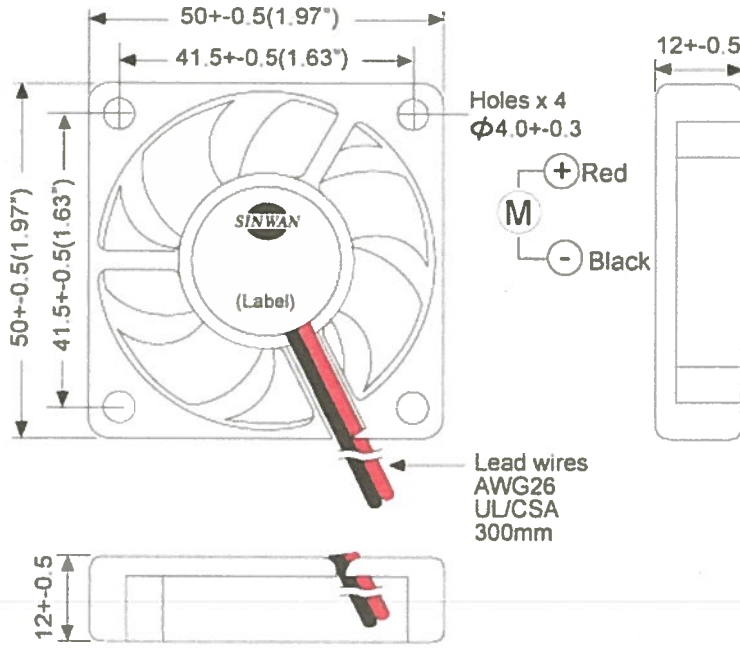


Relevant products



Metal Fan Guard  
G50-3

▶ Outline Dimensions



SINWAN Email: [sinwanfan@sinwan.com.tw](mailto:sinwanfan@sinwan.com.tw) <http://www.sinwan.com.tw>

