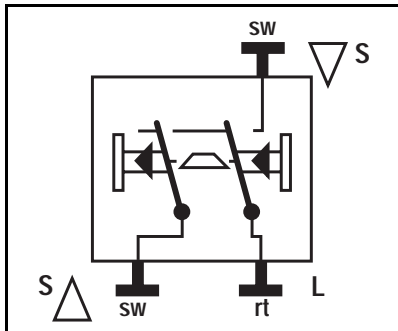


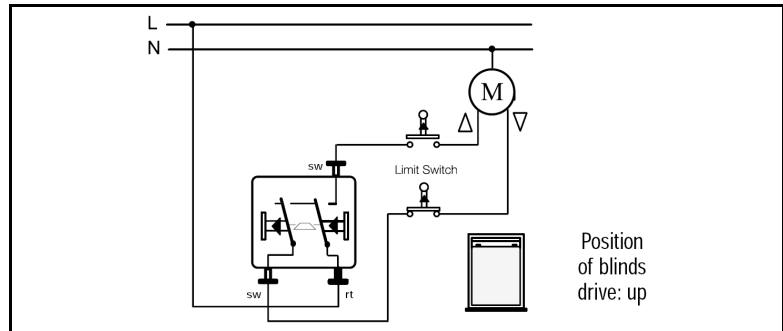
Description: 2-gang blind push-button insert
(1-pole push-button)

Ref.-no.: 539 VU

Mechanical interlocking to avoid switching of both rockers at the same time.



Contact assignments



Wiring diagrams
539 VU

Technical data

Switching voltage:	AC 250 V ~
Switching current:	10 AX
Connection:	screwless terminals
Switch type:	1-pole push-button (1 motor)