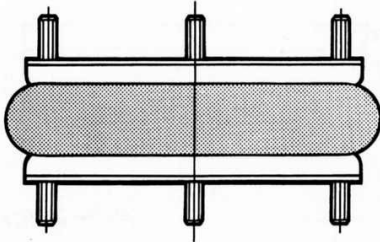


8" x 1

PART NUMBER	TYPE	RUBBER	INLET
PNP 30406 02 00	Bellow	Standard	N/A
PNP 30550 01 10	Assembly	Standard	1/2" BSP
A 3 1475 0B 26	Bellow	Butyl	N/A
Contact Dunlop	Assembly	Butyl	1/2" BSP

Conditions of Use

Maximum Working Pressure	8bar
Burst Pressure	35bar
Maximum Angle between Top & Bottom Plates	15°
Maximum Axial Offset	10mm



Precautions to Observe

- Do not exceed stated stroke.
- Do not inflate assembly when it is unrestricted.
- Do not inflate beyond pressures stated without prior consultation with Dunlop.
- Respect maximum and minimum heights.
- The bellows must be securely fixed.
- Do not use without air pressure.

Operating Temperature

Standard Rubber...

Minimum -30°C (-40°C Static)
Maximum +70°C (+90°C Static)

Chlorobutyl Rubber...

Minimum -25°C (-30°C Static)
Maximum +90°C (+115°C Static)

Materials

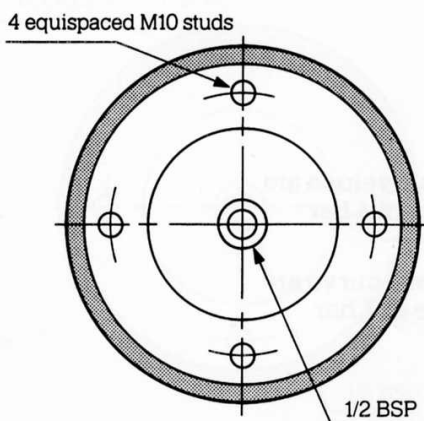
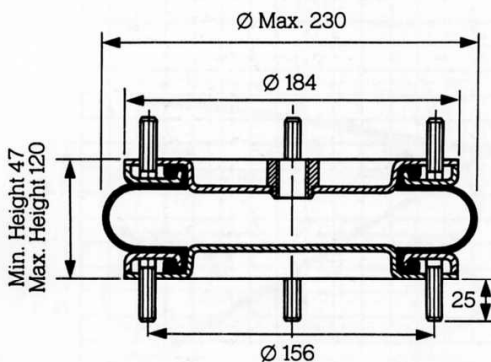
- Bellows : Various rubbers - 'Standard' and 'Chlorobutyl' (High Temperature)
- Metal parts : mild steel, protected by zinc passivate and yellow chromate

Note

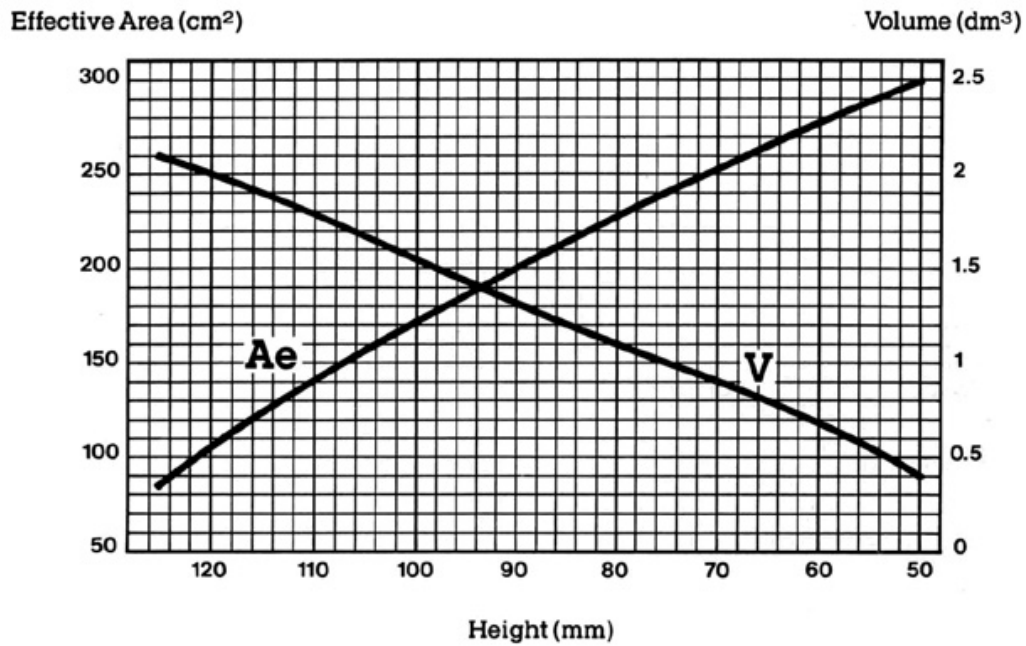
This bellow assembly can be completely dismantled

Dimensions

Maximum Diameter	230mm
Space Required	240mm
Minimum Height	47mm
Maximum Height	120mm
Total Stroke	73mm
Static Height	90mm
Effective Area at Static Height	200cm ²
Bellows Weight	3.05kg



**Effective Area/Height
Volume/Height**



Ae Effective Area cm²

V Volume dm³

The effective area curve values are measured at a pressure of 4 bar (0.4 MPa).

The values of the volume curve are measured at a pressure of 7 bar (0.7 MPa).