
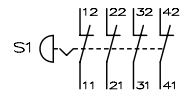
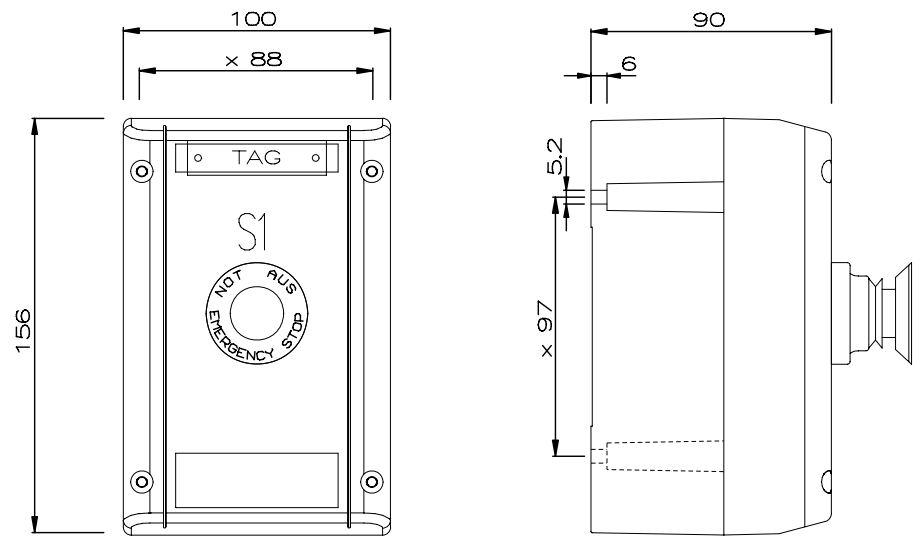


X= fixing dimension
enclosure: Thermoplast

	GHG4320014R9026 www.ceag.de	U _i 690V AC I _{the} 16A
	IIC G Ex d e IIC T6	IECEx BK1 04.0003 PTB 00 ATEX 3117



internal earth plate
3x M20 blind plugs

"Protective note according as DIN 34"

Rev.s	Revision	date	name	Regul.	Orig.	Repl. o	Repl. f.	Order-No.	Doc. No.	Sheet 1
								Constructor	Drawing No.	of. sh. 1
									GHG4320014R9026	

