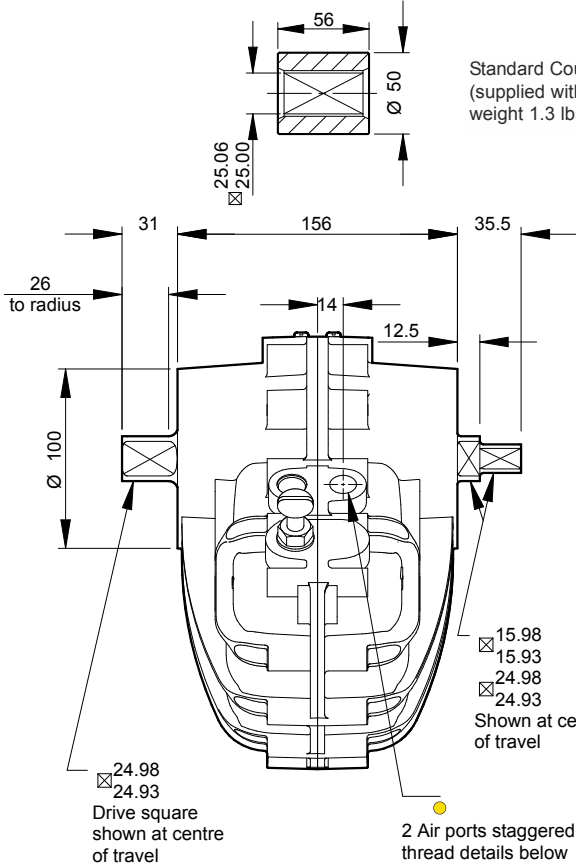
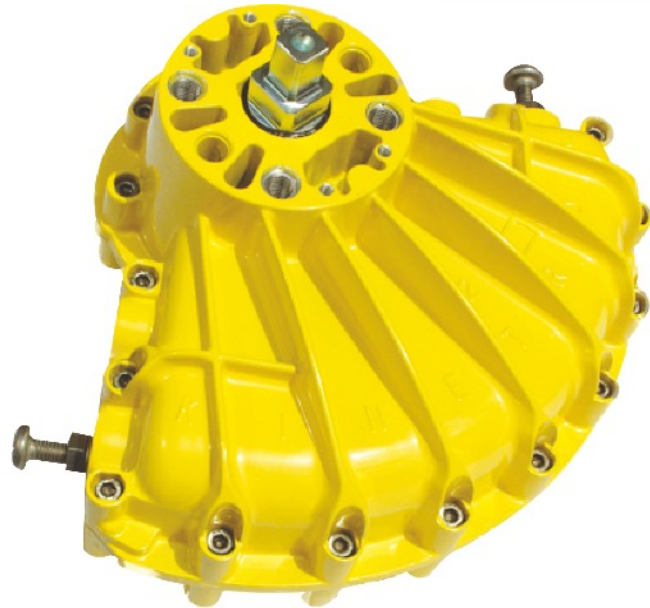


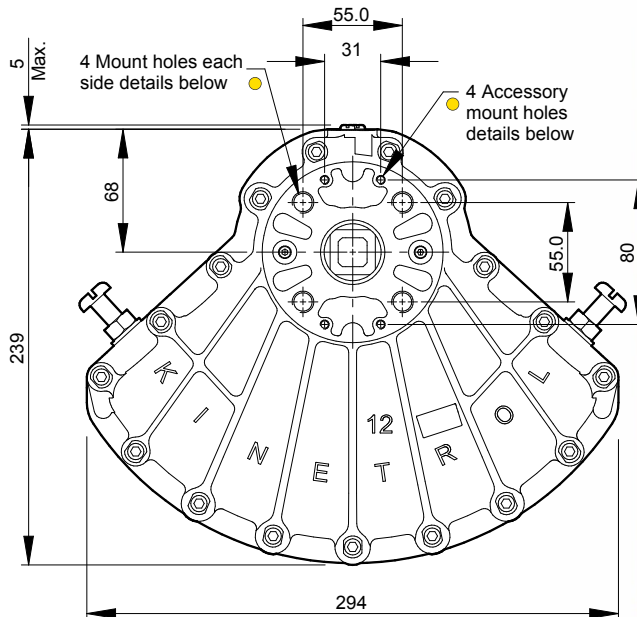
Standard Coupling
(supplied with actuator
weight 1.3 lbs/0.6 kg)



● Air Port/Mount Hole Details

| Model | Air Ports | Mount Holes & Accessory Mount Holes |
|---------|-------------------------------|---|
| 124-100 | G ³ / ₈ | 4 x M12 x 24 deep on 77.8 PCD 4 x M5 x 10 deep |
| 127-100 | 3/8 NPT | 4 x 1/2 - 13 UNC x 0.94" deep on 3.06" PCD 4 x 10-24 x 3/8" deep |

Visual Red Indicator supplied as standard - see page 3



Specification

Output Torque

5000 lbf ins/575 Nm
at 100 psi/7 bar

Angle of Travel (adjustable)

80° - 102°
(restricted travel
versions available)

Displaced Volume

86 in³/1410 cm³

Finish

Epoxy stove enamel

Weight

15.2 lb/6.9 kg
(excluding coupling)

For further information
see General
Specification on
page 50.

Options

- Fail safe spring return units - clockwise or counter clockwise see pages 5-7
- Limit switch boxes for open/close indication - various switches for hazardous areas see pages 9-12
- Integral solenoid valve see page 20
- AP pneumatic positioner - full range of options see pages 17/18
- EL electropneumatic positioner - full range of options see pages 15/16
- P3 on/off positioner - full range of options including hazardous area see pages 21-23
- 180° model see page 25/26
- Female drive and mounting details to DIN 3337 and ISO 5211 see page 50
- Spring to centre see page 24
- Geared manual override see page 46
- Code identification see page 62
- Torque outputs see pages 58-60
- See pages 49-52 for English dimensions and dimensions of spring options
- Accessory mount plate for positioners, switch boxes and clear cone monitor. See TD149.
- High Temperature / Low temperature options see page 50

