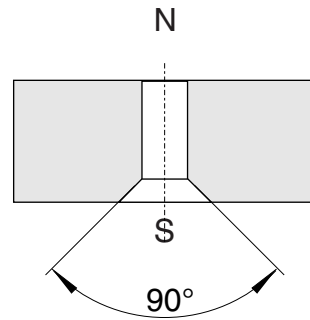
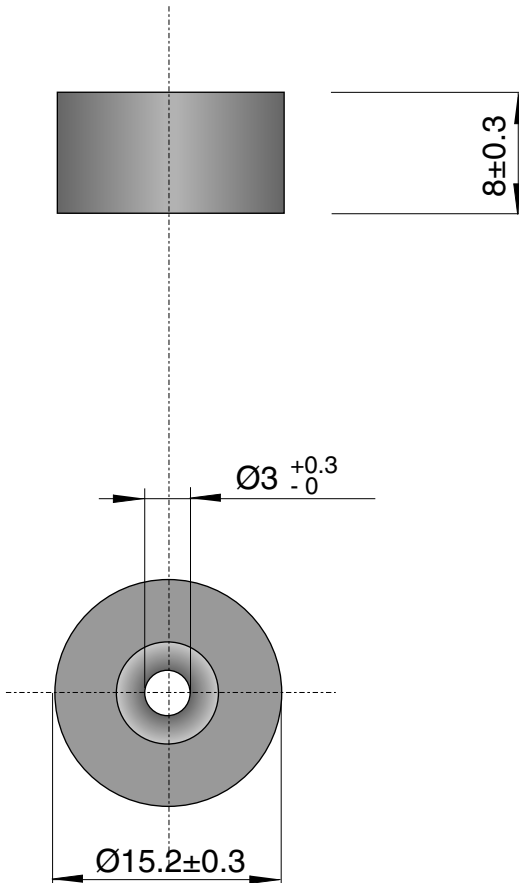


HEMOMATIK SWEDEN www.hemomatik.se , info@hemomatik.se	Benämning MAGNET D15.2D3x8		Art.nr M02	
			Sign. MEM	Datum 041102
Sparat som M02.PDF	Art.grupp AMGN	Godkänd X	Rev/nr X	Rev.datum X

Kontrolleras mot prov
 Prov märkes : M02 + datum

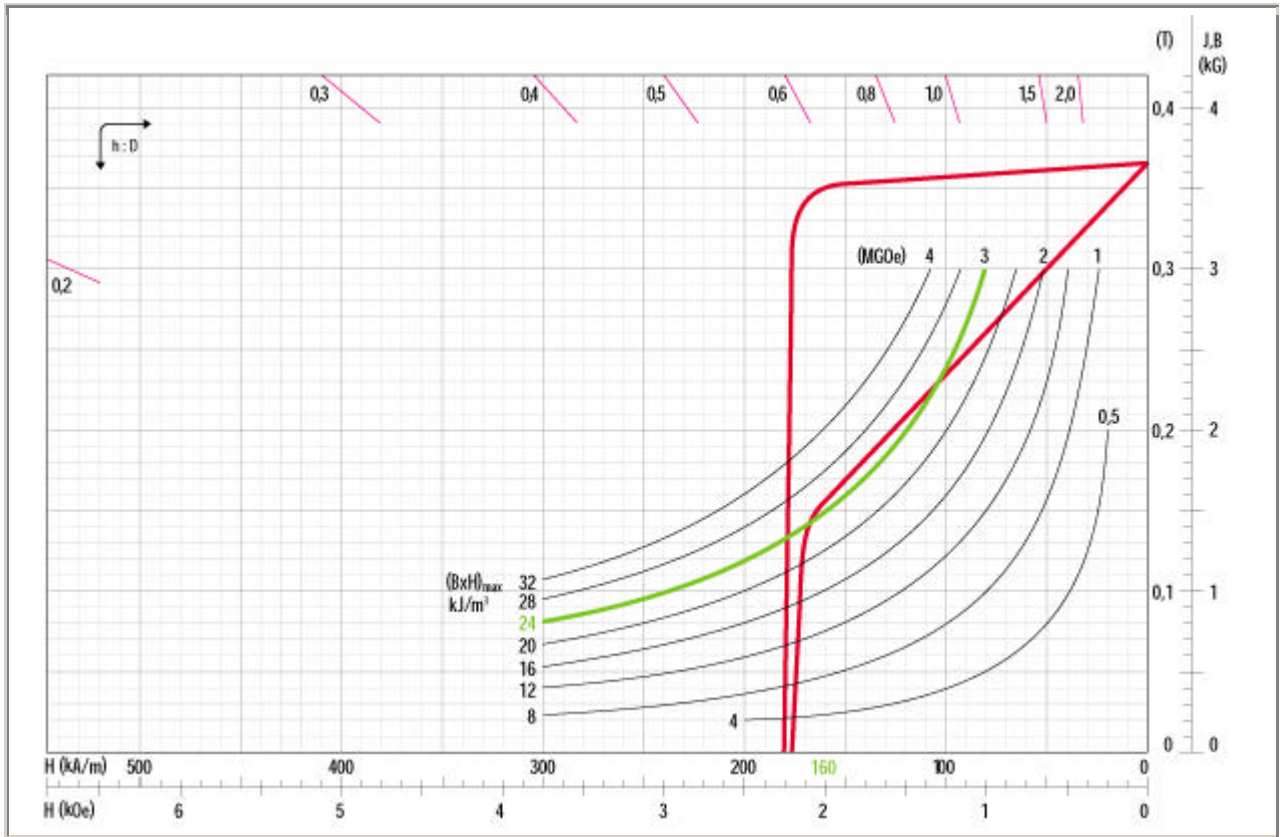
Magnetiseringsriktning



Axiellt magnetiserad
 Sydpol vid försänkningen

M02

Magnetic Parameters after DIN 17410 Bariumferrite Magnets dry pressed



Magnetic Parameters

	Energy Product		Remanence		revers. Temperature Coeff. of B_r	Coercivity H_{cB}		Coercivity H_{cJ}		revers. Temperature Coeff. of H_{cJ}	rev. Permeability μ_{rev}		Curie Temp. approx. °C	Operating Temp. approx. °C
	$(B \cdot H)_{max}$		B_r			H_{cB}		H_{cJ}						
	kJ / m^3	MGOe	mT	KG		kA / m	kOe	kA / m	kOe		mT/(kA/m)	G/Oe		
middle	25,5	3,2	365	3,65	-	175	2,20	180	2,26	-	-	-	-	-
min.	24	3	350	3,50	-	155	1,95	160	2,01	-	-	-	-	-
ca.	-	-	-	-	-0,2	-	-	-	-	+0,3	1,35	1,10	450	250

Mechanical Parameters

	Density	Hardness	Elasticity Module	Compression Strength	Tensile Strength	Flexural Strength	Linear Expansion Coefficient	specific electrical Resistance
-	g/cm^3	Mohs	$10^9 N/mm^2$	N/mm^2	N/mm^2	N/mm^2	$10^{-6} / K$	Ohm*m
approx.	5,0	6-7	150	700	50	55	10	$>10^4$