

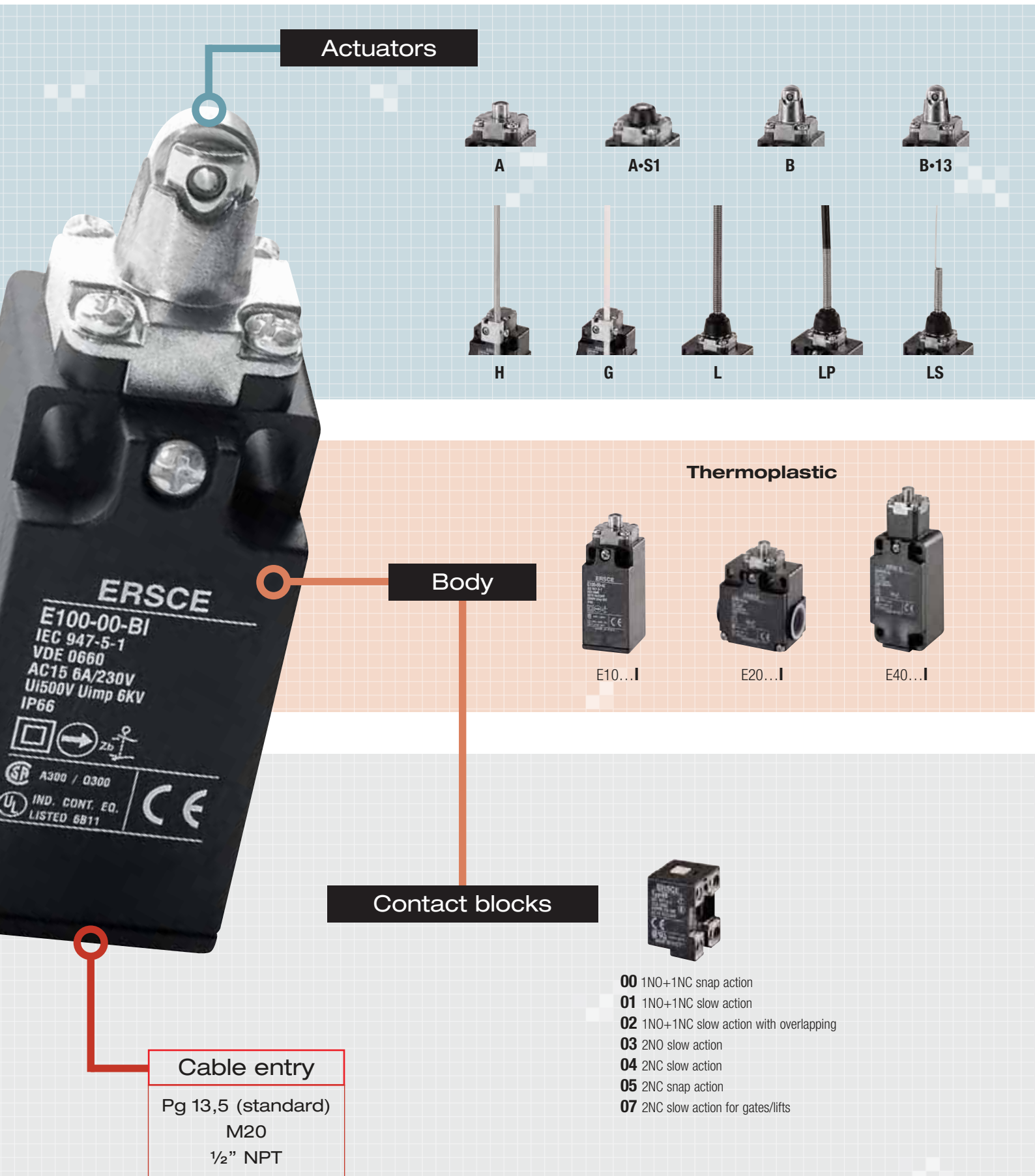


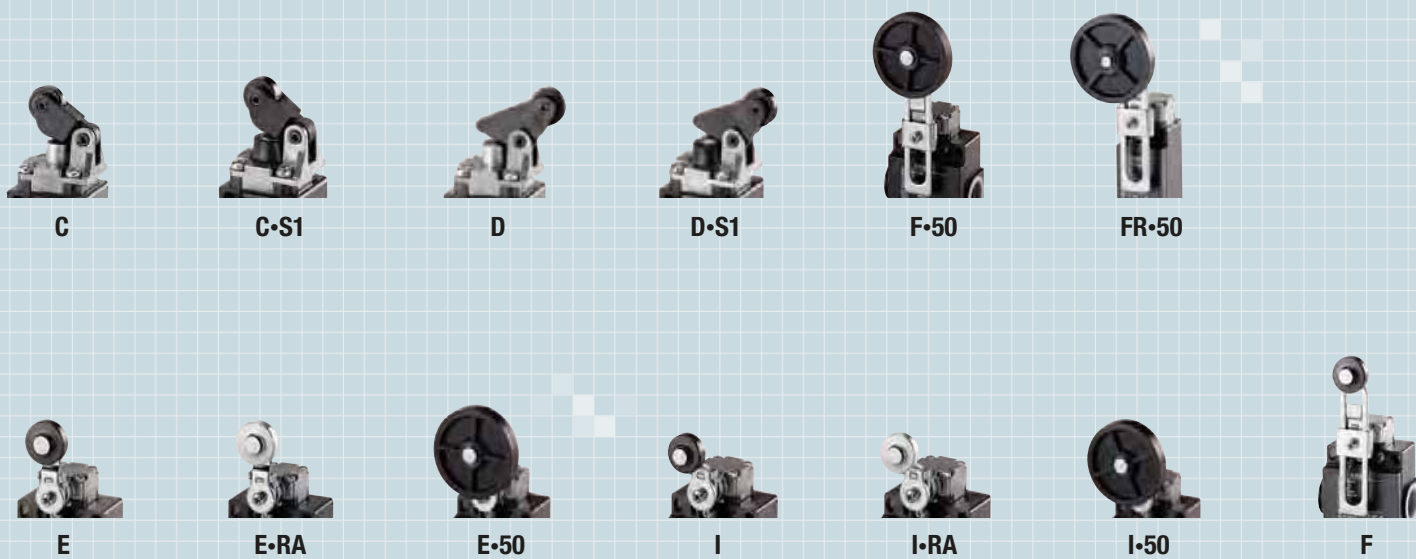
ERSCE  
E100-00-B1  
IEC 947-5-1  
VDE 0660  
AC15 6A/230V  
UI500V Uimp 6kV  
IP66  
A308 / 0300  
IND. CONT. EQ.  
LISTED 6811

ERSCE  
E400-00-B1  
IEC 947-5-1  
VDE 0660  
AC15 6A/230V  
UI500V Uimp 6kV  
IP66  
A308 / 0300  
IND. CONT. EQ.  
LISTED 6811

Limit switches

**BREMAS**  
**ERSCE**





**Metal**



**Part no. structure**

**E10 0 00 A I S1**

**Series**

- E100** 1 Cable entry, thermoplastic/metal
- E200** 2 cable entries, thermoplastic
- E300** 3 cable entries, metal
- E400** 1 Cable entry, thermoplastic/metal

**Cable entry**

- 0** Pg 13,5 (standard)
- 1** M20
- 2** 1/2" NPT

**Contact blocks**

- 00** 1NO+1NC snap action
- 01** 1NO+1NC slow action
- ...**

**Options**

- S1** With rubber gasket
- 50** With roller Ø50 mm
- 13** With roller Ø13 mm
- C** For gates/lifts
- 50C** With roller Ø50 mm for gates/lifts
- RA** With steel roller

**Body material**

- I** Thermoplastic
- M** Metal

**Actuator type**

- A** Steel plunger
- B** Steel roller plunger
- ...**

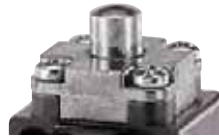
Note: Please verify the effective availability of a product before ordering.

**General characteristics**

The position switches are ERSCE's main product, and are the result of more than 40 years of experience in industrial automation. They are suitable for use in the most different environmental conditions, thanks to their solid construction, IP66 certified, and proven reliability over decades of fieldwork.

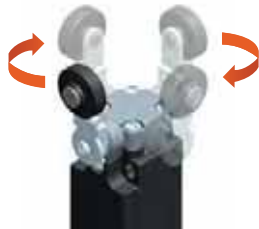


- thermoplastic or metal body
- IP66
- contact blocks with positive opening of the NC contact according to IEC EN 60947-5-1 e VDE 0660-200
- form conforming to EN 50047 (E100 series) and to EN 50041 (E400 series))



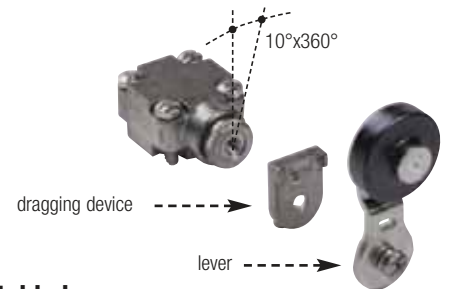
**Metal heads**

All the heads are made of metal, to ensure maximum performance and lifetime of the switch.



**Rotating heads**

Possibility to supply, on request, the limit switch lever rotated by 180° steps, and the actuator by 90° steps.



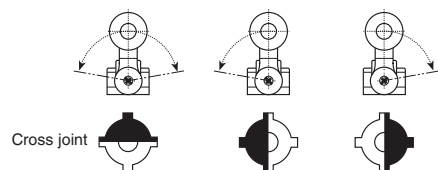
**Adjustable levers**

Possibility to adjust the lever every 10°, for 360°, by moving the lever and the dragging device.



**Overturning levers**

Possibility to fasten the lever on the straight or reverse side, maintaining the positive opening of the NC contact.



**Unidirectional heads**

The lever can be activated to the left or right only or in both directions by adjusting the cross joint.

## Technical data

Insulation resistance		500 V DC	MΩ	100	
Dielectric strength		50/60 Hz per 1' *	V AC	2500	
Rated insulation voltage	Ui	IEC947-5-1	V AC	500	
Rated thermal current	Ithe	IEC947-5-1	A	10	
Rated operating current		IEC947-5-1/EN60947-5-1			
Category AC15 A300	Ie	24 V	A	10	
		125 V	A	6	
		230 V	A	6	
		400 V	A	3	
Category DC13 Q300	Ie	24 V	A	6	
		48 V	A	4	
		120 V	A	1	
		250 V	A	0,4	
Contact resistance	IEC255-7 cat.3	initial value	mΩ	25	
Short circuit protective devices	IEC269 (IEC947-5-1)	gl or gG type fuse	A	10	
Rated conditionals short circuit current	IEC947-5-1		A	1000	
Pollution degree	IEC947-5-1			3	
Protection degree	EN 60529			IP66	
Protection against electric shock		plastic	class	II	
		metal	class	I	
Vibration resistance	IEC68-2-6	mm		0,35 ± 15% (10 ÷ 55 Hz ± 1 Hz)	
Shock resistance	IEC68-2-27	11 ms	g	30	
Mechanical life			cycles	15.000.000	
Electrical life		at 250 V AC 6A with resistance load cos φ=1	cycles	500.000	
		at 250 V AC 6A with inductive load cos φ=0,4	cycles	500.000	
Distance between contacts		snap action type	mm	2x1,25	
		low action type	mm	2x2	
Terminals		type		Screw with combined notch and retravtable plate (notch Ph. size 1)	
		screw	M	3,5	
		protection degree		IP20	
		material		Steel class 8,8/ Galvanized	
		max. screw tightening torque	cNm (Kg cm)	120 (12,24)	
		max connecting capacity	rigid cable	mm <sup>2</sup>	2x1,5
			flexible cable	mm <sup>2</sup>	2x1,5
	with prod terminal			In accordance with EN50013	
Air ambient temperature		operational	°C	-35 ÷ +85 (without formation of ice)	
Relative humidity		operational		95% max	

\* between terminals of the same polarity; between terminals with different polarity; between live mechanical parts and ground;  
between live mechanical parts and non-current-carrying metal parts

## Approvals



IEC EN 60947

E100	•	•	+
E200	•	•	+
E300	•	•	+
E400	•	•	+

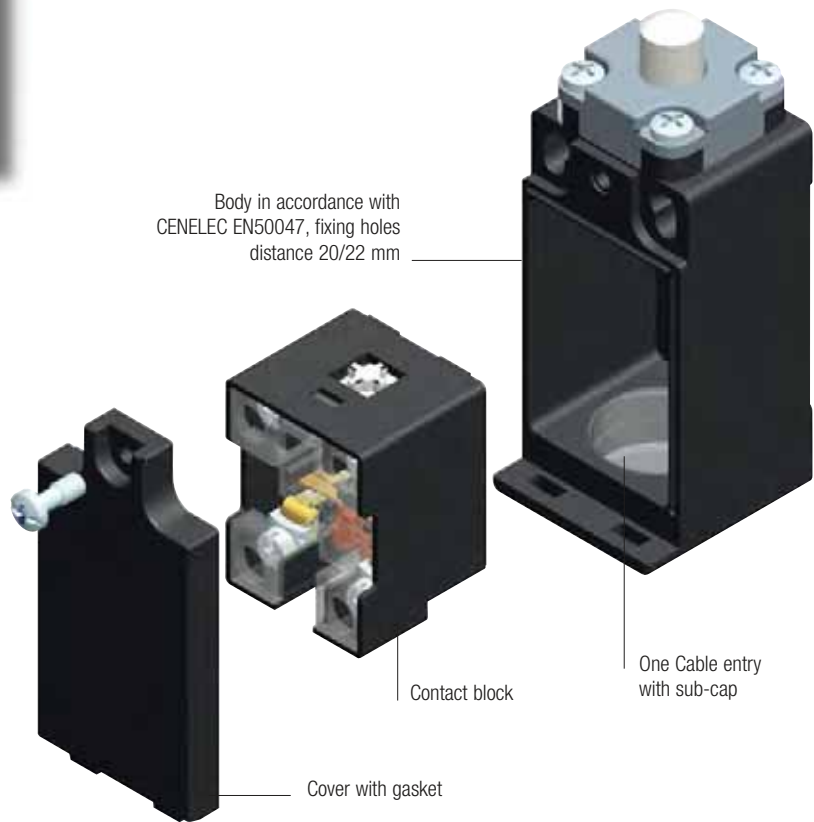
- UL approval file E72861
- CSA approval file 026716-0-000
- Approved
- + Conforms to requirements



The **E100** series is the most compact of ERSCE position switches. Dimensions are in accordance with CENELEC EN50047 that provides two fixing holes with distance 20 or 22mm. There is one hole for Cable entry on the bottom of the switch. Available with thermoplastic or diecast metal alloy body.

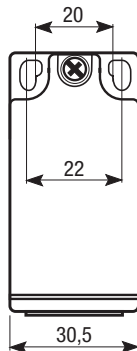
**In conformity with standards:**

IEC EN 60947-5-1 • EN 60947-1 • EN 50047 • UNI EN 1088 • EN ISO 12100-1  
EN ISO 12100-2 • IEC 529 • EN 60529 • VDE 0660-200 • VDE 0113



**Fixing**

Body in accordance with CENELEC EN50047, fixing holes distance 20/22 mm



**Cable entry**

One Cable entry on the bottom of the switch with thread:



**Thread**

Pg 13,5  
M20 (on request)  
1/2" NPT (on request)

**series part no.**

E100...  
E101...  
E102...

A

A•S1



Steel plunger



Steel plunger with rubber gasket

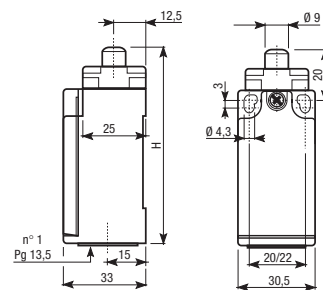
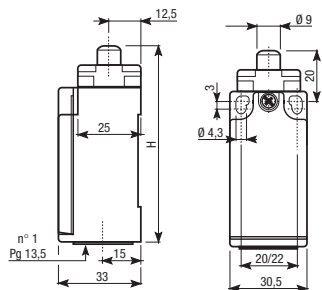
Contact block	
1NO+1NC snap action  13 21 14 22	<b>00</b>
1NO+1NC slow action  21 13 22 14	<b>01</b>
1NO+1NC slow overlap.  25 17 26 18	<b>02</b>
2NO slow action  13 23 14 24	<b>03</b>
2NC slow action  11 21 12 22	<b>04</b>
2NC snap action  11 21 12 22	<b>05</b>
Weight	kg
Pack	pcs
Cable entry	
H	mm

Thermoplastic	Metal	Contact travel
E10000AI *	E10000AM *	
E10001AI *	E10001AM *	
E10002AI	E10002AM	
E10003AI	E10003AM	
E10004AI	E10004AM	
E10005AI	E10005AM	
0,095	0,185	
1		
Pg 13,5		
77,5	75	

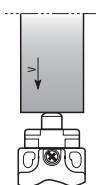
Thermoplastic	Metal	Contact travel
E10000AIS1 *	E10000AMS1 *	
E10001AIS1 *	E10001AMS1 *	
E10002AIS1	E10002AMS1	
E10003AIS1	E10003AMS1	
E10004AIS1	E10004AMS1	
E10005AIS1	E10005AMS1	
0,095	0,185	
1		
Pg 13,5		
77,5	75	

standard article article on request

\* form conforming to EN 50047



Drive cam operating parameters


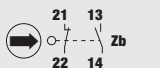
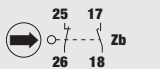
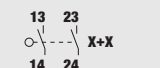
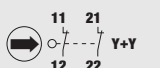
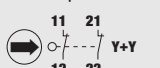


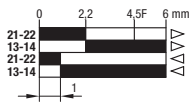
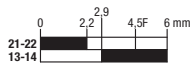
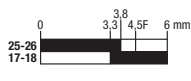
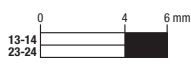
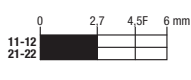
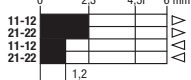
V max (m/s)	0,5
Min. force (N)	
for tripping	9
for positive opening	28

B



Steel roller plunger

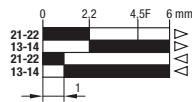
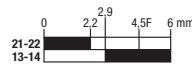
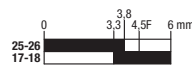
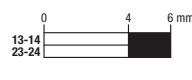
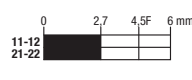

Contact block		
1NO+1NC snap action 	<b>00</b>	
1NO+1NC slow action 	<b>01</b>	
1NO+1NC slow overlap. 	<b>02</b>	
2NO slow action 	<b>03</b>	
2NC slow action 	<b>04</b>	
2NC snap action 	<b>05</b>	
<b>Weight</b>	<b>kg</b>	
<b>Pack</b>	<b>pcs</b>	
<b>Cable entry</b>		
<b>H</b>	<b>mm</b>	


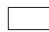
Thermoplastic	Metal	Contact travel
<b>E10000BI *</b>	<b>E10000BM *</b>	
<b>E10001BI *</b>	<b>E10001BM *</b>	
<b>E10002BI</b>	<b>E10002BM</b>	
<b>E10003BI</b>	<b>E10003BM</b>	
<b>E10004BI</b>	<b>E10004BM</b>	
<b>E10005BI</b>	<b>E10005BM</b>	
0,105	0,195	
1		
Pg 13,5		
88	85,5	

B•13

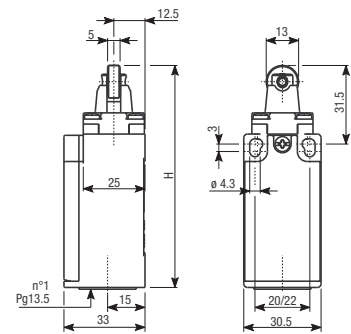
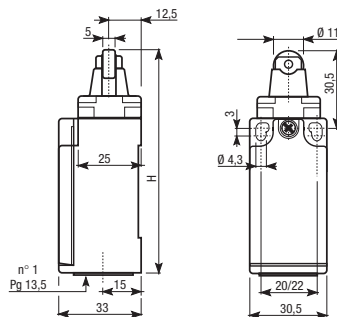


Ø13 mm steel roller plunger

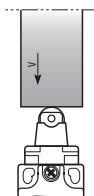
Thermoplastic	Metal	Contact travel
<b>E10000BI13</b>	<b>E10000BM13</b>	
<b>E10001BI13</b>	<b>E10001BM13</b>	
<b>E10002BI13</b>	<b>E10002BM13</b>	
<b>E10003BI13</b>	<b>E10003BM13</b>	
<b>E10004BI13</b>	<b>E10004BM13</b>	
<b>E10005BI13</b>	<b>E10005BM13</b>	
0,105	0,195	
1		
Pg 13,5		
89	86,5	

 standard article  article on request

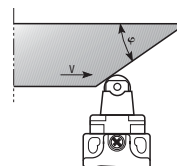
\* form conforming to EN 50047



Drive cam operating parameters



V max (m/s)	0,5
Min. force (N)	
for tripping	9
for positive opening	28



φ	V max (m/s)
20°	1
30°	0,5
Min. force (N)	
for tripping	9
for positive opening	28






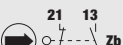
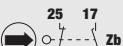
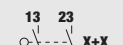
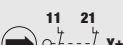
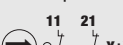
C

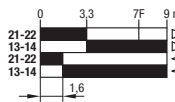
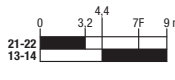
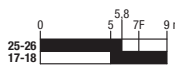
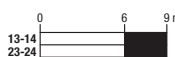
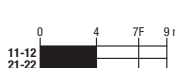
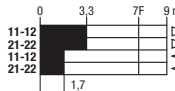
Thermoplastic roller lever, side actuation

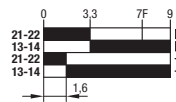
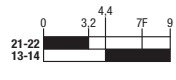
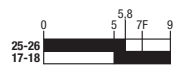
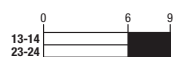

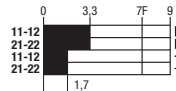


C•S1

Thermoplastic roller lever with rubber gasket, side actuation

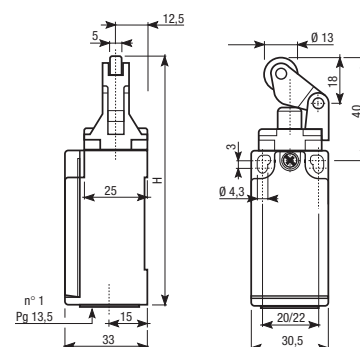
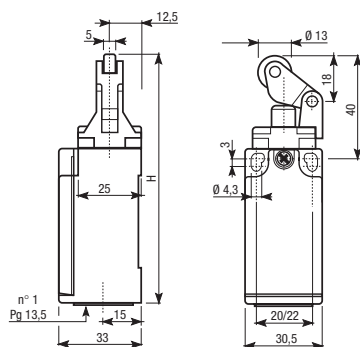
Contact block		
1NO+1NC snap action 	00	Zb
1NO+1NC slow action 	01	Zb
1NO+1NC slow overlap. 	02	Zb
2NO slow action 	03	X+X
2NC slow action 	04	Y+Y
2NC snap action 	05	Y+Y
Weight	kg	
Pack	pcs	
Cable entry		
H	mm	

Thermoplastic	Metal	Contact travel
E10000CI *	E10000CM *	
E10001CI *	E10001CM *	
E10002CI	E10002CM	
E10003CI	E10003CM	
E10004CI	E10004CM	
E10005CI	E10005CM	
0,105	0,195	
1		
Pg 13,5		
97,5	95	

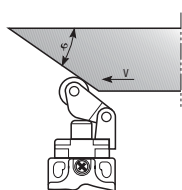
Thermoplastic	Metal	Contact travel
E10000CIS1 *	E10000CMS1 *	
E10001CIS1 *	E10001CMS1 *	
E10002CIS1	E10002CMS1	
E10003CIS1	E10003CMS1	
E10004CIS1	E10004CMS1	
E10005CIS1	E10005CMS1	
0,105	0,195	
1		
Pg 13,5		
97,5	95	

 standard article  article on request

\* form conforming to EN 50047



Drive cam operating parameters




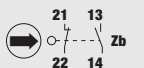
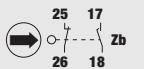
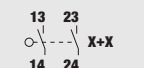
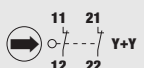
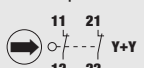
$\varphi$	V max (m/s)
20°	1
30°	0,5

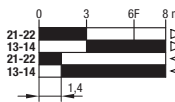
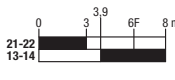
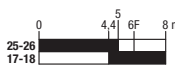
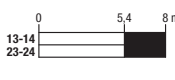
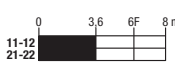

Min. force (N)	
for tripping	9
for positive opening	26



D

Thermoplastic roller lever, vertical actuation

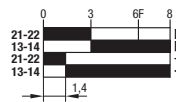
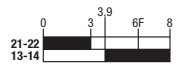
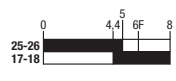
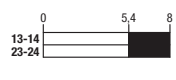
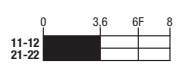
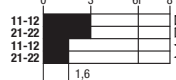
Contact block		
1NO+1NC snap action 	<b>00</b>	
1NO+1NC slow action 	<b>01</b>	
1NO+1NC slow overlap. 	<b>02</b>	
2NO slow action 	<b>03</b>	
2NC slow action 	<b>04</b>	
2NC snap action 	<b>05</b>	
<b>Weight</b>	<b>kg</b>	
<b>Pack</b>	<b>pcs</b>	
<b>Cable entry</b>		
<b>H</b>	<b>mm</b>	

Thermoplastic	Metal	Contact travel
<b>E10000DI</b>	<b>E10000DM</b>	
<b>E10001DI</b>	<b>E10001DM</b>	
<b>E10002DI</b>	<b>E10002DM</b>	
<b>E10003DI</b>	<b>E10003DM</b>	
<b>E10004DI</b>	<b>E10004DM</b>	
<b>E10005DI</b>	<b>E10005DM</b>	
0,105	0,195	
1		
Pg 13,5		
98,5	96	

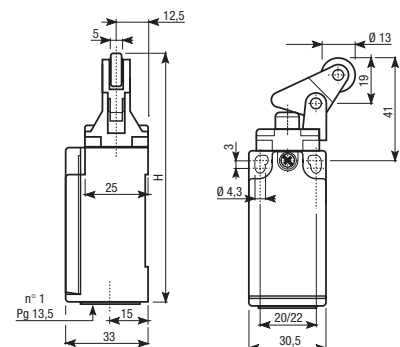
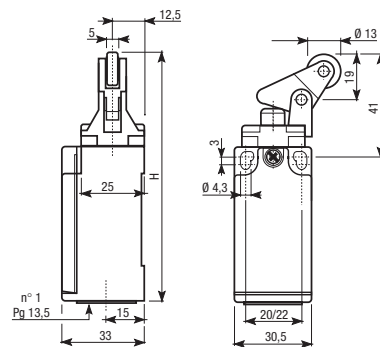


D•S1

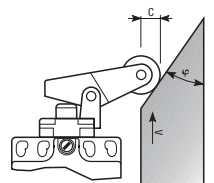
Thermoplastic roller lever with rubber gasket, vertical actuation

Thermoplastic	Metal	Contact travel
<b>E10000DIS1</b>	<b>E10000DMS1</b>	
<b>E10001DIS1</b>	<b>E10001DMS1</b>	
<b>E10002DIS1</b>	<b>E10002DMS1</b>	
<b>E10003DIS1</b>	<b>E10003DMS1</b>	
<b>E10004DIS1</b>	<b>E10004DMS1</b>	
<b>E10005DIS1</b>	<b>E10005DMS1</b>	
0,105	0,195	
1		
Pg 13,5		
98,5	96	

 standard article  article on request



Drive cam operating parameters



$\varphi$	V max (m/s)
20°	1
30°	0,5

Min. force (N)	
for tripping	9
for positive opening	26



Thermoplastic roller lever

E



Steel roller lever

E•RA

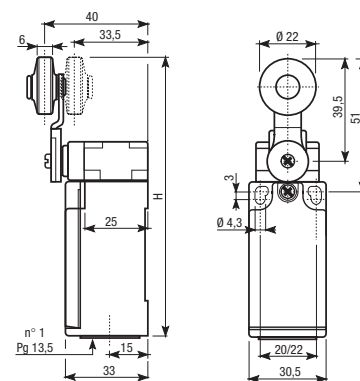
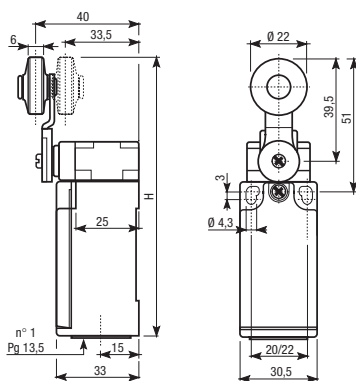
Contact block		
1NO+1NC snap action  13 21 14 22	Zb	00
1NO+1NC slow action  21 13 22 14	Zb	01
1NO+1NC slow overlap.  25 17 26 18	Zb	02
2NO slow action  13 23 14 24	X+X	03
2NC slow action  11 21 12 22	Y+Y	04
2NC snap action  11 21 12 22	Y+Y	05
Weight	kg	
Pack	pcs	
Cable entry		
H	mm	

Thermoplastic	Metal	Contact travel
E10000EI *	E10000EM *	
E10001EI *	E10001EM *	
E10002EI	E10002EM	
E10003EI	E10003EM	
E10004EI	E10004EM	
E10005EI	E10005EM	
0,135	0,225	
1		
Pg 13,5		
108,5	106	

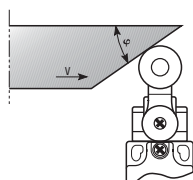
Thermoplastic	Metal	Contact travel
E10000EIRA	E10000EMRA	
E10001EIRA	E10001EMRA	
E10002EIRA	E10002EMRA	
E10003EIRA	E10003EMRA	
E10004EIRA	E10004EMRA	
E10005EIRA	E10005EMRA	
0,135	0,225	
1		
Pg 13,5		
108,5	106	

standard article article on request

\* form conforming to EN 50047



Drive cam operating parameters



$\varphi$	V max (m/s)
30°	1,5
45°	1
60°	0,75
60-90°	0,25

Min. force (cNm)	
for tripping	15
for positive opening	35


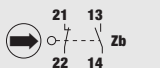
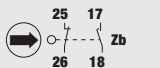
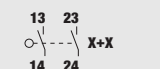
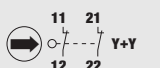
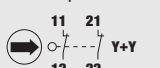


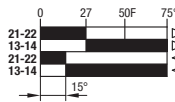
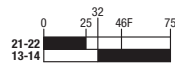
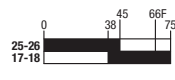
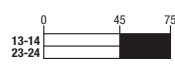
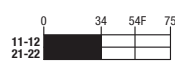

**E•50**

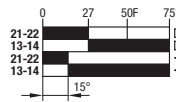
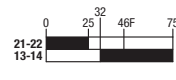
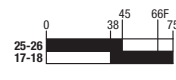
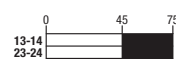
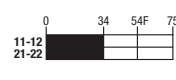

**Ø50 mm rubber roller lever**





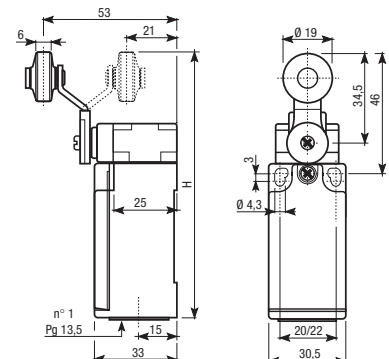
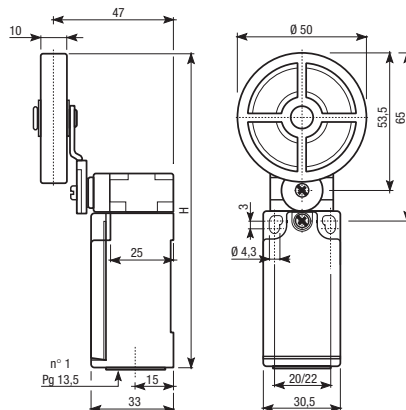
**Thermoplastic roller lever**

Contact block		
1NO+1NC snap action 	<b>00</b>	<b>Zb</b>
1NO+1NC slow action 	<b>01</b>	<b>Zb</b>
1NO+1NC slow overlap. 	<b>02</b>	<b>Zb</b>
2NO slow action 	<b>03</b>	<b>X+X</b>
2NC slow action 	<b>04</b>	<b>Y+Y</b>
2NC snap action 	<b>05</b>	<b>Y+Y</b>
<b>Weight</b>	<b>kg</b>	
<b>Pack</b>	<b>pcs</b>	
<b>Cable entry</b>		
<b>H</b>	<b>mm</b>	

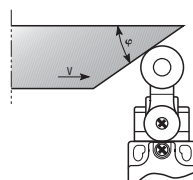
Thermoplastic	Metal	Contact travel
<b>E10000EI50</b>	<b>E10000EM50</b>	
<b>E10001EI50</b>	<b>E10001EM50</b>	
<b>E10002EI50</b>	<b>E10002EM50</b>	
<b>E10003EI50</b>	<b>E10003EM50</b>	
<b>E10004EI50</b>	<b>E10004EM50</b>	
<b>E10005EI50</b>	<b>E10005EM50</b>	
0,150	0,240	
1		
Pg 13,5		
122,5	120	

Thermoplastic	Metal	Contact travel
<b>E10000II</b>	<b>E10000IM</b>	
<b>E10001II</b>	<b>E10001IM</b>	
<b>E10002II</b>	<b>E10002IM</b>	
<b>E10003II</b>	<b>E10003IM</b>	
<b>E10004II</b>	<b>E10004IM</b>	
<b>E10005II</b>	<b>E10005IM</b>	
0,130	0,225	
1		
Pg 13,5		
103,5	101	

 standard article  article on request



**Drive cam operating parameters**



$\varphi$	V max (m/s)
30°	1,5
45°	1
60°	0,75
60-90°	0,25

Min. force (cNm)	
for tripping	15
for positive opening	35



I•RA

Steel roller lever



I•50

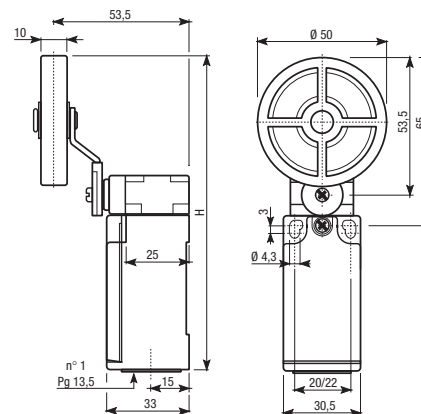
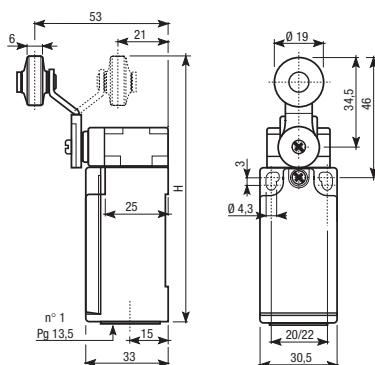
Ø50 mm rubber roller lever

Contact block	
1NO+1NC snap action  13 21 14 22 Zb <b>00</b>	
1NO+1NC slow action  21 13 22 14 Zb <b>01</b>	
1NO+1NC slow overlap.  25 17 26 18 Zb <b>02</b>	
2NO slow action  13 23 14 24 X+X <b>03</b>	
2NC slow action  11 21 12 22 Y+Y <b>04</b>	
2NC snap action  11 21 12 22 Y+Y <b>05</b>	
Weight	kg
Pack	pcs
Cable entry	
H	mm

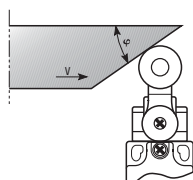
Thermoplastic	Metal	Contact travel
E10000IIRA	E10000IMRA	
E10001IIRA	E10001IMRA	
E10002IIRA	E10002IMRA	
E10003IIRA	E10003IMRA	
E10004IIRA	E10004IMRA	
E10005IIRA	E10005IMRA	
0,130	0,225	
1		
Pg 13,5		
103,5	101	

Thermoplastic	Metal	Contact travel
E10000I150	E10000IM50	
E10001I150	E10001IM50	
E10002I150	E10002IM50	
E10003I150	E10003IM50	
E10004I150	E10004IM50	
E10005I150	E10005IM50	
0,145	0,240	
1		
Pg 13,5		
122,5	120	

standard article article on request



Drive cam operating parameters



φ	V max (m/s)
30°	1,5
45°	1
60°	0,75
60-90°	0,25

Min. force (cNm)	
for tripping	15
for positive opening	35



F

Thermoplastic roller variable length lever



F•50

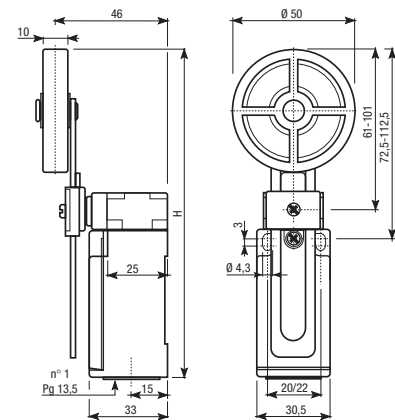
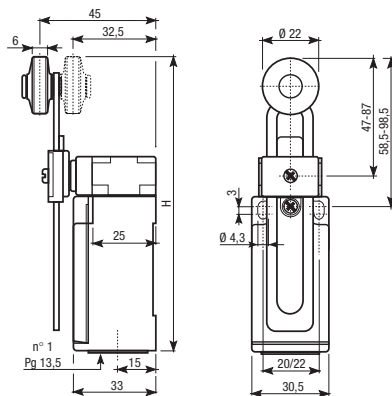
Ø50 mm rubber roller variable length lever

Contact block		
1NO+1NC snap action 	00	Zb
1NO+1NC slow action 	01	Zb
1NO+1NC slow overlap. 	02	Zb
2NO slow action 	03	X+X
2NC slow action 	04	Y+Y
2NC snap action 	05	Y+Y
Weight	kg	
Pack	pcs	
Cable entry		
H	mm	

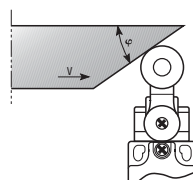
Thermoplastic	Metal	Contact travel
E10000FI	E10000FM	
E10001FI	E10001FM	
E10002FI	E10002FM	
E10003FI	E10003FM	
E10004FI	E10004FM	
E10005FI	E10005FM	
0,150	0,240	
1		
Pg 13,5		
116÷156	113,5÷153,5	

Thermoplastic	Metal	Contact travel
E10000FI50	E10000FM50	
E10001FI50	E10001FM50	
E10002FI50	E10002FM50	
E10003FI50	E10003FM50	
E10004FI50	E10004FM50	
E10005FI50	E10005FM50	
0,160	0,250	
1		
Pg 13,5		
130÷170	127,5÷167,5	

standard article article on request



Drive cam operating parameters



φ	V max (m/s)
30°	1,5
45°	1
60°	0,75
60-90°	0,25

Min. force (cNm)	
for tripping	15
for positive opening	35



FR•50

Ø50 mm rubber roller adjustable lever



G

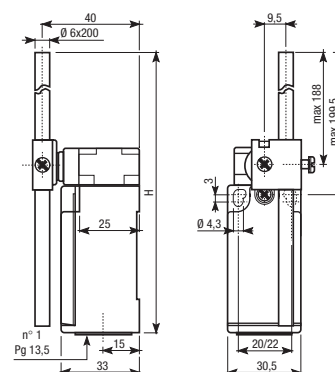
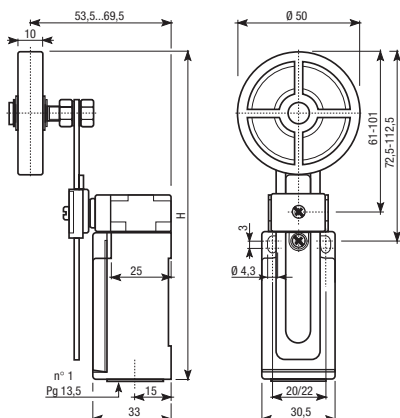
Side rotary adjustable Ø6 mm glass fiber rod

Contact block		
1NO+1NC snap action  13 21 14 22	<b>00</b>	Zb
1NO+1NC slow action  21 13 22 14	<b>01</b>	Zb
1NO+1NC slow overlap.  25 17 26 18	<b>02</b>	Zb
2NO slow action  13 23 14 24	<b>03</b>	X+X
2NC slow action  11 21 12 22	<b>04</b>	Y+Y
2NC snap action  11 21 12 22	<b>05</b>	Y+Y
<b>Weight</b>	kg	
<b>Pack</b>	pcs	
<b>Cable entry</b>		
<b>H</b>	mm	

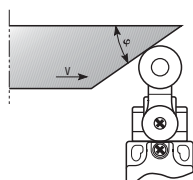
Thermoplastic	Metal	Contact travel
E10000FRI50	E10000FRM50	
E10001FRI50	E10001FRM50	
E10002FRI50	E10002FRM50	
E10003FRI50	E10003FRM50	
E10004FRI50	E10004FRM50	
E10005FRI50	E10005FRM50	
0,170	0,250	
1		
Pg 13,5		
130÷170	127,5÷167,5	

Thermoplastic	Metal	Contact travel
E10000GI	E10000GM	
E10001GI	E10001GM	
E10002GI	E10002GM	
E10003GI	E10003GM	
E10004GI	E10004GM	
E10005GI	E10005GM	
0,170	0,270	
1		
Pg 13,5		
97,5÷257,5	95÷255	

standard article article on request



Drive cam operating parameters



$\varphi$	V max (m/s)
30°	1,5
45°	1
60°	0,75
60-90°	0,25

Min. force (cNm)	
for tripping	15
for positive opening	35



H

Side rotary adjustable Ø6 mm aluminium rod



L

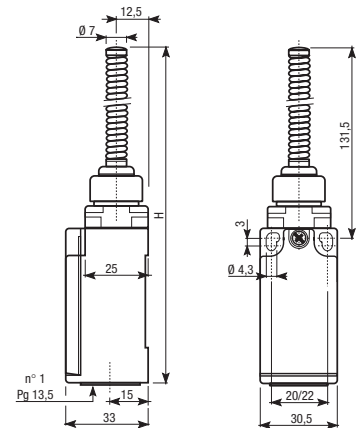
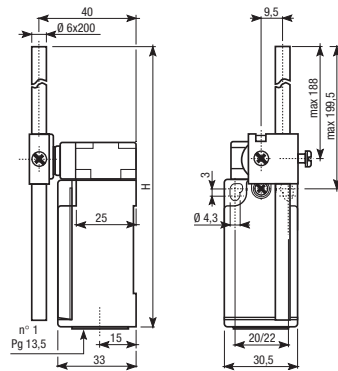
Flexible rod

Contact block		
1NO+1NC snap action  13 21 14 22	<b>00</b>	Zb
1NO+1NC slow action  21 13 22 14	<b>01</b>	Zb
1NO+1NC slow overlap.  25 17 26 18	<b>02</b>	Zb
2NO slow action  13 23 14 24	<b>03</b>	X+X
2NC slow action  11 21 12 22	<b>04</b>	Y+Y
2NC snap action  11 21 12 22	<b>05</b>	Y+Y
<b>Weight</b>	kg	
<b>Pack</b>	pcs	
<b>Cable entry</b>		
<b>H</b>	mm	

Thermoplastic	Metal	Contact travel
<b>E10000HI</b>	<b>E10000HM</b>	
<b>E10001HI</b>	<b>E10001HM</b>	
<b>E10002HI</b>	<b>E10002HM</b>	
<b>E10003HI</b>	<b>E10003HM</b>	
<b>E10004HI</b>	<b>E10004HM</b>	
<b>E10005HI</b>	<b>E10005HM</b>	
0,180	0,270	
1		
Pg 13,5		
97,5÷257,5	95÷255	

Thermoplastic	Metal	Contact travel
<b>E10000LI</b>	<b>E10000LM</b>	
<b>E10001LI</b>	<b>E10001LM</b>	
<b>E10002LI</b>	<b>E10002LM</b>	
<b>E10003LI</b>	<b>E10003LM</b>	
<b>E10004LI</b>	<b>E10004LM</b>	
<b>E10005LI</b>	<b>E10005LM</b>	
0,145	0,235	
1		
Pg 13,5		
189	186,5	

standard article article on request







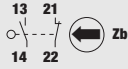
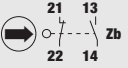
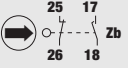
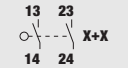
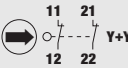
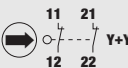
LP

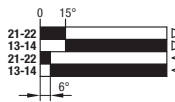
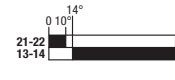
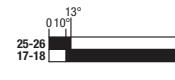
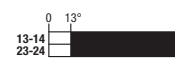
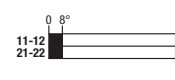

Flexible rod with plastic terminal

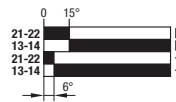
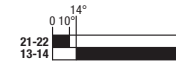
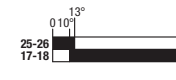
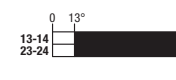
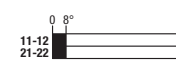



LS

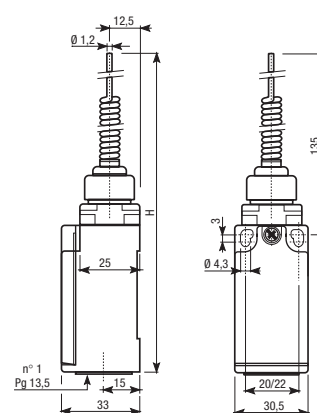
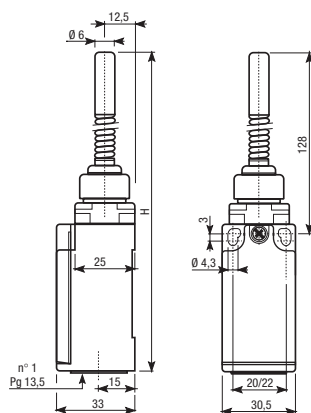
Cat's whisker

Contact block		
1NO+1NC snap action 	<b>00</b>	
1NO+1NC slow action 	<b>01</b>	
1NO+1NC slow overlap. 	<b>02</b>	
2NO slow action 	<b>03</b>	
2NC slow action 	<b>04</b>	
2NC snap action 	<b>05</b>	
<b>Weight</b>	<b>kg</b>	
<b>Pack</b>	<b>pcs</b>	
<b>Cable entry</b>		
<b>H</b>	<b>mm</b>	

Thermoplastic	Metal	Contact travel
<b>E10000LPI</b>	<b>E10000LPM</b>	
<b>E10001LPI</b>	<b>E10001LPM</b>	
<b>E10002LPI</b>	<b>E10002LPM</b>	
<b>E10003LPI</b>	<b>E10003LPM</b>	
<b>E10004LPI</b>	<b>E10004LPM</b>	
<b>E10005LPI</b>	<b>E10005LPM</b>	
0,145	0,235	
1		
Pg 13,5		
185,5	183	

Thermoplastic	Metal	Contact travel
<b>E10000LSI</b>	<b>E10000LSM</b>	
<b>E10001LSI</b>	<b>E10001LSM</b>	
<b>E10002LSI</b>	<b>E10002LSM</b>	
<b>E10003LSI</b>	<b>E10003LSM</b>	
<b>E10004LSI</b>	<b>E10004LSM</b>	
<b>E10005LSI</b>	<b>E10005LSM</b>	
0,145	0,235	
1		
Pg 13,5		
192,5	190	

 standard article  article on request

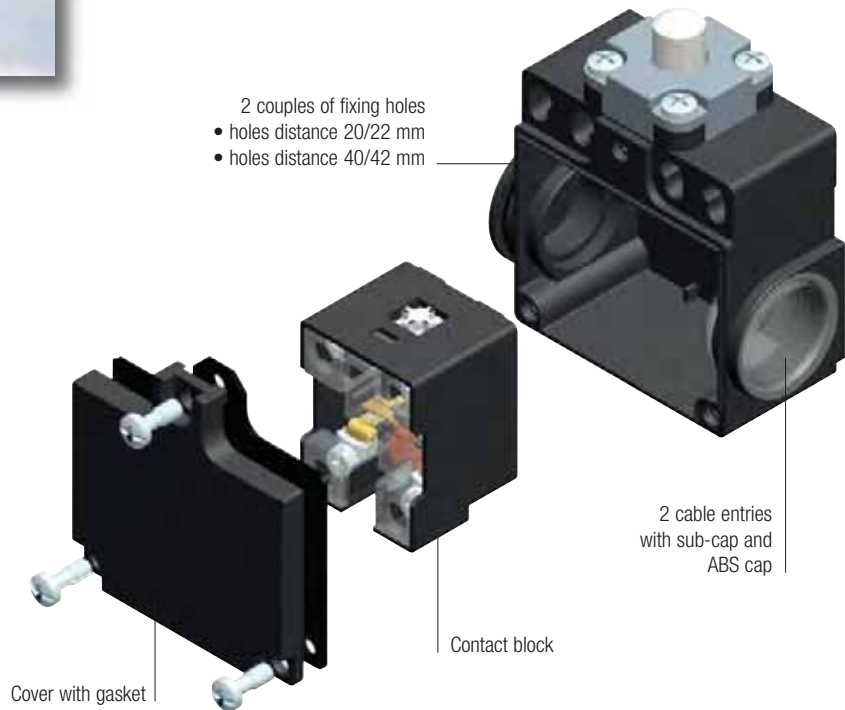




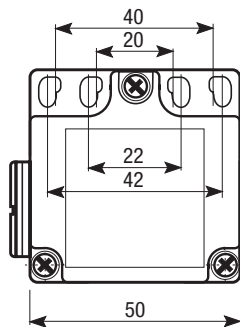
The **E200** series is designed for maximum installation flexibility, it has two different fixing templates to maintain compatibility with both E100 series (fixing holes distance 20-22mm) and E300 series (fixing holes distance 40-42 mm). E200 series provides 2 cable entries on both sides of the switch and is available with metal actuators and thermoplastic body.

**In conformity with standards:**

IEC EN 60947-5-1 • EN 60947-1 • UNI EN 1088 • EN ISO 12100-1  
EN ISO 12100-2 • IEC 529 • EN 60529 • VDE 0660-200 • VDE 0113



**Fixing**  
Double fixing option:  
20-22 mm  
40-42 mm



**Cable entry**  
2 cable entries on the sides of the switch with thread:



**Thread**

Pg 13,5  
M20 (on request)  
1/2" NPT (on request)

**Series part no.**

E200...  
E201...  
E202...

A

A•S1



Steel plunger



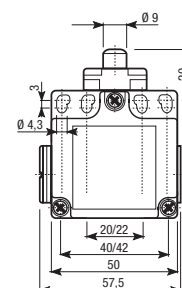
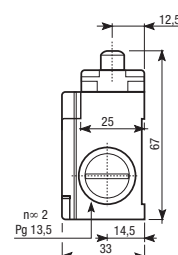
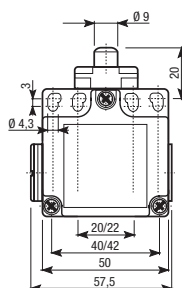
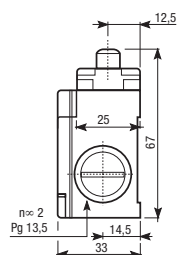
Steel plunger with rubber gasket

Contact block	
1NO+1NC snap action 	<b>00</b>
1NO+1NC slow action 	<b>01</b>
1NO+1NC slow overlap. 	<b>02</b>
2NO slow action 	<b>03</b>
2NC slow action 	<b>04</b>
2NC snap action 	<b>05</b>
<b>Weight</b>	<b>kg</b>
<b>Pack</b>	<b>pcs</b>
<b>Cable entry</b>	

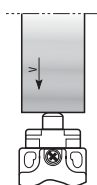
Thermoplastic	Contact travel
<b>E20000AI</b>	
<b>E20001AI</b>	
<b>E20002AI</b>	
<b>E20003AI</b>	
<b>E20004AI</b>	
<b>E20005AI</b>	
0,110	
1	
Pg 13,5	

Thermoplastic	Contact travel
<b>E20000AIS1</b>	
<b>E20001AIS1</b>	
<b>E20002AIS1</b>	
<b>E20003AIS1</b>	
<b>E20004AIS1</b>	
<b>E20005AIS1</b>	
0,110	
1	
Pg 13,5	

standard article article on request



Drive cam operating parameters



V max (m/s)	0,5
Min. force (N)	
for tripping	9
for positive opening	28



Steel roller plunger

B



Ø13 mm steel roller plunger

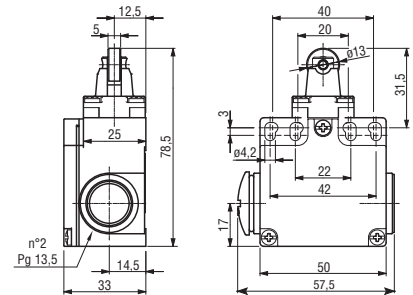
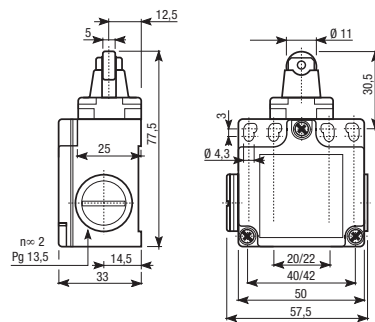
B•13

Contact block	
1NO+1NC snap action  13 21 14 22	<b>00</b>
1NO+1NC slow action  21 13 22 14	<b>01</b>
1NO+1NC slow overlap.  25 17 26 18	<b>02</b>
2NO slow action  13 23 14 24	<b>03</b>
2NC slow action  11 21 12 22	<b>04</b>
2NC snap action  11 21 12 22	<b>05</b>
<b>Weight</b>	<b>kg</b>
<b>Pack</b>	<b>pcs</b>
<b>Cable entry</b>	

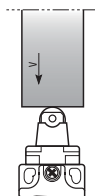
Thermoplastic	Contact travel
<b>E20000BI</b>	
<b>E20001BI</b>	
<b>E20002BI</b>	
<b>E20003BI</b>	
<b>E20004BI</b>	
<b>E20005BI</b>	
0,125	
1	
Pg 13,5	

Thermoplastic	Contact travel
<b>E20000BI13</b>	
<b>E20001BI13</b>	
<b>E20002BI13</b>	
<b>E20003BI13</b>	
<b>E20004BI13</b>	
<b>E20005BI13</b>	
0,125	
1	
Pg 13,5	

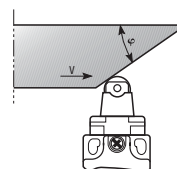
standard article article on request



Drive cam operating parameters



V max (m/s)	0,5
Min. force (N)	
for tripping	9
for positive opening	28



φ	V max (m/s)
20°	1
30°	0,5
Min. force (N)	
for tripping	9
for positive opening	28



C

Thermoplastic roller lever, side actuation

Contact block		
1NO+1NC snap action		<b>00</b>
1NO+1NC slow action		<b>01</b>
1NO+1NC slow overlap.		<b>02</b>
2NO slow action		<b>03</b>
2NC slow action		<b>04</b>
2NC snap action		<b>05</b>
<b>Weight</b>	<b>kg</b>	
<b>Pack</b>	<b>pcs</b>	
<b>Cable entry</b>		

Thermoplastic	Contact travel
<b>E20000CI</b>	
<b>E20001CI</b>	
<b>E20002CI</b>	
<b>E20003CI</b>	
<b>E20004CI</b>	
<b>E20005CI</b>	
<b>0,130</b>	
<b>1</b>	
<b>Pg 13,5</b>	

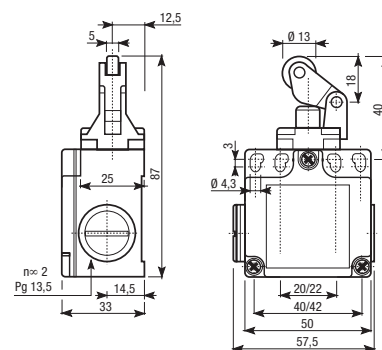
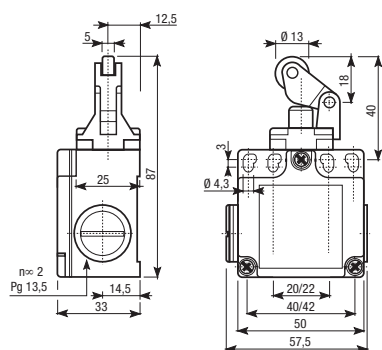


C•S1

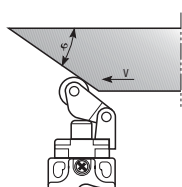
Thermoplastic roller lever with rubber gasket, side actuation

Thermoplastic	Contact travel
<b>E20000CIS1</b>	
<b>E20001CIS1</b>	
<b>E20002CIS1</b>	
<b>E20003CIS1</b>	
<b>E20004CIS1</b>	
<b>E20005CIS1</b>	
<b>0,130</b>	
<b>1</b>	
<b>Pg 13,5</b>	

standard article article on request



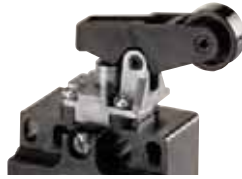
Drive cam operating parameters



$\varphi$	V max (m/s)
20°	1
30°	0,5

Min. force (N)	
for tripping	9
for positive opening	26

D



Thermoplastic roller lever, vertical actuation

Contact block		
1NO+1NC snap action		<b>00</b>
1NO+1NC slow action		<b>01</b>
1NO+1NC slow overlap.		<b>02</b>
2NO slow action		<b>03</b>
2NC slow action		<b>04</b>
2NC snap action		<b>05</b>
<b>Weight</b>	<b>kg</b>	
<b>Pack</b>	<b>pcs</b>	
<b>Cable entry</b>		

Thermoplastic	Contact travel
<b>E20000DI</b>	
<b>E20001DI</b>	
<b>E20002DI</b>	
<b>E20003DI</b>	
<b>E20004DI</b>	
<b>E20005DI</b>	
<b>Weight</b>	<b>kg</b>
<b>Pack</b>	<b>pcs</b>
<b>Cable entry</b>	

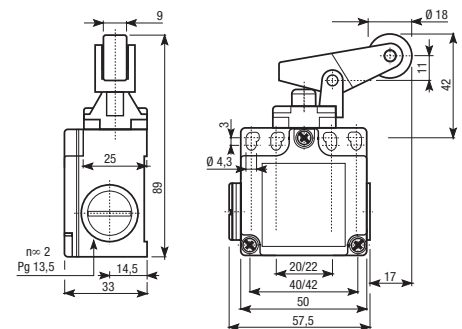
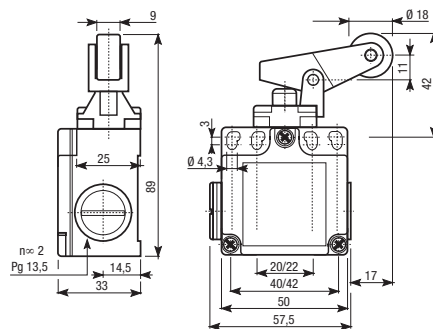
D•S1



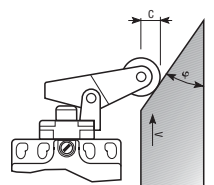
Thermoplastic roller lever with rubber gasket, vertical actuation

Thermoplastic	Contact travel
<b>E20000DIS1</b>	
<b>E20001DIS1</b>	
<b>E20002DIS1</b>	
<b>E20003DIS1</b>	
<b>E20004DIS1</b>	
<b>E20005DIS1</b>	
<b>Weight</b>	<b>kg</b>
<b>Pack</b>	<b>pcs</b>
<b>Cable entry</b>	

standard article article on request



Drive cam operating parameters



$\varphi$	V max (m/s)
20°	1
30°	0,5

Min. force (N)
for tripping
for positive opening



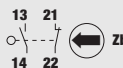
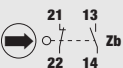
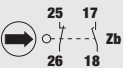
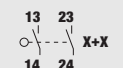
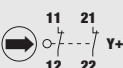
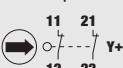
Thermoplastic roller lever

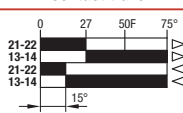
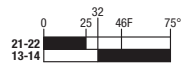
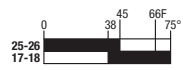
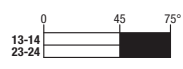
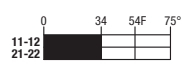
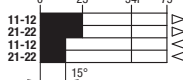
E

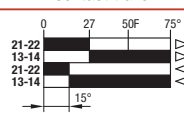
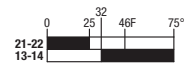
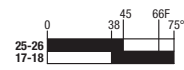
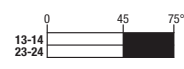
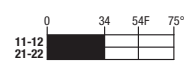
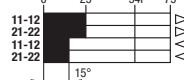


Steel roller lever

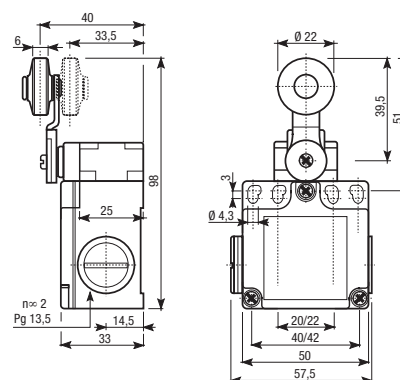
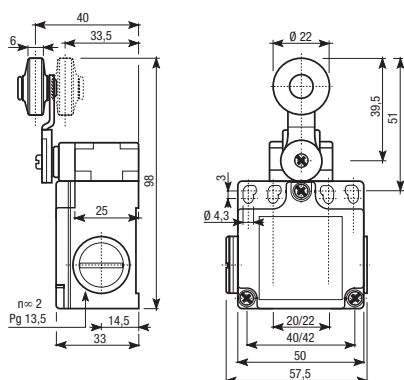
E•RA

Contact block		
1NO+1NC snap action 	<b>00</b>	
1NO+1NC slow action 	<b>01</b>	
1NO+1NC slow overlap. 	<b>02</b>	
2NO slow action 	<b>03</b>	
2NC slow action 	<b>04</b>	
2NC snap action 	<b>05</b>	
<b>Weight</b>	<b>kg</b>	
<b>Pack</b>	<b>pcs</b>	
<b>Cable entry</b>		

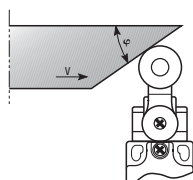
Thermoplastic	Contact travel
<b>E20000EI</b>	
<b>E20001EI</b>	
<b>E20002EI</b>	
<b>E20003EI</b>	
<b>E20004EI</b>	
<b>E20005EI</b>	
<b>Weight</b>	<b>kg</b>
<b>Pack</b>	<b>pcs</b>
<b>Cable entry</b>	

Thermoplastic	Contact travel
<b>E20000EIRA</b>	
<b>E20001EIRA</b>	
<b>E20002EIRA</b>	
<b>E20003EIRA</b>	
<b>E20004EIRA</b>	
<b>E20005EIRA</b>	
<b>Weight</b>	<b>kg</b>
<b>Pack</b>	<b>pcs</b>
<b>Cable entry</b>	

 standard article  article on request



Drive cam operating parameters



$\varphi$	V max (m/s)
30°	1,5
45°	1
60°	0,75
60-90°	0,25

Min. force (cNm)
for tripping
for positive opening



E•50

Ø50 mm rubber roller lever



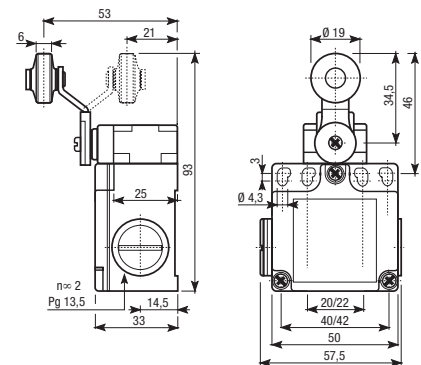
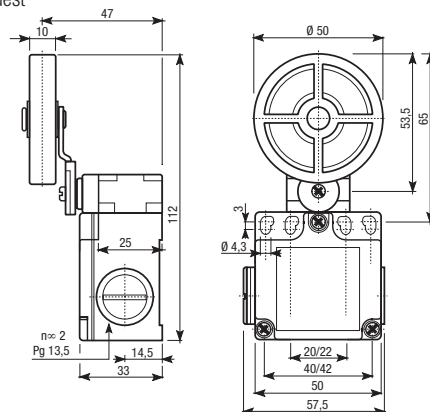
Thermoplastic roller lever

Contact block		
1NO+1NC snap action		<b>00</b>
1NO+1NC slow action		<b>01</b>
1NO+1NC slow overlap.		<b>02</b>
2NO slow action		<b>03</b>
2NC slow action		<b>04</b>
2NC snap action		<b>05</b>
<b>Weight</b>	<b>kg</b>	
<b>Pack</b>	<b>pcs</b>	
<b>Cable entry</b>		

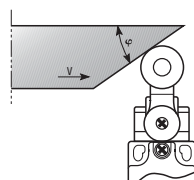
Thermoplastic	Contact travel
<b>E20000EI50</b>	
<b>E20001EI50</b>	
<b>E20002EI50</b>	
<b>E20003EI50</b>	
<b>E20004EI50</b>	
<b>E20005EI50</b>	
<b>0,175</b>	
<b>1</b>	
<b>Pg 13,5</b>	

Thermoplastic	Contact travel
<b>E20000II</b>	
<b>E20001II</b>	
<b>E20002II</b>	
<b>E20003II</b>	
<b>E20004II</b>	
<b>E20005II</b>	
<b>0,160</b>	
<b>1</b>	
<b>Pg 13,5</b>	

standard article article on request



**Drive cam operating parameters**



$\varphi$	V max (m/s)
30°	1,5
45°	1
60°	0,75
60-90°	0,25

Min. force (cNm)	
for tripping	15
for positive opening	35





I•RA

Steel roller lever



I•50

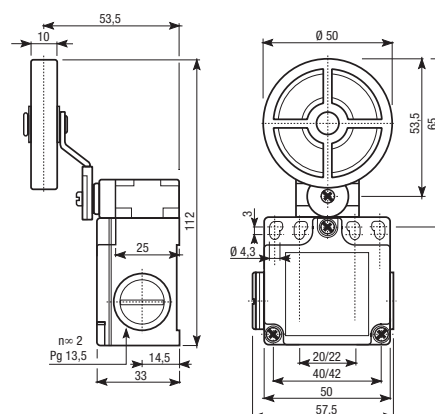
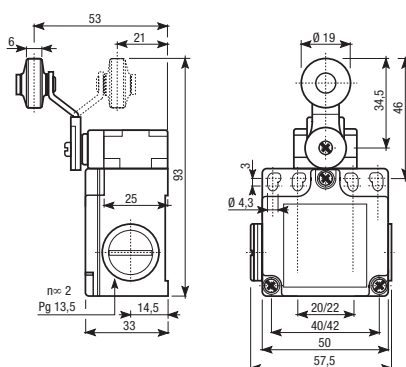
Ø50 mm rubber roller lever

Contact block		
1NO+1NC snap action		<b>00</b>
1NO+1NC slow action		<b>01</b>
1NO+1NC slow overlap.		<b>02</b>
2NO slow action		<b>03</b>
2NC slow action		<b>04</b>
2NC snap action		<b>05</b>
<b>Weight</b>	<b>kg</b>	
<b>Pack</b>	<b>pcs</b>	
<b>Cable entry</b>		

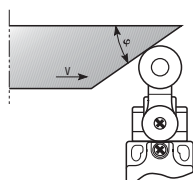
Thermoplastic	Contact travel
<b>E20000IIRA</b>	
<b>E20001IIRA</b>	
<b>E20002IIRA</b>	
<b>E20003IIRA</b>	
<b>E20004IIRA</b>	
<b>E20005IIRA</b>	
<b>0,160</b>	
<b>1</b>	
<b>Pg 13,5</b>	

Thermoplastic	Contact travel
<b>E20000II50</b>	
<b>E20001II50</b>	
<b>E20002II50</b>	
<b>E20003II50</b>	
<b>E20004II50</b>	
<b>E20005II50</b>	
<b>0,170</b>	
<b>1</b>	
<b>Pg 13,5</b>	

standard article article on request



Drive cam operating parameters



$\varphi$	V max (m/s)
30°	1,5
45°	1
60°	0,75
60-90°	0,25

Min. force (cNm)	
for tripping	15
for positive opening	35



F

Thermoplastic roller variable length lever



F•50

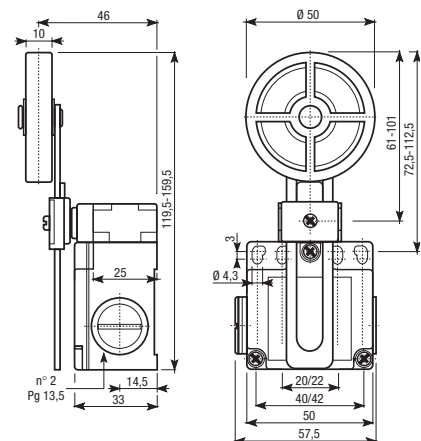
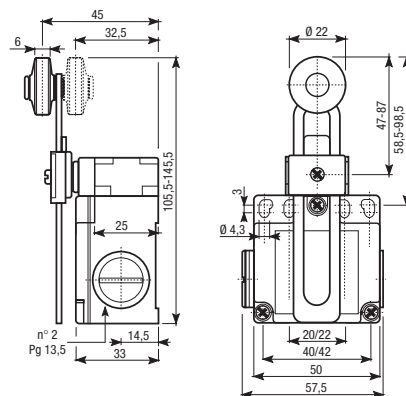
Ø50 mm rubber roller variable length lever

Contact block		
1NO+1NC snap action		<b>00</b>
1NO+1NC slow action		<b>01</b>
1NO+1NC slow overlap.		<b>02</b>
2NO slow action		<b>03</b>
2NC slow action		<b>04</b>
2NC snap action		<b>05</b>
<b>Weight</b>	<b>kg</b>	
<b>Pack</b>	<b>pcs</b>	
<b>Cable entry</b>		

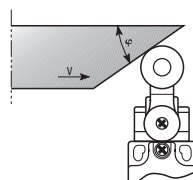
Thermoplastic	Contact travel
<b>E20000FI</b>	
<b>E20001FI</b>	
<b>E20002FI</b>	
<b>E20003FI</b>	
<b>E20004FI</b>	
<b>E20005FI</b>	
<b>Weight</b>	<b>kg</b>
<b>Pack</b>	<b>pcs</b>
<b>Cable entry</b>	

Thermoplastic	Contact travel
<b>E20000FI50</b>	
<b>E20001FI50</b>	
<b>E20002FI50</b>	
<b>E20003FI50</b>	
<b>E20004FI50</b>	
<b>E20005FI50</b>	
<b>Weight</b>	<b>kg</b>
<b>Pack</b>	<b>pcs</b>
<b>Cable entry</b>	

standard article article on request



Drive cam operating parameters



$\varphi$	V max (m/s)
30°	1,5
45°	1
60°	0,75
60-90°	0,25

Min. force (cNm)	
for tripping	15
for positive opening	35



FR•50

Ø50 mm rubber roller adjustable lever



G

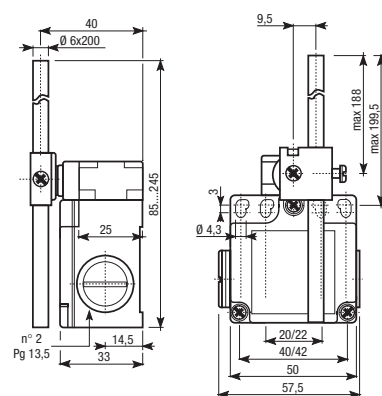
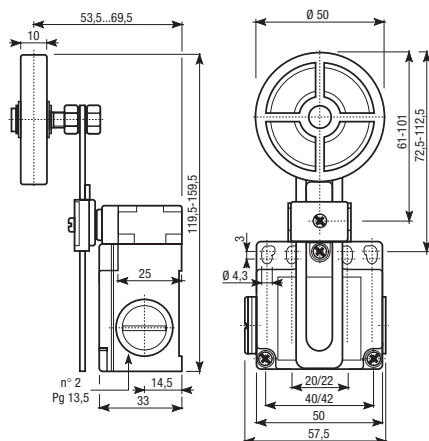
Side rotary adjustable Ø6 mm glass fiber rod

Contact block		
1NO+1NC snap action		<b>00</b>
1NO+1NC slow action		<b>01</b>
1NO+1NC slow overlap.		<b>02</b>
2NO slow action		<b>03</b>
2NC slow action		<b>04</b>
2NC snap action		<b>05</b>
<b>Weight</b>	<b>kg</b>	
<b>Pack</b>	<b>pcs</b>	
<b>Cable entry</b>		

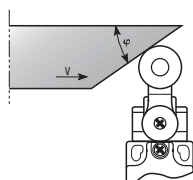
Thermoplastic	Contact travel
<b>E20000FRI50</b>	
<b>E20001FRI50</b>	
<b>E20002FRI50</b>	
<b>E20003FRI50</b>	
<b>E20004FRI50</b>	
<b>E20005FRI50</b>	
<b>0,210</b>	
<b>1</b>	
<b>Pg 13,5</b>	

Thermoplastic	Contact travel
<b>E20000GI</b>	
<b>E20001GI</b>	
<b>E20002GI</b>	
<b>E20003GI</b>	
<b>E20004GI</b>	
<b>E20005GI</b>	
<b>0,190</b>	
<b>1</b>	
<b>Pg 13,5</b>	

standard article article on request



Drive cam operating parameters



φ	V max (m/s)
30°	1,5
45°	1
60°	0,75
60-90°	0,25

Min. force (cNm)	
for tripping	15
for positive opening	35



H

Side rotary adjustable Ø6 mm aluminium rod



L

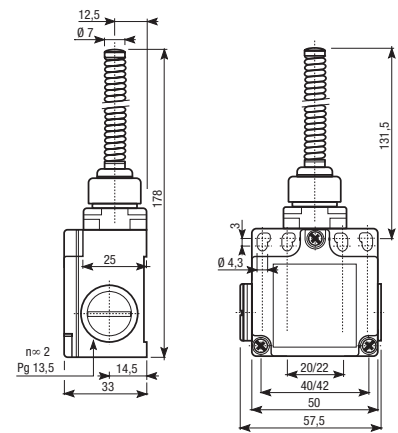
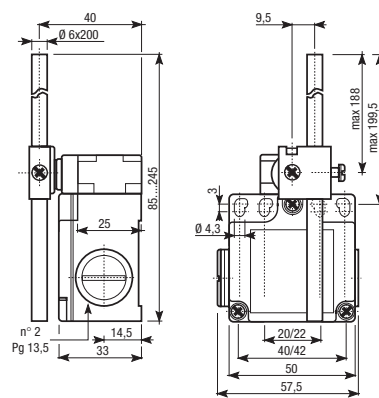
Flexible rod

Contact block	
1NO+1NC snap action 	<b>00</b>
1NO+1NC slow action 	<b>01</b>
1NO+1NC slow overlap. 	<b>02</b>
2NO slow action action 	<b>03</b>
2NC slow action action 	<b>04</b>
2NC snap action 	<b>05</b>
<b>Weight</b>	<b>kg</b>
<b>Pack</b>	<b>pcs</b>
<b>Cable entry</b>	

Thermoplastic	Contact travel
<b>E20000HI</b>	
<b>E20001HI</b>	
<b>E20002HI</b>	
<b>E20003HI</b>	
<b>E20004HI</b>	
<b>E20005HI</b>	
0,190	
1	
Pg 13,5	

Thermoplastic	Contact travel
<b>E20000LI</b>	
<b>E20001LI</b>	
<b>E20002LI</b>	
<b>E20003LI</b>	
<b>E20004LI</b>	
<b>E20005LI</b>	
0,160	
1	
Pg 13,5	

standard article article on request





LP

Flexible rod with plastic terminal



LS

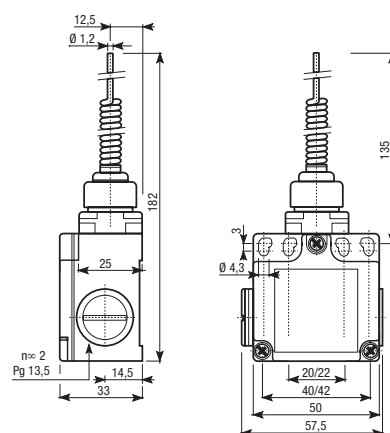
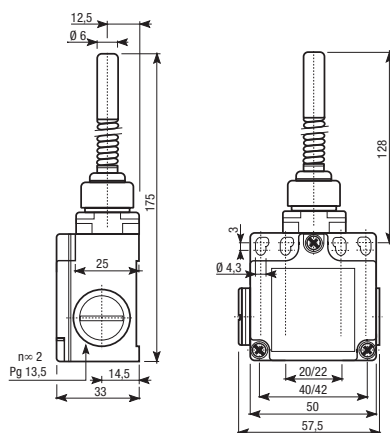
Cat's whisker

Contact block		
1NO+1NC snap action		<b>00</b>
1NO+1NC slow action		<b>01</b>
1NO+1NC slow overlap.		<b>02</b>
2NO slow action		<b>03</b>
2NC slow action		<b>04</b>
2NC snap action		<b>05</b>
<b>Weight</b>	<b>kg</b>	
<b>Pack</b>	<b>pcs</b>	
<b>Cable entry</b>		

Thermoplastic	Contact travel
<b>E20000LPI</b>	
<b>E20001LPI</b>	
<b>E20002LPI</b>	
<b>E20003LPI</b>	
<b>E20004LPI</b>	
<b>E20005LPI</b>	
<b>0,160</b>	
<b>1</b>	
<b>Pg 13,5</b>	

Thermoplastic	Contact travel
<b>E20000LSI</b>	
<b>E20001LSI</b>	
<b>E20002LSI</b>	
<b>E20003LSI</b>	
<b>E20004LSI</b>	
<b>E20005LSI</b>	
<b>0,160</b>	
<b>1</b>	
<b>Pg 13,5</b>	

standard article article on request

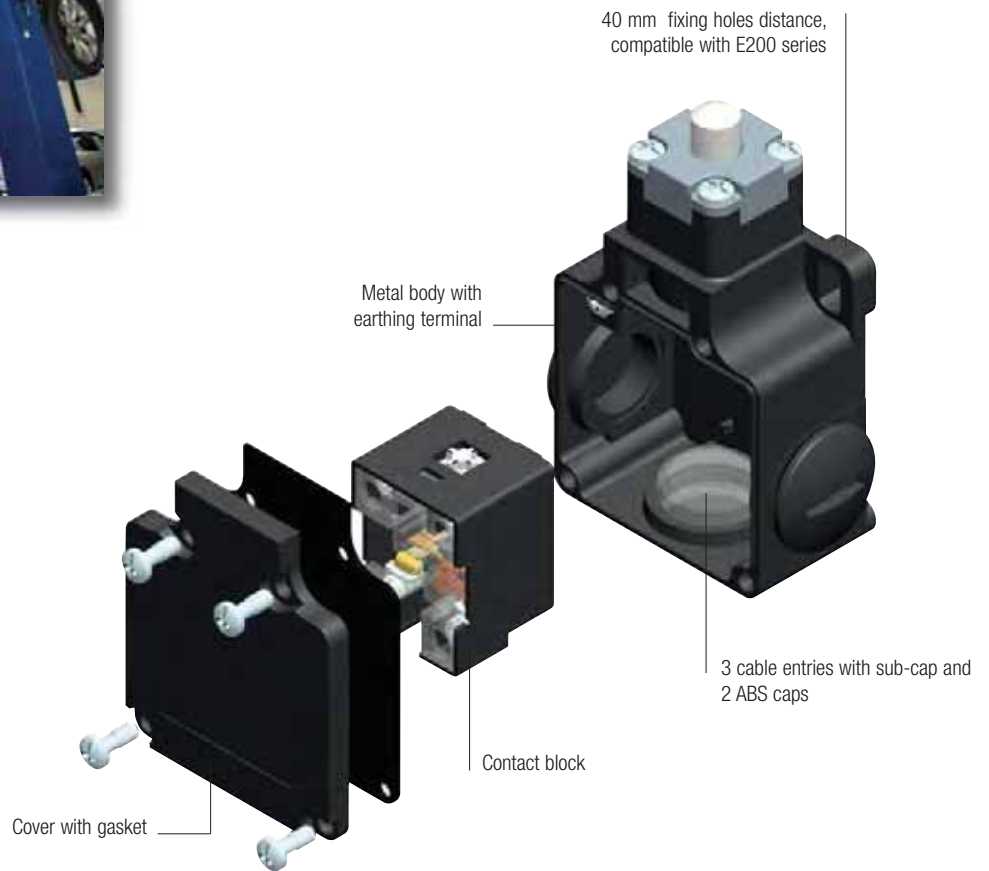




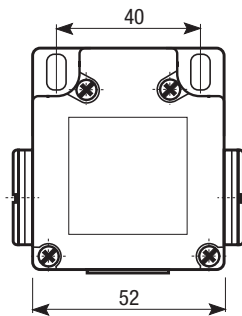
The **E300** series is designed to withstand to the most severe conditions. It has two fixing holes with distance 40mm. Each switch has three cable entries, two on each side and one on the bottom, for maximum wiring flexibility. Available with metal body and actuators.

**In conformity with standards:**

IEC EN 60947-5-1 • EN 60947-1 • UNI EN 1088 • EN ISO 12100-1  
EN ISO 12100-2 • IEC 529 • EN 60529 • VDE 0660-200 • VDE 0113



**Fixing**  
2 fixing holes  
with 40 mm  
distance



**Cable entry**  
3 cable entries,  
2 on the sides and  
one the bottom  
of the switch with  
thread:



**Thread**

Pg 13,5  
M20 (on request)  
1/2" NPT (on request)

**Series part no.**

E300...  
E301...  
E302...



Steel plunger

A



Steel plunger with rubber gasket

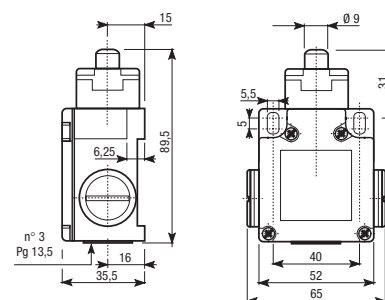
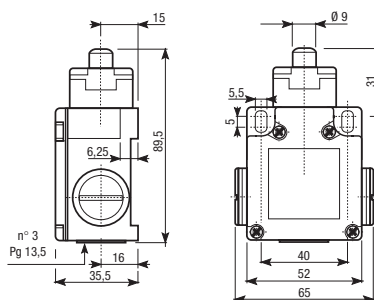
A•S1

Contact block		
1NO+1NC snap action		<b>00</b>
1NO+1NC slow action		<b>01</b>
1NO+1NC slow overlap.		<b>02</b>
2NO slow action		<b>03</b>
2NC slow action		<b>04</b>
2NC snap action		<b>05</b>
<b>Weight</b>	<b>kg</b>	
<b>Pack</b>	<b>pcs</b>	
<b>Cable entry</b>		

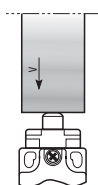
Metal	Contact travel
<b>E30000AM</b>	
<b>E30001AM</b>	
<b>E30002AM</b>	
<b>E30003AM</b>	
<b>E30004AM</b>	
<b>E30005AM</b>	
0,320	
1	
Pg 13,5	

Metal	Contact travel
<b>E30000AMS1</b>	
<b>E30001AMS1</b>	
<b>E30002AMS1</b>	
<b>E30003AMS1</b>	
<b>E30004AMS1</b>	
<b>E30005AMS1</b>	
0,320	
1	
Pg 13,5	

standard article article on request



Drive cam operating parameters



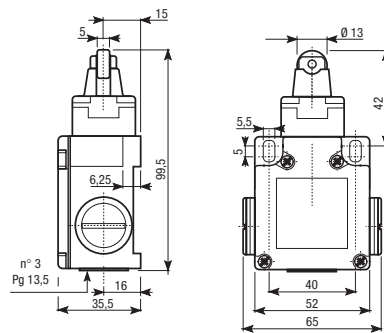
V max (m/s)	0,5
Min. force (N)	
for tripping	9
for positive opening	28



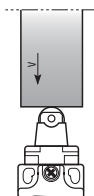
Steel roller plunger

Contact block		Metal	Contact travel
1NO+1NC snap action  <b>00</b>	<b>E30000BM</b>		
1NO+1NC slow action  <b>01</b>	<b>E30001BM</b>		
1NO+1NC slow overlap.  <b>02</b>	<b>E30002BM</b>		
2NO slow action  <b>03</b>	<b>E30003BM</b>		
2NC slow action  <b>04</b>	<b>E30004BM</b>		
2NC snap action  <b>05</b>	<b>E30005BM</b>		
<b>Weight</b>	<b>kg</b>	0,320	
<b>Pack</b>	<b>pcs</b>	1	
<b>Cable entry</b>		Pg 13,5	

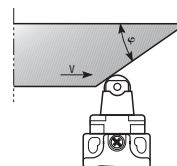
standard article article on request



Drive cam operating parameters



V max (m/s)	0,5
Min. force (N) for tripping	9
for positive opening	28



$\varphi$	V max (m/s)
20°	1
30°	0,5
Min. force (N) for tripping	9
for positive opening	28





C

Thermoplastic roller lever, side actuation



C•S1

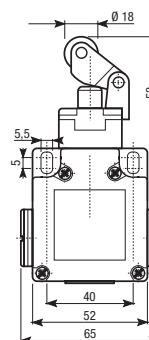
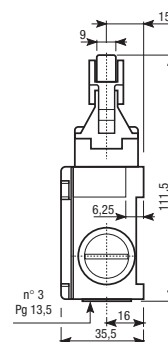
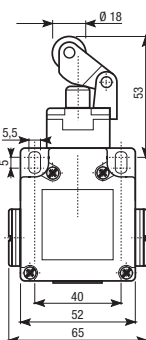
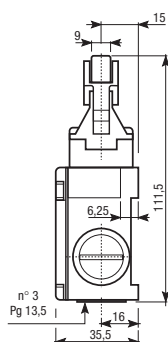
Thermoplastic roller lever with rubber gasket, side actuation

Contact block		
1NO+1NC snap action		<b>00</b>
1NO+1NC slow action		<b>01</b>
1NO+1NC slow overlap.		<b>02</b>
2NO slow action		<b>03</b>
2NC slow action		<b>04</b>
2NC snap action		<b>05</b>
<b>Weight</b>	<b>kg</b>	
<b>Pack</b>	<b>pcs</b>	
<b>Cable entry</b>		

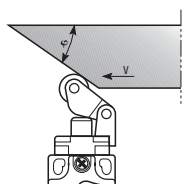
Metal	Contact travel
<b>E30000CM</b>	
<b>E30001CM</b>	
<b>E30002CM</b>	
<b>E30003CM</b>	
<b>E30004CM</b>	
<b>E30005CM</b>	
0,325	
1	
Pg 13,5	

Metal	Contact travel
<b>E30000CMS1</b>	
<b>E30001CMS1</b>	
<b>E30002CMS1</b>	
<b>E30003CMS1</b>	
<b>E30004CMS1</b>	
<b>E30005CMS1</b>	
0,325	
1	
Pg 13,5	

standard article article on request



Drive cam operating parameters



$\varphi$	V max (m/s)
20°	1
30°	0,5

Min. force (N)	
for tripping	9
for positive opening	26



D

Thermoplastic roller lever, vertical actuation



D•S1

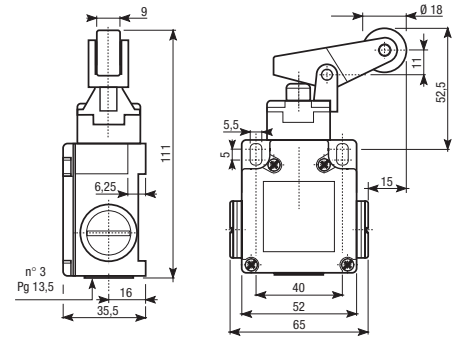
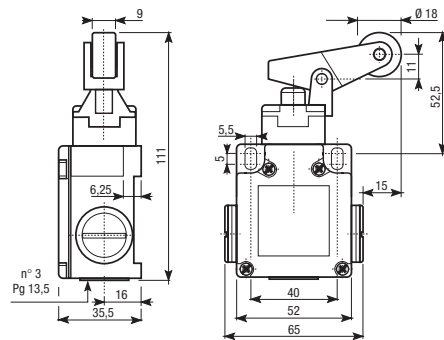
Thermoplastic roller lever with rubber gasket, vertical actuation

Contact block		
1NO+1NC snap action		<b>00</b>
1NO+1NC slow action		<b>01</b>
1NO+1NC slow overlap.		<b>02</b>
2NO slow action		<b>03</b>
2NC slow action		<b>04</b>
2NC snap action		<b>05</b>
<b>Weight</b>	<b>kg</b>	
<b>Pack</b>	<b>pcs</b>	
<b>Cable entry</b>		

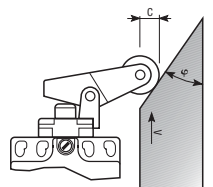
Metal	Contact travel
<b>E30000DM</b>	
<b>E30001DM</b>	
<b>E30002DM</b>	
<b>E30003DM</b>	
<b>E30004DM</b>	
<b>E30005DM</b>	
<b>0,325</b>	
<b>1</b>	
<b>Pg 13,5</b>	

Metal	Contact travel
<b>E30000DMS1</b>	
<b>E30001DMS1</b>	
<b>E30002DMS1</b>	
<b>E30003DMS1</b>	
<b>E30004DMS1</b>	
<b>E30005DMS1</b>	
<b>0,325</b>	
<b>1</b>	
<b>Pg 13,5</b>	

standard article article on request



Drive cam operating parameters



$\varphi$	V max (m/s)
20°	1
30°	0,5

Min. force (N)	
for tripping	9
for positive opening	26



Thermoplastic roller lever

E



Steel roller lever

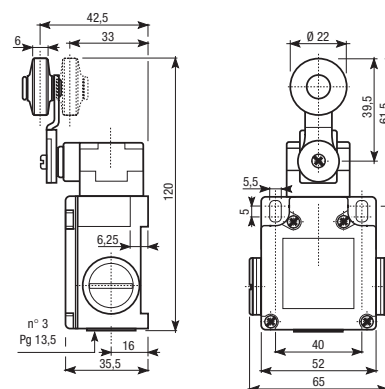
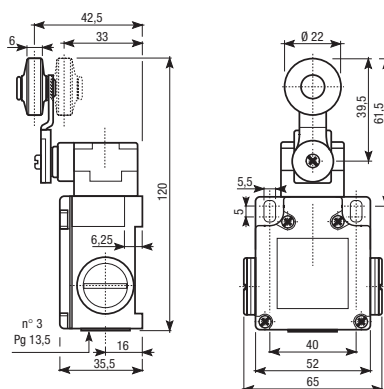
E•RA

Contact block		
1NO+1NC snap action		<b>00</b>
1NO+1NC slow action		<b>01</b>
1NO+1NC slow overlap.		<b>02</b>
2NO slow action		<b>03</b>
2NC slow action		<b>04</b>
2NC snap action		<b>05</b>
<b>Weight</b>	<b>kg</b>	
<b>Pack</b>	<b>pcs</b>	
<b>Cable entry</b>		

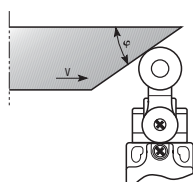
Metal	Contact travel
<b>E30000EM</b>	
<b>E30001EM</b>	
<b>E30002EM</b>	
<b>E30003EM</b>	
<b>E30004EM</b>	
<b>E30005EM</b>	
<b>0,355</b>	
<b>1</b>	
<b>Pg 13,5</b>	

Metal	Contact travel
<b>E30000EMRA</b>	
<b>E30001EMRA</b>	
<b>E30002EMRA</b>	
<b>E30003EMRA</b>	
<b>E30004EMRA</b>	
<b>E30005EMRA</b>	
<b>0,355</b>	
<b>1</b>	
<b>Pg 13,5</b>	

standard article article on request



Drive cam operating parameters



$\varphi$	V max (m/s)
30°	1,5
45°	1
60°	0,75
60-90°	0,25

Min. force (cNm)	
for tripping	15
for positive opening	35


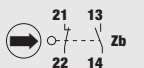
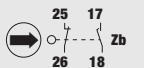
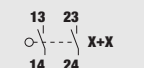
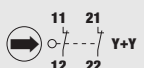
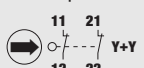


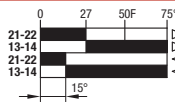
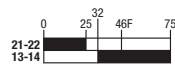
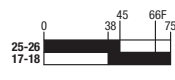
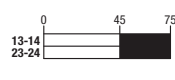
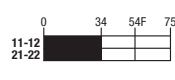

E•50

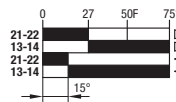
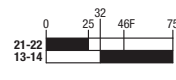
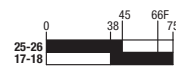
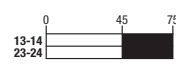
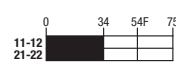

Ø50 mm rubber roller lever



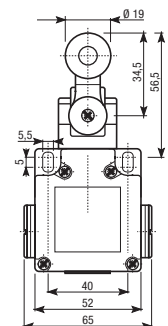
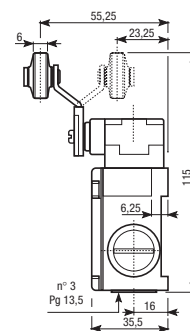
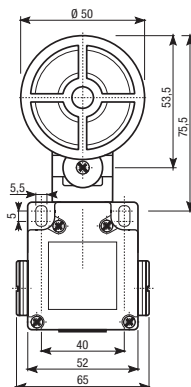
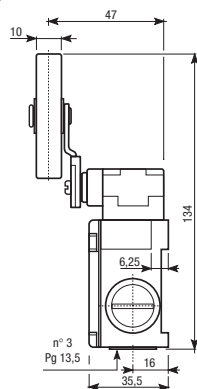
Thermoplastic roller lever

Contact block		
1NO+1NC snap action		<b>00</b>
1NO+1NC slow action		<b>01</b>
1NO+1NC slow overlap.		<b>02</b>
2NO slow action		<b>03</b>
2NC slow action		<b>04</b>
2NC snap action		<b>05</b>
<b>Weight</b>	<b>kg</b>	
<b>Pack</b>	<b>pcs</b>	
<b>Cable entry</b>		

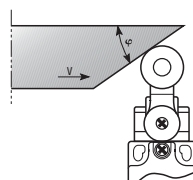
Metal	Contact travel
<b>E30000EM50</b>	
<b>E30001EM50</b>	
<b>E30002EM50</b>	
<b>E30003EM50</b>	
<b>E30004EM50</b>	
<b>E30005EM50</b>	
<b>0,365</b>	
<b>1</b>	
<b>Pg 13,5</b>	

Metal	Contact travel
<b>E30000IM</b>	
<b>E30001IM</b>	
<b>E30002IM</b>	
<b>E30003IM</b>	
<b>E30004IM</b>	
<b>E30005IM</b>	
<b>0,355</b>	
<b>1</b>	
<b>Pg 13,5</b>	

 standard article  article on request



### Drive cam operating parameters



φ	V max (m/s)
30°	1,5
45°	1
60°	0,75
60-90°	0,25

Min. force (cNm)	
for tripping	15
for positive opening	35



I•RA

Steel roller lever



I•50

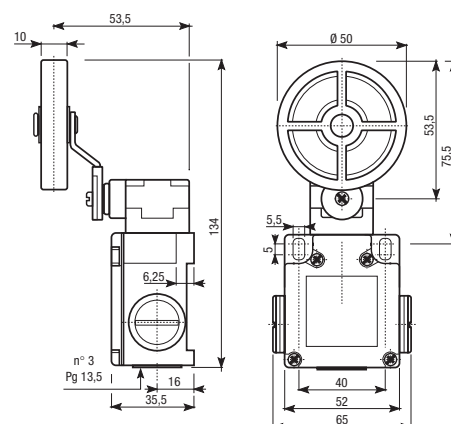
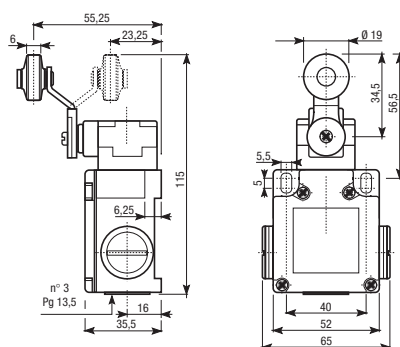
Ø50 mm rubber roller lever

Contact block		
1NO+1NC snap action		<b>00</b>
1NO+1NC slow action		<b>01</b>
1NO+1NC slow overlap.		<b>02</b>
2NO slow action		<b>03</b>
2NC slow action		<b>04</b>
2NC snap action		<b>05</b>
<b>Weight</b>	<b>kg</b>	
<b>Pack</b>	<b>pcs</b>	
<b>Cable entry</b>		

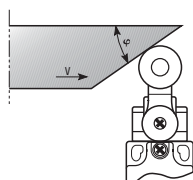
Metal	Contact travel
<b>E30000IMRA</b>	
<b>E30001IMRA</b>	
<b>E30002IMRA</b>	
<b>E30003IMRA</b>	
<b>E30004IMRA</b>	
<b>E30005IMRA</b>	
<b>0,355</b>	
<b>1</b>	
<b>Pg 13,5</b>	

Metal	Contact travel
<b>E30000IM50</b>	
<b>E30001IM50</b>	
<b>E30002IM50</b>	
<b>E30003IM50</b>	
<b>E30004IM50</b>	
<b>E30005IM50</b>	
<b>0,365</b>	
<b>1</b>	
<b>Pg 13,5</b>	

standard article article on request



Drive cam operating parameters



$\varphi$	V max (m/s)
30°	1,5
45°	1
60°	0,75
60-90°	0,25

Min. force (cNm)	
for tripping	15
for positive opening	35



F

Thermoplastic roller variable length lever



F•50

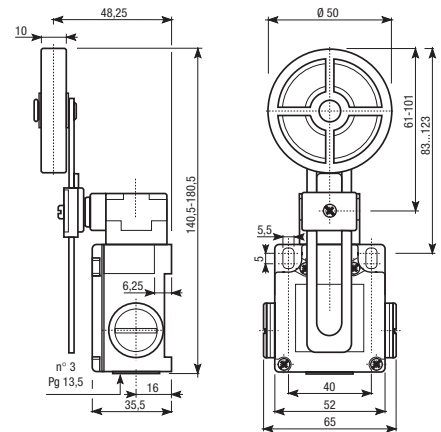
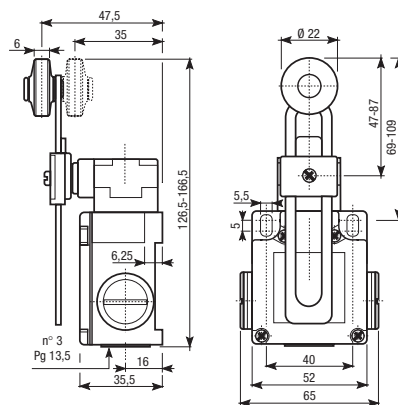
Ø50 mm rubber roller variable length lever

Contact block	
1NO+1NC snap action 	<b>00</b>
1NO+1NC slow action 	<b>01</b>
1NO+1NC slow overlap. 	<b>02</b>
2NO slow action 	<b>03</b>
2NC slow action 	<b>04</b>
2NC snap action 	<b>05</b>
<b>Weight</b>	kg
<b>Pack</b>	pcs
<b>Cable entry</b>	

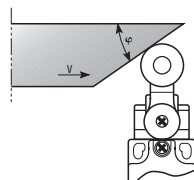
Metal	Contact travel
<b>E30000FM</b>	
<b>E30001FM</b>	
<b>E30002FM</b>	
<b>E30003FM</b>	
<b>E30004FM</b>	
<b>E30005FM</b>	
<b>Weight</b>	0,375
<b>Pack</b>	1
<b>Cable entry</b>	Pg 13,5

Metal	Contact travel
<b>E30000FM50</b>	
<b>E30001FM50</b>	
<b>E30002FM50</b>	
<b>E30003FM50</b>	
<b>E30004FM50</b>	
<b>E30005FM50</b>	
<b>Weight</b>	0,385
<b>Pack</b>	1
<b>Cable entry</b>	Pg 13,5

standard article article on request



Drive cam operating parameters



$\varphi$	V max (m/s)
30°	1,5
45°	1
60°	0,75
60-90°	0,25

Min. force (cNm)	
for tripping	15
for positive opening	35



FR•50

Ø50 mm rubber roller adjustable lever



G

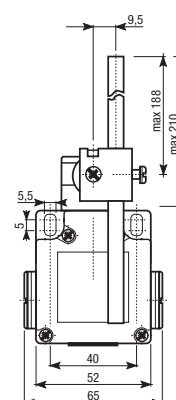
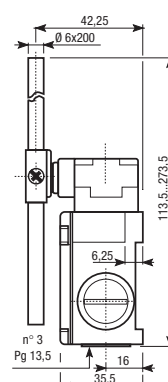
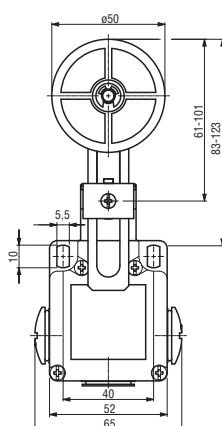
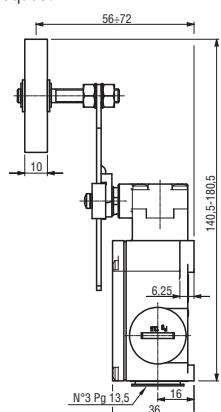
Side rotary adjustable Ø6 mm glass fiber rod

Contact block		
1NO+1NC snap action		<b>00</b>
1NO+1NC slow action		<b>01</b>
1NO+1NC slow overlap.		<b>02</b>
2NO slow action		<b>03</b>
2NC slow action		<b>04</b>
2NC snap action		<b>05</b>
<b>Weight</b>	<b>kg</b>	
<b>Pack</b>	<b>pcs</b>	
<b>Cable entry</b>		

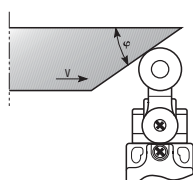
Metal	Contact travel
<b>E3000FRM50</b>	
<b>E30001FRM50</b>	
<b>E30002FRM50</b>	
<b>E30003FRM50</b>	
<b>E30004FRM50</b>	
<b>E30005FRM50</b>	
<b>0,395</b>	
<b>1</b>	
<b>Pg 13,5</b>	

Metal	Contact travel
<b>E3000GM</b>	
<b>E30001GM</b>	
<b>E30002GM</b>	
<b>E30003GM</b>	
<b>E30004GM</b>	
<b>E30005GM</b>	
<b>0,385</b>	
<b>1</b>	
<b>Pg 13,5</b>	

standard article article on request



Drive cam operating parameters



$\varphi$	V max (m/s)
30°	1,5
45°	1
60°	0,75
60-90°	0,25

Min. force (cNm)	
for tripping	15
for positive opening	35



H

Side rotary adjustable Ø6 mm aluminium rod



L

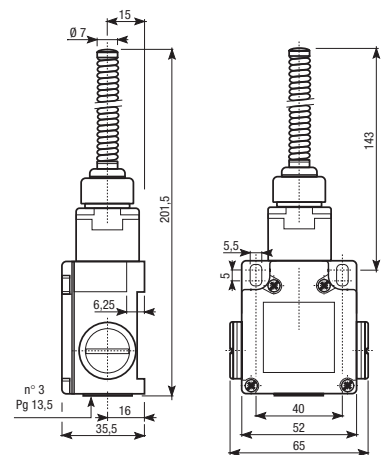
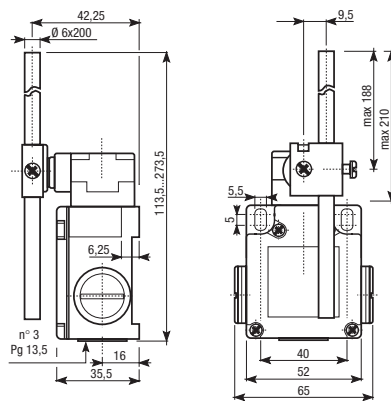
Flexible rod

Contact block		
1NO+1NC snap action		<b>00</b>
1NO+1NC slow action		<b>01</b>
1NO+1NC slow overlap.		<b>02</b>
2NO slow action		<b>03</b>
2NC slow action		<b>04</b>
2NC snap action		<b>05</b>
<b>Weight</b>	<b>kg</b>	
<b>Pack</b>	<b>pcs</b>	
<b>Cable entry</b>		

Metal	Contact travel
<b>E30000HM</b>	
<b>E30001HM</b>	
<b>E30002HM</b>	
<b>E30003HM</b>	
<b>E30004HM</b>	
<b>E30005HM</b>	
<b>0,385</b>	
<b>1</b>	
<b>Pg 13,5</b>	

Metal	Contact travel
<b>E30000LM</b>	
<b>E30001LM</b>	
<b>E30002LM</b>	
<b>E30003LM</b>	
<b>E30004LM</b>	
<b>E30005LM</b>	
<b>0,350</b>	
<b>1</b>	
<b>Pg 13,5</b>	

standard article article on request







LP

Flexible rod with plastic terminal



LS

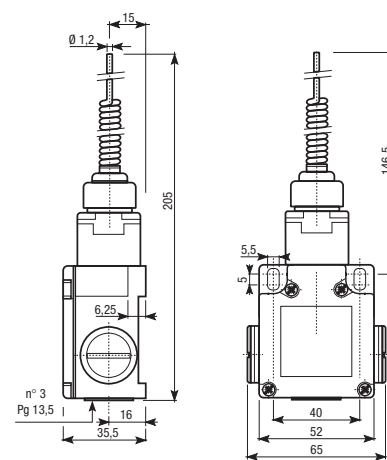
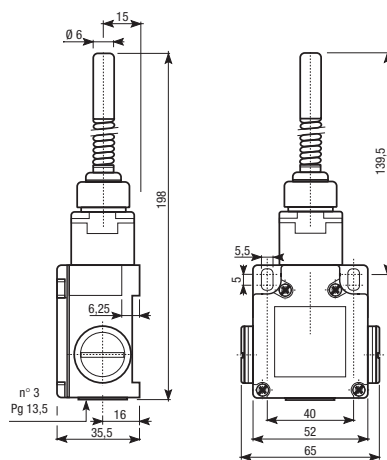
Cat's whisker

Contact block		
1NO+1NC snap action		<b>00</b>
1NO+1NC slow action		<b>01</b>
1NO+1NC slow overlap.		<b>02</b>
2NO slow action		<b>03</b>
2NC slow action		<b>04</b>
2NC snap action		<b>05</b>
<b>Weight</b>	<b>kg</b>	
<b>Pack</b>	<b>pcs</b>	
<b>Cable entry</b>		

Metal	Contact travel
<b>E30000LPM</b>	
<b>E30001LPM</b>	
<b>E30002LPM</b>	
<b>E30003LPM</b>	
<b>E30004LPM</b>	
<b>E30005LPM</b>	
<b>0,350</b>	
<b>1</b>	
<b>Pg 13,5</b>	

Metal	Contact travel
<b>E30000LSM</b>	
<b>E30001LSM</b>	
<b>E30002LSM</b>	
<b>E30003LSM</b>	
<b>E30004LSM</b>	
<b>E30005LSM</b>	
<b>0,350</b>	
<b>1</b>	
<b>Pg 13,5</b>	

standard article article on request





The **E400** series is the most robust of ERSCE position switches. Dimensions are in accordance with CENELEC EN 50041, 4 fixing holes with distance 30 mm. It is equipped with one hole for cable entry on the bottom of the switch. Available with metal actuators and thermoplastic or metal body.

**In conformity with standards:**

IEC EN 60947-5-1 • EN 60947-1 • EN 500041 • UNI EN 1088 • EN ISO 12100-1  
EN ISO 12100-2 • IEC 529 • EN 60529 • VDE 0660-200 • VDE 0113



4 fixing points, 2 with slot to achieve a precise positioning

Body in accordance with CENELEC EN50041, fixing holes distance 30 mm



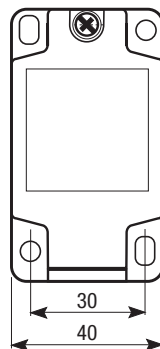
Contact block

One cable entry with sub-cap

Cover with gasket

**Fixing**

body in accordance with CENELEC EN50041, with 4 fixing holes with 30 mm horizontal distance.



**Cable entry**

1 cable entry on the bottom of the switch with thread:



**Thread**

Pg 13,5  
M20 (on request)  
1/2" NPT (on request)

**Series part no.**

E400...  
E401...  
E402...



Steel plunger

A



Steel plunger with rubber gasket

A•S1

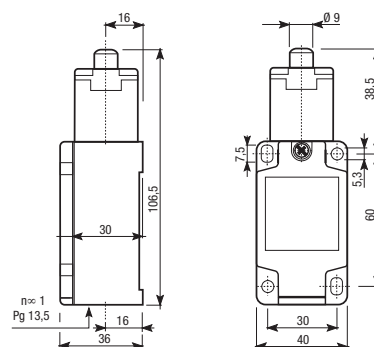
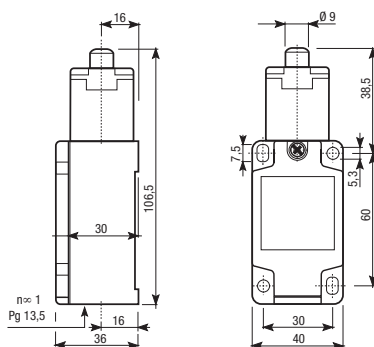
Contact block	
1NO+1NC snap action  13 21 14 22 Zb <b>00</b>	
1NO+1NC slow action  21 13 22 14 Zb <b>01</b>	
1NO+1NC slow overlap.  25 17 26 18 Zb <b>02</b>	
2NO slow action  13 23 14 24 X+X <b>03</b>	
2NC slow action  11 21 12 22 Y+Y <b>04</b>	
2NC snap action  11 21 12 22 Y+Y <b>05</b>	
Weight	kg
Pack	pcs
Cable entry	

Thermoplastic	Metal	Contact travel
E40000AI *	E40000AM *	
E40001AI *	E40001AM *	
E40002AI	E40002AM	
E40003AI	E40003AM	
E40004AI	E40004AM	
E40005AI	E40005AM	
0,245	0,360	
1		
Pg 13,5		

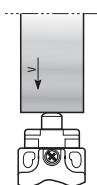
Thermoplastic	Metal	Contact travel
E40000AIS1 *	E40000AMS1 *	
E40001AIS1 *	E40001AMS1 *	
E40002AIS1	E40002AMS1	
E40003AIS1	E40003AMS1	
E40004AIS1	E40004AMS1	
E40005AIS1	E40005AMS1	
0,245	0,360	
1		
Pg 13,5		

standard article article on request

\* form conforming to EN 50041




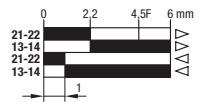
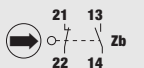
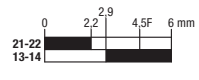
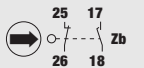
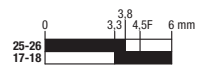
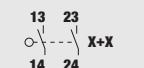
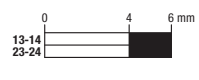
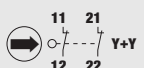
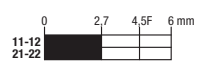
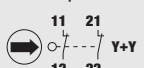

Drive cam operating parameters



V max (m/s)	0,5
Min. force (N)	
for tripping	9
for positive opening	28

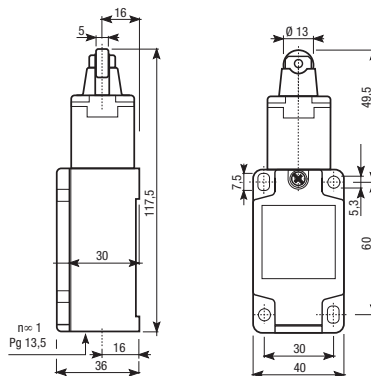


Steel roller plunger

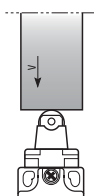
Contact block		Thermoplastic	Metal	Contact travel
1NO+1NC snap action  Zb	<b>00</b>	E40000BI *	E40000BM *	
1NO+1NC slow action  Zb	<b>01</b>	E40001BI *	E40001BM *	
1NO+1NC slow overlap.  Zb	<b>02</b>	E40002BI	E40002BM	
2NO slow action  X+X	<b>03</b>	E40003BI	E40003BM	
2NC slow action  Y+Y	<b>04</b>	E40004BI	E40004BM	
2NC snap action  Y+Y	<b>05</b>	E40005BI	E40005BM	
<b>Weight</b>	kg	0,255	0,370	
<b>Pack</b>	pcs	1		
<b>Cable entry</b>		Pg 13,5		

 standard article  article on request

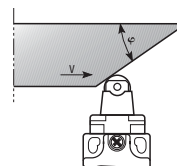
\* form conforming to EN 50041



Drive cam operating parameters



V max (m/s)	0,5
Min. force (N) for tripping	9
for positive opening	28



φ	V max (m/s)
20°	1
30°	0,5
Min. force (N) for tripping	9
for positive opening	28



C

Thermoplastic roller lever, side actuation



C•S1

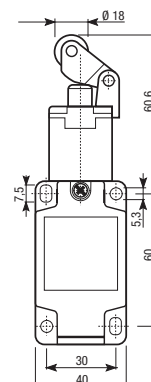
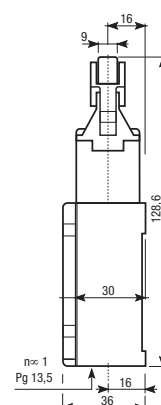
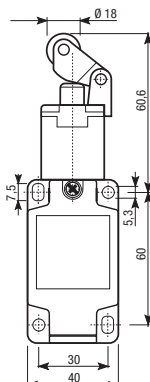
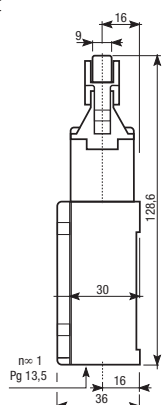
Thermoplastic roller lever with rubber gasket, side actuation

Contact block	
1NO+1NC snap action 	<b>00</b>
1NO+1NC slow action 	<b>01</b>
1NO+1NC slow overlap. 	<b>02</b>
2NO slow action 	<b>03</b>
2NC slow action 	<b>04</b>
2NC snap action 	<b>05</b>
<b>Weight</b>	kg
<b>Pack</b>	pcs
<b>Cable entry</b>	

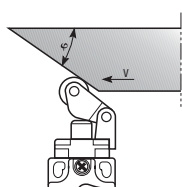
Thermoplastic	Metal	Contact travel
E40000CI	E40000CM	
E40001CI	E40001CM	
E40002CI	E40002CM	
E40003CI	E40003CM	
E40004CI	E40004CM	
E40005CI	E40005CM	
0,255	0,370	
1		
Pg 13,5		

Thermoplastic	Metal	Contact travel
E40000CIS1	E40000CMS1	
E40001CIS1	E40001CMS1	
E40002CIS1	E40002CMS1	
E40003CIS1	E40003CMS1	
E40004CIS1	E40004CMS1	
E40005CIS1	E40005CMS1	
0,255	0,370	
1		
Pg 13,5		

standard article article on request



Drive cam operating parameters



$\varphi$	V max (m/s)
20°	1
30°	0,5

Min. force (N)	
for tripping	9
for positive opening	26



D

Thermoplastic roller lever, vertical actuation



D•S1

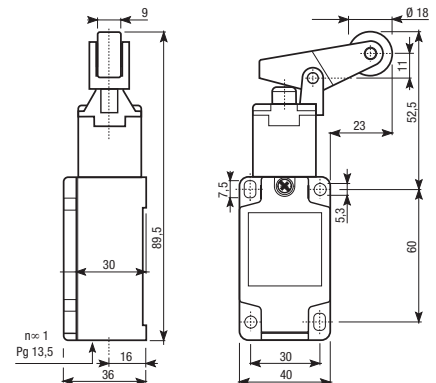
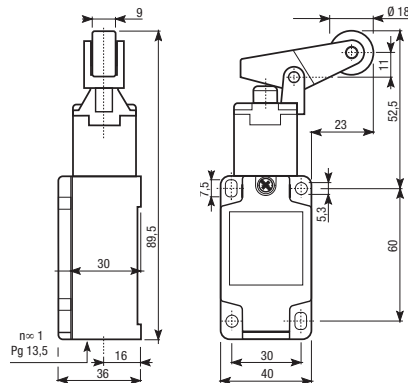
Thermoplastic roller lever with rubber gasket, vertical actuation

Contact block	
1NO+1NC snap action 	<b>00</b>
1NO+1NC slow action 	<b>01</b>
1NO+1NC slow overlap. 	<b>02</b>
2NO slow action 	<b>03</b>
2NC slow action 	<b>04</b>
2NC snap action 	<b>05</b>
<b>Weight</b>	kg
<b>Pack</b>	pcs
<b>Cable entry</b>	

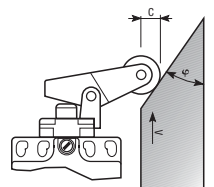
Thermoplastic	Metal	Contact travel
E40000DI	E40000DM	
E40001DI	E40001DM	
E40002DI	E40002DM	
E40003DI	E40003DM	
E40004DI	E40004DM	
E40005DI	E40005DM	
0,255	0,370	
1		
Pg 13,5		

Thermoplastic	Metal	Contact travel
E40000DIS1	E40000DMS1	
E40001DIS1	E40001DMS1	
E40002DIS1	E40002DMS1	
E40003DIS1	E40003DMS1	
E40004DIS1	E40004DMS1	
E40005DIS1	E40005DMS1	
0,255	0,370	
1		
Pg 13,5		

standard article article on request



Drive cam operating parameters



$\varphi$	V max (m/s)
20°	1
30°	0,5

Min. force (N)	
for tripping	9
for positive opening	26



Thermoplastic roller lever

E



Steel roller lever

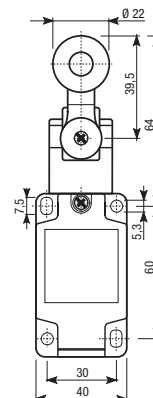
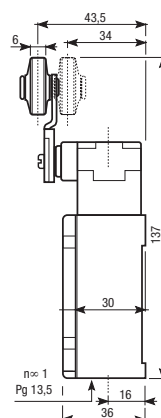
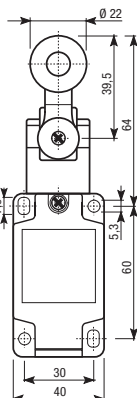
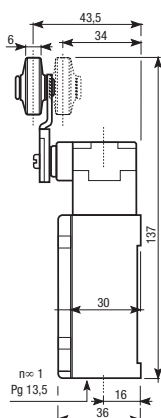
E•RA

Contact block		
1NO+1NC snap action  13 21 14 22	<b>00</b>	Zb
1NO+1NC slow action  21 13 22 14	<b>01</b>	Zb
1NO+1NC slow overlap.  25 17 26 18	<b>02</b>	Zb
2NO slow action  13 23 14 24	<b>03</b>	X+X
2NC slow action  11 21 12 22	<b>04</b>	Y+Y
2NC snap action  11 21 12 22	<b>05</b>	Y+Y
<b>Weight</b>	kg	
<b>Pack</b>	pcs	
<b>Cable entry</b>		

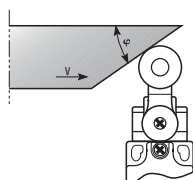
Thermoplastic	Metal	Contact travel
E40000EI	E40000EM	
E40001EI	E40001EM	
E40002EI	E40002EM	
E40003EI	E40003EM	
E40004EI	E40004EM	
E40005EI	E40005EM	
0,285	0,400	
1		
Pg 13,5		

Thermoplastic	Metal	Contact travel
E40000EIRA	E40000EMRA	
E40001EIRA	E40001EMRA	
E40002EIRA	E40002EMRA	
E40003EIRA	E40003EMRA	
E40004EIRA	E40004EMRA	
E40005EIRA	E40005EMRA	
0,285	0,400	
1		
Pg 13,5		

standard article article on request



Drive cam operating parameters



$\varphi$	V max (m/s)
30°	1,5
45°	1
60°	0,75
60-90°	0,25

Min. force (cNm)	
for tripping	25
for positive opening	45




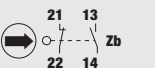
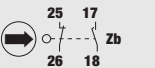
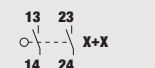
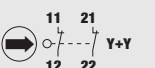
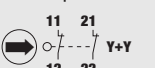
E•50

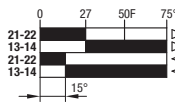
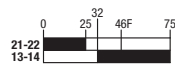
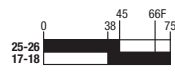
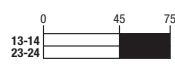
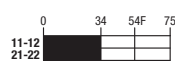

Ø50 mm rubber roller lever

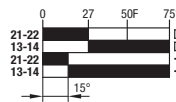
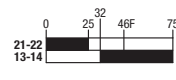
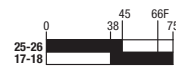
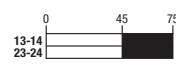
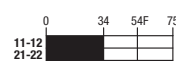



I

Thermoplastic roller lever

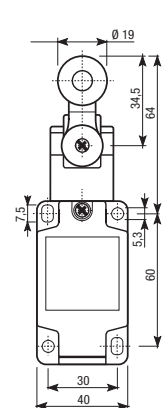
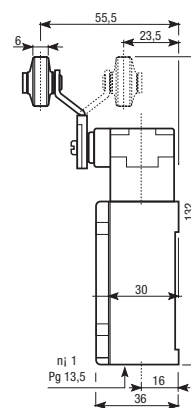
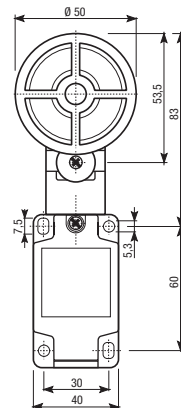
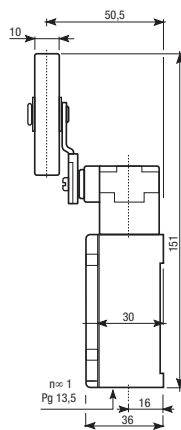
Contact block		
1NO+1NC snap action 	<b>00</b>	Zb
1NO+1NC slow action 	<b>01</b>	Zb
1NO+1NC slow overlap. 	<b>02</b>	Zb
2NO slow action 	<b>03</b>	X+X
2NC slow action 	<b>04</b>	Y+Y
2NC snap action 	<b>05</b>	Y+Y
<b>Weight</b>	<b>kg</b>	
<b>Pack</b>	<b>pcs</b>	
<b>Cable entry</b>		

Thermoplastic	Metal	Contact travel
E40000EI50	E40000EM50	
E40001EI50	E40001EM50	
E40002EI50	E40002EM50	
E40003EI50	E40003EM50	
E40004EI50	E40004EM50	
E40005EI50	E40005EM50	
0,295	0,410	
1		
Pg 13,5		

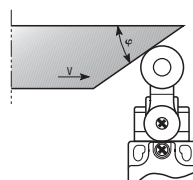
Thermoplastic	Metal	Contact travel
E40000II *	E40000IM *	
E40001II *	E40001IM *	
E40002II	E40002IM	
E40003II	E40003IM	
E40004II	E40004IM	
E40005II	E40005IM	
0,285	0,400	
1		
Pg 13,5		

 standard article  article on request

\* form conforming to EN 50041



Drive cam operating parameters



$\varphi$	V max (m/s)
30°	1,5
45°	1
60°	0,75
60-90°	0,25

Min. force (cNm)	
for tripping	25
for positive opening	45





I•RA

Steel roller lever



I•50

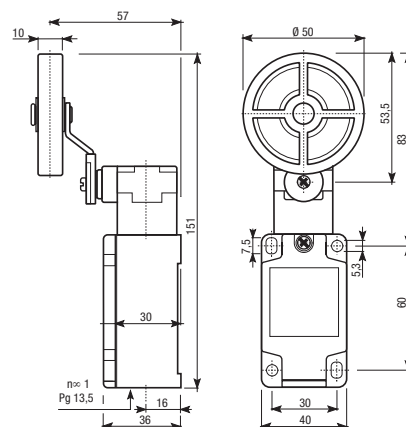
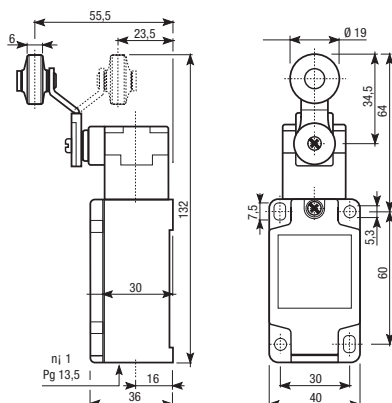
Ø50 mm rubber roller lever

Contact block	
1NO+1NC snap action  13 21 14 22	<b>00</b>
1NO+1NC slow action  21 13 22 14	<b>01</b>
1NO+1NC slow overlap.  25 17 26 18	<b>02</b>
2NO slow action  13 23 14 24	<b>03</b>
2NC slow action  11 21 12 22	<b>04</b>
2NC snap action  11 21 12 22	<b>05</b>
<b>Weight</b>	kg
<b>Pack</b>	pcs
<b>Cable entry</b>	

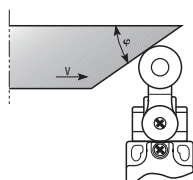
Thermoplastic	Metal	Contact travel
E40000IIRA	E40000IMRA	
E40001IIRA	E40001IMRA	
E40002IIRA	E40002IMRA	
E40003IIRA	E40003IMRA	
E40004IIRA	E40004IMRA	
E40005IIRA	E40005IMRA	
0,285	0,400	
1		
Pg 13,5		

Thermoplastic	Metal	Contact travel
E40000I150	E40000IM50	
E40001I150	E40001IM50	
E40002I150	E40002IM50	
E40003I150	E40003IM50	
E40004I150	E40004IM50	
E40005I150	E40005IM50	
0,295	0,410	
1		
Pg 13,5		

standard article article on request



Drive cam operating parameters



φ	V max (m/s)
30°	1,5
45°	1
60°	0,75
60-90°	0,25

Min. force (cNm)	
for tripping	25
for positive opening	45



F

Thermoplastic roller variable length lever



F•50

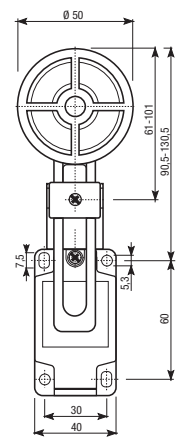
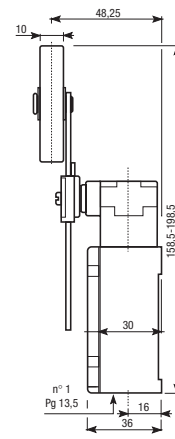
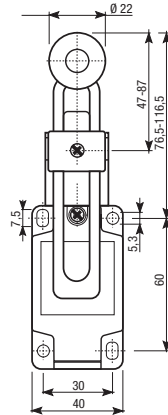
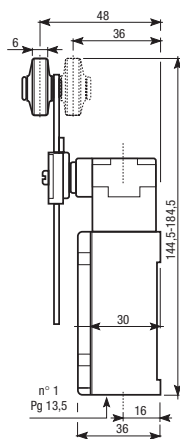
Ø50 mm rubber roller variable length lever

Contact block		
1NO+1NC snap action		<b>00</b>
1NO+1NC slow action		<b>01</b>
1NO+1NC slow overlap.		<b>02</b>
2NO slow action		<b>03</b>
2NC slow action		<b>04</b>
2NC snap action		<b>05</b>
<b>Weight</b>	<b>kg</b>	
<b>Pack</b>	<b>pcs</b>	
<b>Cable entry</b>		

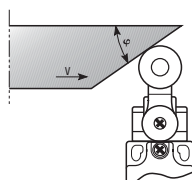
Thermoplastic	Metal	Contact travel
E40000FI	E40000FM	
E40001FI	E40001FM	
E40002FI	E40002FM	
E40003FI	E40003FM	
E40004FI	E40004FM	
E40005FI	E40005FM	
0,305	0,420	
1		
Pg 13,5		

Thermoplastic	Metal	Contact travel
E40000FI50	E40000FM50	
E40001FI50	E40001FM50	
E40002FI50	E40002FM50	
E40003FI50	E40003FM50	
E40004FI50	E40004FM50	
E40005FI50	E40005FM50	
0,315	0,430	
1		
Pg 13,5		

standard article article on request



Drive cam operating parameters



$\varphi$	V max (m/s)
30°	1,5
45°	1
60°	0,75
60-90°	0,25

Min. force (cNm)	
for tripping	25
for positive opening	45



FR•50

Ø50 mm rubber roller adjustable lever



G

Side rotary adjustable Ø6 mm glass fiber rod

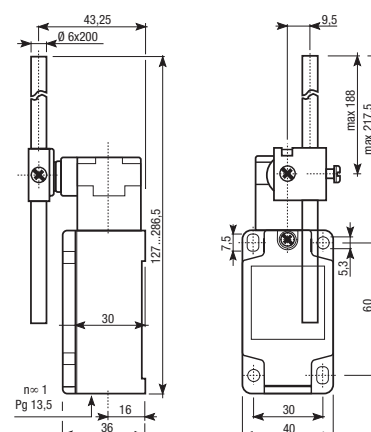
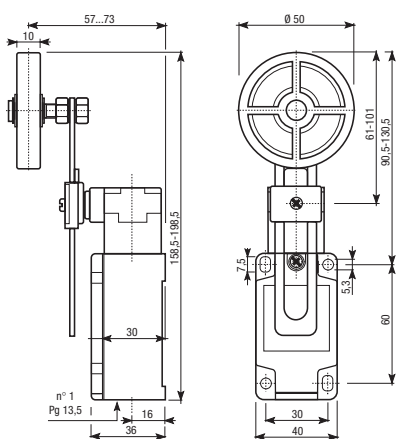
Contact block		
1NO+1NC snap action		<b>00</b>
1NO+1NC slow action		<b>01</b>
1NO+1NC slow overlap.		<b>02</b>
2NO slow action		<b>03</b>
2NC slow action		<b>04</b>
2NC snap action		<b>05</b>
<b>Weight</b>	<b>kg</b>	
<b>Pack</b>	<b>pcs</b>	
<b>Cable entry</b>		

Thermoplastic	Metal	Contact travel
E4000FRI50	E4000FRM50	
E40001FRI50	E40001FRM50	
E40002FRI50	E40002FRM50	
E40003FRI50	E40003FRM50	
E40004FRI50	E40004FRM50	
E40005FRI50	E40005FRM50	
0,325	0,440	
1		
Pg 13,5		

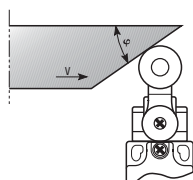
Thermoplastic	Metal	Contact travel
E4000GI *	E4000GM *	
E40001GI *	E40001GM *	
E40002GI	E40002GM	
E40003GI	E40003GM	
E40004GI	E40004GM	
E40005GI	E40005GM	
0,210	0,425	
1		
Pg 13,5		

standard article article on request

\* form conforming to EN 50041



Drive cam operating parameters



$\varphi$	V max (m/s)
30°	1,5
45°	1
60°	0,75
60-90°	0,25

Min. force (cNm)	
for tripping	25
for positive opening	45



H

Side rotary adjustable Ø6 mm aluminium rod



L

Flexible rod

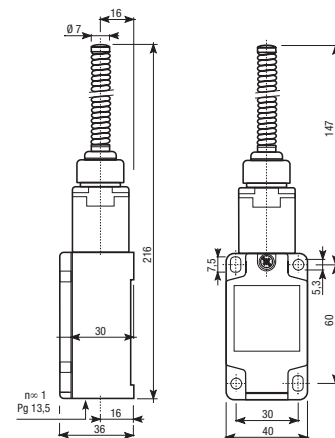
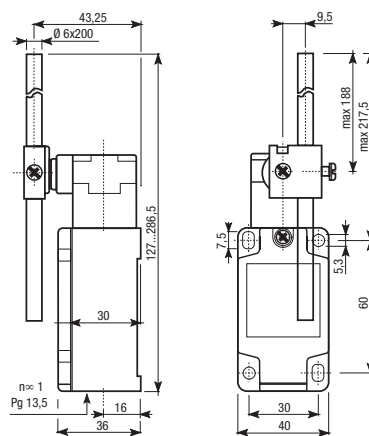
Contact block		
1NO+1NC snap action  13 21 14 22	00	Zb
1NO+1NC slow action  21 13 22 14	01	Zb
1NO+1NC slow overlap.  25 17 26 18	02	Zb
2NO slow action  13 23 14 24	03	X+X
2NC slow action  11 21 12 22	04	Y+Y
2NC snap action  11 21 12 22	05	Y+Y
Weight	kg	
Pack	pcs	
Cable entry		

Thermoplastic	Metal	Contact travel
E40000HI *	E40000HM *	
E40001HI *	E40001HM *	
E40002HI	E40002HM	
E40003HI	E40003HM	
E40004HI	E40004HM	
E40005HI	E40005HM	
0,210	0,425	
1		
Pg 13,5		

Thermoplastic	Metal	Contact travel
E40000LI	E40000LM	
E40001LI	E40001LM	
E40002LI	E40002LM	
E40003LI	E40003LM	
E40004LI	E40004LM	
E40005LI	E40005LM	
0,280	0,395	
1		
Pg 13,5		

standard article article on request

\* form conforming to EN 50041





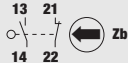
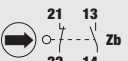
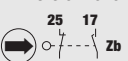
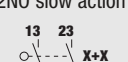
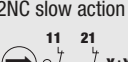
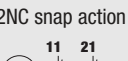
LP

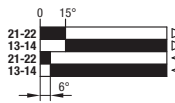
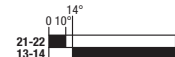
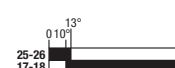

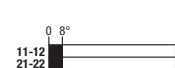
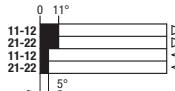
Flexible rod with plastic terminal

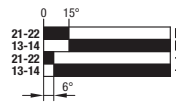
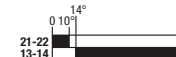
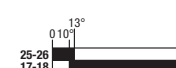

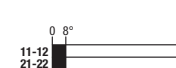
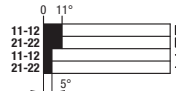


LS

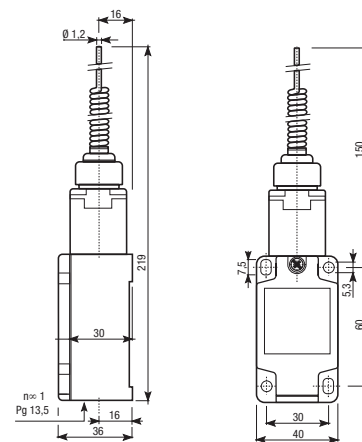
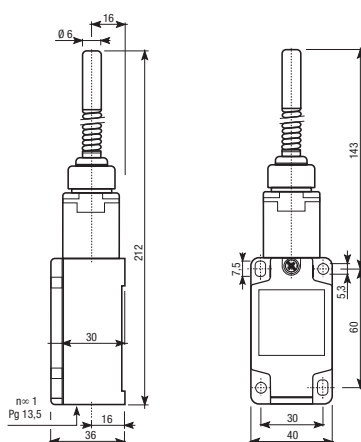
Cat's whisker

Contact block		
1NO+1NC snap action 	<b>00</b>	Zb
1NO+1NC slow action 	<b>01</b>	Zb
1NO+1NC slow overlap. 	<b>02</b>	Zb
2NO slow action 	<b>03</b>	X+X
2NC slow action 	<b>04</b>	Y+Y
2NC snap action 	<b>05</b>	Y+Y
<b>Weight</b>	<b>kg</b>	
<b>Pack</b>	<b>pcs</b>	
<b>Cable entry</b>		

Thermoplastic	Metal	Contact travel
E40000LPI	E40000LPM	
E40001LPI	E40001LPM	
E40002LPI	E40002LPM	
E40003LPI	E40003LPM	
E40004LPI	E40004LPM	
E40005LPI	E40005LPM	
0,280	0,395	
1		
Pg 13,5		

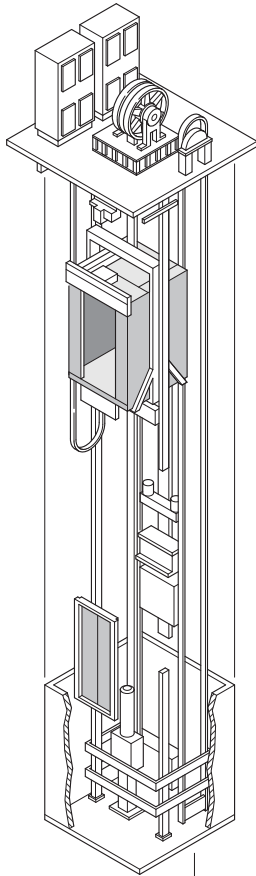
Thermoplastic	Metal	Contact travel
E40000LSI	E40000LSM	
E40001LSI	E40001LSM	
E40002LSI	E40002LSM	
E40003LSI	E40003LSM	
E40004LSI	E40004LSM	
E40005LSI	E40005LSM	
0,280	0,395	
1		
Pg 13,5		

 standard article  article on request



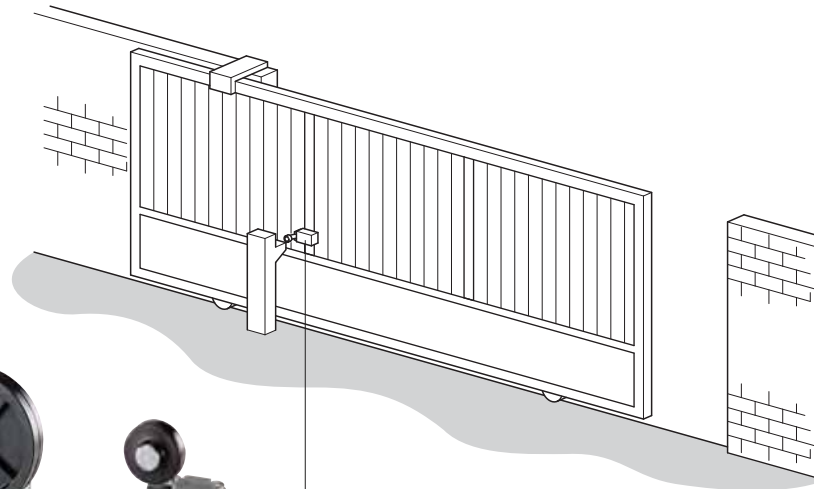
## Products for gates and lifts

For gates and lifts applications ERSCE provides a dedicated contact block, 2NC slow action with asymmetric working, to allow the detection of position and direction of the moving part. It is available for E100 and E200 series with metal actuators and thermoplastic or metal body.



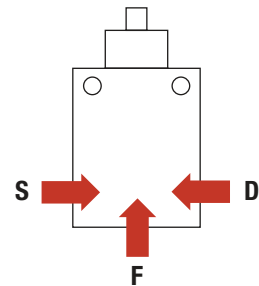
### In conformity with standards:

IEC EN 60947-5-1 • EN 60947-1 • UNI EN 1088 • EN ISO 12100-1  
EN ISO 12100-2 • IEC 529 • EN 60529 • VDE 0660-200 • VDE 0113



### Dedicated contact block

Dedicated contact block 07 for gates/lifts



### Cable entry

	F	S	D
E100	•		
E200		•	•

### Fixing

E100	20/22 mm
E200	20/22 and 40/42 mm

### Thread

Pg 13,5  
M20 (on request)  
1/2" NPT (on request)

### Series part no.

E100... E200...  
E101... E201...  
E102... E202...



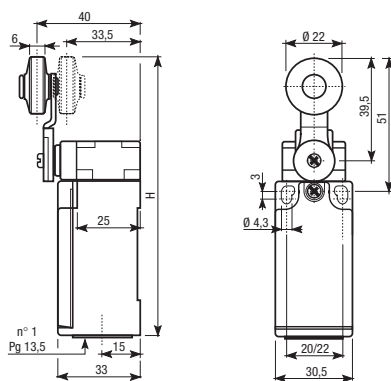
E•C

Thermoplastic roller lever

Contact block	
2NC slow action	<b>07</b>
Weight	kg
Pack	pcs
Cable entry	
H	mm

Thermoplastic	Metal	Contact travel
<b>E10007EIC</b>	<b>E10007EMC</b>	
0,135	0,225	
1		
Pg 13,5		
108,5	106	

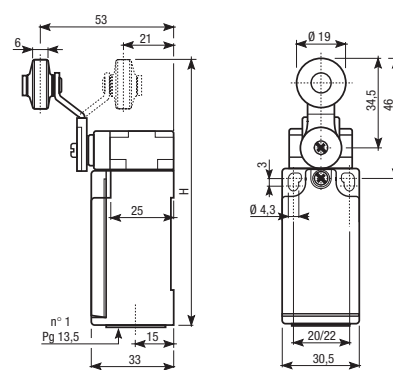
standard article  article on request



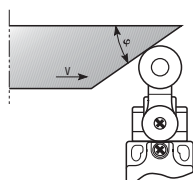
I•C

Thermoplastic roller lever

Thermoplastic	Metal	Contact travel
<b>E10007IIC</b>	<b>E10007IMC</b>	
0,130	0,225	
1		
Pg 13,5		
103,5	101	



Drive cam operating parameters



$\varphi$	V max (m/s)
30°	1,5
45°	1
60°	0,75
60-90°	0,25

Min. force (cNm)	
for tripping	15
for positive opening	35



**F•C**

**Thermoplastic roller variable length lever**

Contact block	
2NC slow action	<b>07</b>
Weight	kg
Pack	pcs
Cable entry	
H	mm

Thermoplastic	Metal	Contact travel
<b>E10007FIC</b>	<b>E10007FMC</b>	
0,150	0,240	
1		
Pg 13,5		
116÷156	113,5÷153,5	

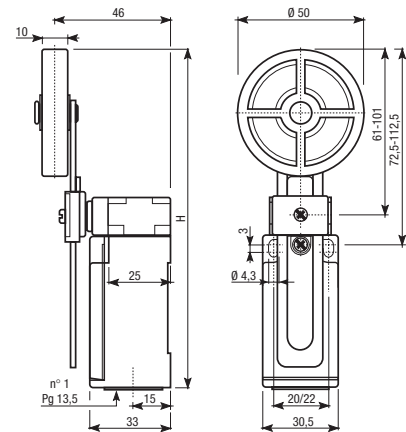
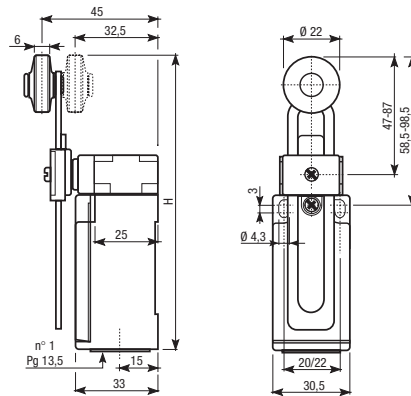


**F•50C**

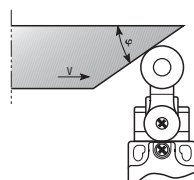
**Ø50 mm rubber roller variable length lever**

Thermoplastic	Metal	Contact travel
<b>E10007FI50C</b>	<b>E10007FM50C</b>	
0,160	0,250	
1		
Pg 13,5		
130÷170	127,5÷167,5	

standard article article on request



**Drive cam operating parameters**



$\varphi$	V max (m/s)
30°	1,5
45°	1
60°	0,75
60-90°	0,25

Min. force (cNm)	
for tripping	15
for positive opening	35



FR•50C

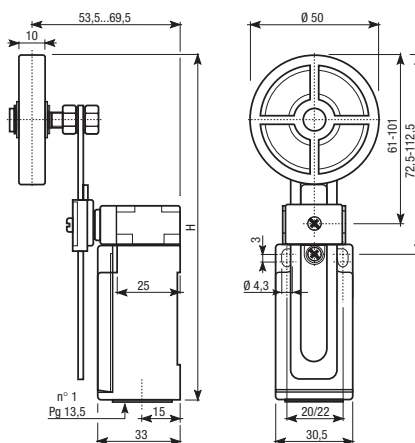


Ø50 mm rubber roller adjustable lever

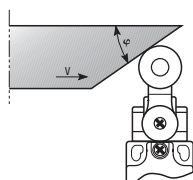
Contact block	
2NC slow action	<b>07</b>
Weight	kg
Pack	pcs
Cable entry	
H	mm

Thermoplastic	Metal	Contact travel
<b>E10007FRI50C</b>	<b>E10007FRM50C</b>	
0,170	0,250	
1		
Pg 13,5		
130÷170	127,5÷167,5	

standard article    article on request



Drive cam operating parameters



$\varphi$	V max (m/s)
30°	1,5
45°	1
60°	0,75
60-90°	0,25

Min. force (cNm)	
for tripping	15
for positive opening	35

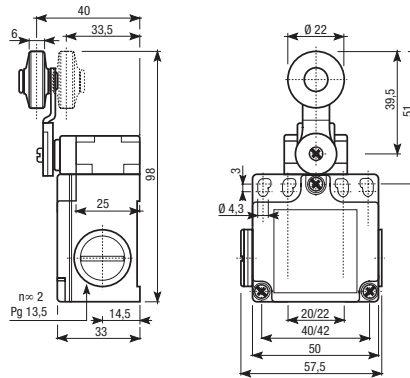


Thermoplastic roller lever

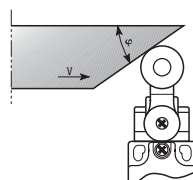
Contact block	
2NC slow action	<b>07</b>
Weight	kg
Pack	pcs
Cable entry	

Thermoplastic	Contact travel
<b>E20007EIC</b>	
0,160	
1	
Pg 13,5	

standard article    article on request



Drive cam operating parameters



$\varphi$	V max (m/s)
30°	1,5
45°	1
60°	0,75
60-90°	0,25

Min. force (cNm)	
for tripping	15
for positive opening	35

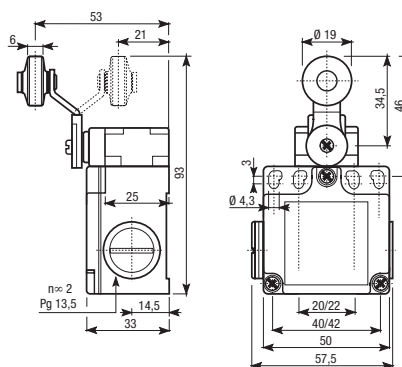


Thermoplastic roller lever

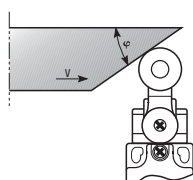
Contact block	
2NC slow action	<b>07</b>
Weight	kg
Pack	pcs
Cable entry	

Thermoplastic	Contact travel
<b>E20007IIC</b>	
0,160	
1	
Pg 13,5	

standard article    article on request



Drive cam operating parameters



$\varphi$	V max (m/s)
30°	1,5
45°	1
60°	0,75
60-90°	0,25

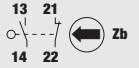
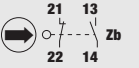
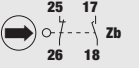
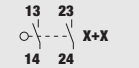
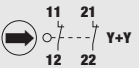
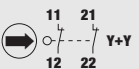
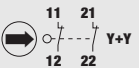
Min. force (cNm)	
for tripping	15
for positive opening	35



Available for series: E100  
E200  
E300  
E400

In conformity with standards:  
IEC/EN 60947-1  
IEC/EN 60947-5-1

Contact blocks

Contact block		Code	Description	Pack	Weight conf. (kg)
1NO+1NC snap action 	00	ELEM00	Snap action 1NO+1NC	5	0,495
1NO+1NC slow action 	01	ELEM01	Slow action 1NO+1NC	5	0,485
1NO+1NC slow overlap. 	02	ELEM02	Slow action overlap 1NO+1NC	5	0,485
2NO slow action 	03	ELEM03	Slow action 2NO	5	0,485
2NC slow action 	04	ELEM04	Slow action 2NC	5	0,485
2NC snap action 	05	ELEM05	Snap action 2NC	5	0,485
2NC slow action 	07	ELEM07	Slow action 2NC	5	0,485

standard article  article on request