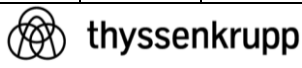


RCP-1.625 B

SPECIFICATIONS	
Shackle Size	1-1/2 Inch
Load Capacity	32000 lb
Dp - Nominal Shackle Bolt Diameter	1.625 in
A_E - Shackle Opening	2.38 in
A_E - Tolerance ±	0.13 in
B_C - Width of Shackle Ear/D (Nominal)	1.63 in
C - Clevis Bolt Head Diameter	2.000 in
H - Inside Length of Shackle (Nominal)	5.75 in
R - Outside Diameter of Shackle Ear (Nominal)	3.63 in
T - Thread Size	1-1/4-12 UNF
Bolt Type	Bolt Type Anchor Shackle

c:\kiodaten\personen\westermann\4000023013_1_rev_00.doc

						Datum	Name
						Bearb. 21.06.18	Brink
						Gep. 21.06.2018	Scho
						Abt.	Ges.
						Sichtv.	



Kraftsensorbolzen für Schäkel RCP-1.625 B	
Zeichnung-Ident Nr./Drawing-Ident-No.	F Blatt 1


XSTD-10000-001031563 000 00 27.06.2018

						4000023079		4	Sheet
Zust.	Änderung/Revision	Datum	Name	Gepr.	Urspr.: 4613075	Ers. f.:	Ers. d.:		Blätter Sheets 4

Uspung 11.01.2018

PERFORMANCE SPECS

Overload without Zero Shift	150%
Overload without Failure	300% (Minimum)
Bridge	Full bridge 350 Ohm (Nominal)
Excitation	12 V AC (Maximum) 12 V DC (Maximum)
Output Signal¹	2-mv/V (Nominal)
Non-Repeatability	±0.15% FS (Nominal)
Non-Linearity	±0.50% FS (Nominal)
Hysteresis	±0.50% FS (Nominal)
Service Temp Range	to 150 °F
Temp Effects (on Zero)	0.005% FS / °F (Nominal)
Temp Effects (on Output)	0.008% load / °F (Nominal)
Zero Balance²	±2% FS (Nominal)
Material	Stainless Steel 17-4, H-1025 (Standard)
Electrical Connection	6-Pin receptacle or built-in cable
Calibration	CAL5-LO

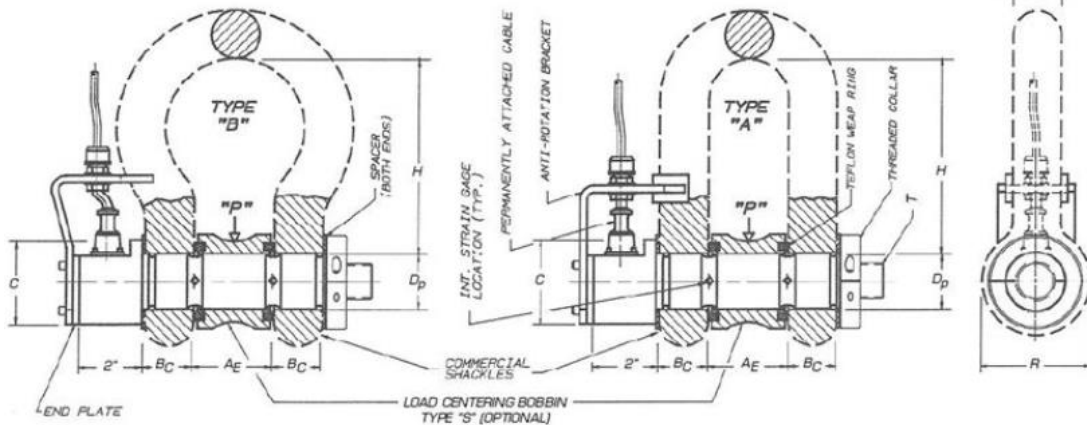
					 thyssenkrupp	Zeichnung-Ident Nr./Drawing-Ident-No.		F	Blatt Sheet	4	
						4000023079		4			
Zust.	Änderung/Revision	Datum	Name	Gepr.	Urspr.: 4613075	Ers. f.:		Ers. d.:		Blätter Sheets	4


Übersicht 11.02.2018

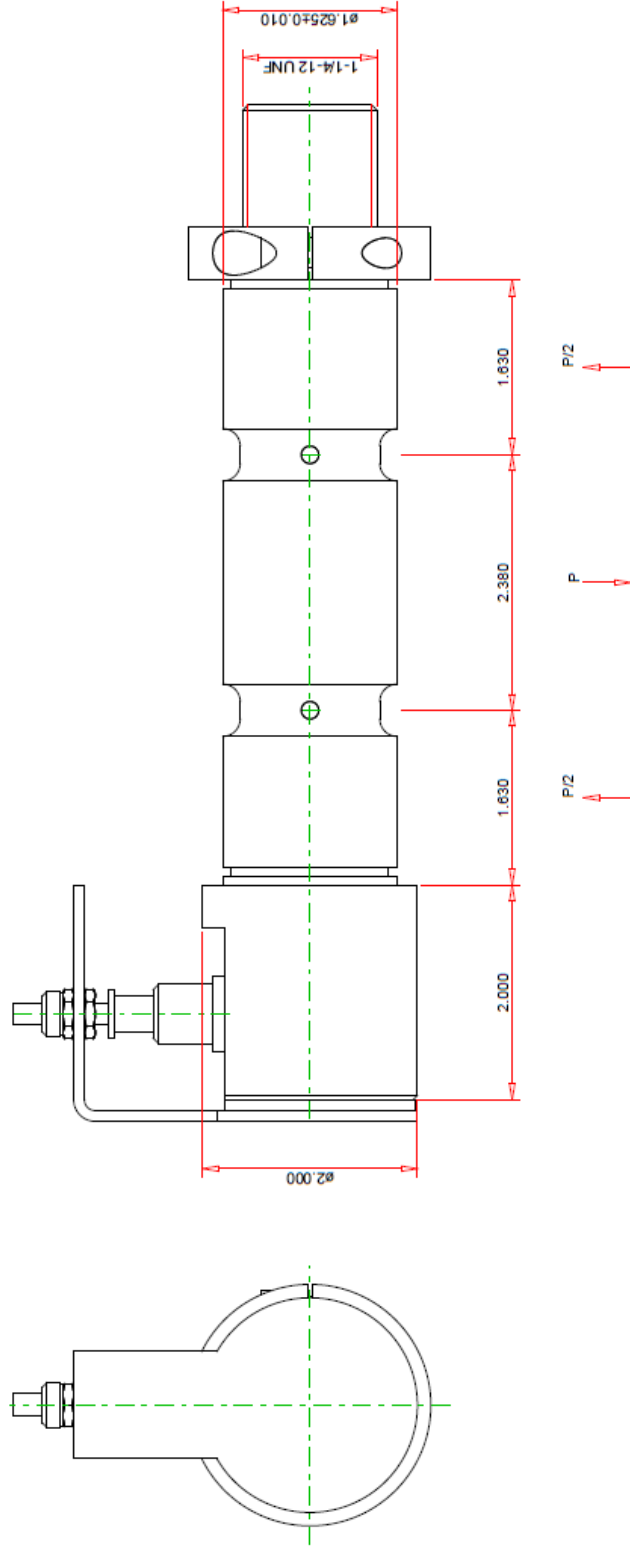
ELECTRICAL SPECIFICATIONS

Receptacle	PTIH-10-6P
Mating Plug	PT06A-10-6S (SR)
Function	Pin
(+) Excitation	A
(-) Excitation	D
(+) Signal	B
(-) Signal	C
Cable	#20(26x34) AWG., rubber insulation, shielded, rubber jacket, 4-Conductor (Standard Cable)
Function	Wire Code
(+) Excitation	Red
(-) Excitation	Black
(+) Signal	Green
(-) Signal	White

Larger Diameter Pins Available on Request.



					 thyssenkrupp	Zeichnung-Ident Nr./Drawing-Ident-No.		F	Blatt Sheet	3	
						4000023079		4			
Zust.	Änderung/Revision	Datum	Name	Gepr.	Urspr.: 4613075	Ers. f.:		Ers. d.:		Blätter Sheets	4



Bracket Dimensions Adjusted as Necessary


This print is the property of STRAINERT COMPANY and shall be returned upon request. Its contents shall be held confidential, shall neither be copied nor disclosed to others, and shall be used for the sole purpose of doing business with STRAINERT COMPANY.

Tolerances Not Specified:	
Dimensions:	
Fractions	$\pm 1/64$
Decimals	.X $\pm .1$.XX $\pm .02$
	.XXX $\pm .010$
Angles	$\pm 1^\circ$
Machined Surface:	
Surface Finish	63-MICRO-IN.

Part No.:	RCP-1.625 B
Description:	RCP/SCP Series, Standard Force Sensing Shackle Bolts

Address : 12 Union Hill Road
 West Conshohocken, PA 19428
 Tel. :610-826-3310
 Email : info@strainert.com
 Web : www.strainert.com



					 thyssenkrupp	Zeichnung-Ident Nr./Drawing-Ident-No.		F	Blatt Sheet	4	
						4000023079		4			
Zust.	Änderung/Revision	Datum	Name	Gepr.	Urspr.: 4613075	Ers. f.:		Ers. d.:		Blätter Sheets	4