

# euromotori<sup>®</sup>

## motori elettrici



**Motori asincroni trifase  
ghisa o alluminio**

**Asynchronous three-phase motors  
cast iron or aluminium**

**IE2 EFFICENCY**

**n. 1L 501/A-12**

**euromotori<sup>®</sup>** s.r.l.  
motori elettrici

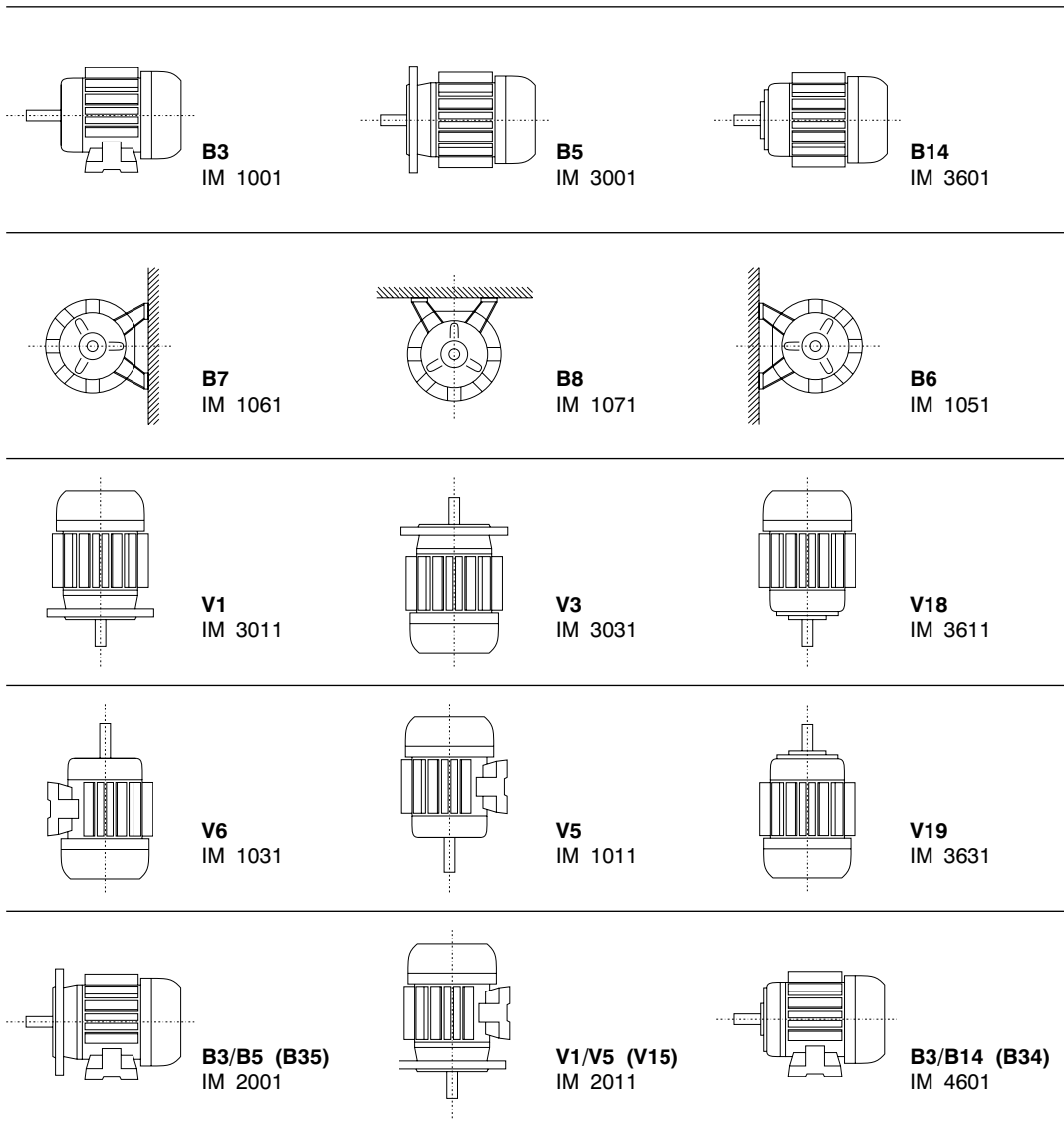
Via Cavour • 20846 MACHERIO (MB) - Italy  
Tel. +39 039.20.12.344 • Fax +39 039.20.12.612  
euromotori@euromotori.it • www.euromotori.it



*Euromotori è certificata "ISO 9001:2008" - Euromotori is certified "ISO 9001:2008"*



# FORME COSTRUTTIVE CONSTRUCTION SHAPES



## CARATTERISTICHE GENERALI

### PRESENTAZIONE

I nostri motori sono progettati e costruiti per sopportare le più difficili condizioni di servizio, offrendo il massimo della sicurezza e affidabilità d'impegno in tutti gli ambienti anche esterni.

### CARATTERISTICHE COSTRUTTIVE

- **Carcasse e Scudi**; Tipo 1L dalla grandezza 80 alla grandezza 355 in ghisa. Gli altri tipi dalla grandezza 56 alla grandezza 132 in alluminio.
- **Scatola morsettiera**; dal tipo 80 al tipo 355 sono in ghisa. Possibilità di rotazione di 90° in 90°.
- **Ventola** in polipropilene fino alla grandezza 280, in alluminio per grandezza 315 e 355.
- **Copriventola** in acciaio stampato per tutte le grandezze.

### SPECIFICHE STANDARD

Tutti i nostri motori sono costruiti con grado protezione meccanica IP55, chiusi con ventilazione esterna. Sono disponibili nelle forme costruttive B3 (IM 1001), B5 (3001), B3/B5 (IM 2001) e V1 (IM 3031). Le grandezze 315 e 355 possono essere montate solo nelle forme B3, B3/B5 e V1.

La potenza nominale indicata in targa si intende per servizio continuo S1.

Il voltaggio standard è V400 con frequenza Hz50. La tolleranza di tensione è  $\pm 10\%$ : voltaggi oltre questi valori danneggiano l'avvolgimento.

I motori possono operare con una temperatura ambiente massima di 40°C. e con altitudine massima di 1000 m.

La classe di isolamento è F con sovratemperatura dell'avvolgimento classe B.

Dalla grandezza 160 in su, gli avvolgimenti sono provvisti di termistori collegati nella scatola morsettiera con morsetti separati.

Il lamierino magnetico è al silicio isolato e a basse perdite. Il livello di vibrazione è molto basso; la maggior parte dei motori hanno vibrazioni inferiori a 1 mm/sec.

### CUSCINETTI

In tutti i nostri motori vengono montati cuscinetti SKF o NSK con pre-carico sul lato comando.

Fino alla grandezza 132 i cuscinetti sono ZZ; dalla grandezza 160 in poi sono aperti, con gioco radiale C3 e la lubrificazione avviene mediante ingrassatori.

### NORME DI RIFERIMENTO

I nostri motori sono costruiti rispettando le seguenti norme;

#### -IEC 60008

Determinazione del senso di rotazione in funzione del collegamento ai morsetti.

#### -IEC 60034-1

Informazioni che devono essere riportate sulla targa identificativa.

#### -IEC 60072-1

Dimensioni esterne e tolleranze costruttive.

#### -IEC 60034-5

Determinazione del grado di protezione meccanica (codice IP).

#### -IEC 60034-6

Metodo di raffreddamento dei motori elettrici (codici IC411)

#### -IEC 60034-7

Disposizioni standard per il montaggio dei motori elettrici (codice IM).

#### -IEC 60034-1

Definizione dei servizi o cicli di funzionamento della macchina. (codice S, da S1 a S9); definizione della grandezza costruttiva in funzione della potenza. Definizione delle condizioni di servizio idonee per un motore elettrico, come ad esempio altitudine, temperatura ambiente, voltaggi, frequenze.

#### -IEC 60034-2

Metodo per il calcolo del rendimento di un motore elettrico.

#### -IEC 60034-12

Caratteristiche generali di funzionamento (es, coppia di avviamento, corrente ecc.)

#### -IEC 60034-14

Determinazione limiti intensità delle vibrazioni.

#### -IEC 60034-9

Determinazione del livello di rumore per motori elettrici.

#### -IEC 60034-1

Prove ulteriori richieste per motori elettrici.

La Euromotori si riserva il diritto di apportare, in qualunque momento e senza preavviso, eventuali modifiche allo scopo di migliorare i propri prodotti.

## GENERAL CHARACTERISTICS

### INTRODUCTION

Our motors are designed and manufactured to meet the harshest service conditions, offering maximum safety in all environments including outdoors.

### CONSTRUCTION CHARACTERISTICS

#### - Frames and Endshields

Series 1L: in cast iron from 80 up to 355 frames. All other series: in aluminium from 56 up to 132 frames.

#### - Terminal box

From 80 frame up to 355 frame the housing material is cast iron.

They can be rotated by 90 degrees.

#### - Fans

They are made out of polypropylene up to 280 frame, in aluminium for 315 and 355 frames.

#### - Fan covers

Material for all frame sizes is pressed steel.

### STANDARD SPECIFICATIONS

All our motors are designed in IP 55 degree of protection, totally enclosed fan cooled and available with these mountings: B3 (IM 1001), B5 (IM 3001), B3/B5 (IM 2001) and V1 (IM 3031).

Frames 315 and 355 can only be mounted B3, B3/B5 and V, Standard motors are rated for continuous duty at full nameplate rating - S 1.

Standard voltage is 400V, frequency 50Hz. Voltage tolerance is  $\pm 10\%$ . Voltages applied beyond this tolerance may cause damage to the winding.

These motors can operate in high ambient temperatures of 40°C and altitudes up to 1000 metres.

Standard motors have class F insulation, class B temperature rise limit. From 160 frame upwards windings have thermistors fitted in the terminal box through separate terminals. Rotor and stator laminations are produced from low loss double insulated silicon electrical steel. Vibration level is very low; most motors have vibration levels of less than 1 mm/sec.

### BEARINGS

All motors have SKF or NSK bearings which are preloaded on drive end.

Up to 132 frame bearings are ZZ, from 160 frame upwards bearings have C3 clearances and lubrication is performed through grease relief.

### STANDARDS

Our motors are designed according to the following standards:

#### -IEC 60008

Specifies the direction of rotation in relation to terminal markings.

#### -IEC 60034-1

Specifies the information that should be included in the nameplate on the motor,

#### -IEC 60072-1

Specifies the standardised external dimensions and tolerances.

#### -IEC 60034-5

Specifies the Degrees of Protection for electrical equipment (IP code).

#### -IEC 60034-6

Assigns designations to the methods of cooling electric motors (IC411 code).

#### -IEC 60034-7

Assigns designations to standard mounting arrangements for electric motors (IM code).

#### -IEC 60034-1

Specifies machine duties or duty cycles (S code, S1 to S9). This standard also specifies preferred values of output ratings in kilowatts, and, preferred frame sizes for these kilowatt ratings. Service conditions which are suitable for an electric motor e.g. altitudes, ambient temperatures, voltages, frequency etc.

#### -IEC 60034-2

Specifies the method calculating the efficiency of a motor.

#### -IEC 60034-12

Specifies designations relating to starting performance for torque and current.

#### -IEC 60034-14

Specifies limits of vibration severity

#### -IEC 60034-9

Specifies noise level limits for electric motors.

#### -IEC 60034-1

Other test requirements for electric motors.

Euromotori reserves the right to make changes at any time without notice, with the intention to maintain their products to the highest standard.

**DATI ELETTRICI - MOTORI TRIFASE IE2 GHISA**  
**RATED DATA - THREE PHASE MOTORS IE2 CAST IRON**  
**POLI 2**

**2 Pole      3000 RPM Synchronous Speed      50Hz**

TIPO TYPE	POTENZA OUTPUT KW	GIRI/min. r.p.m.	CORRENTE A VUOTO NO LOAD CURRENT V 400 A	CORRENTE FULL LOAD CURRENT			Ia/In Ia/In	RENDIMENTO EFFICIENCY			FATTORE DI POTENZA POWER FACTOR			RATED TORQUE Nm	Ca/Cn Ma/Mn	Cm/Cn Mk/Mn	Mom. In. J (Kg·m <sup>2</sup> )	RUMOR. NOISE LEVEL 1 m dB (A)	MASSA MASS Kg.
				380V A	400V A	415V A		100% η %	75%	50%	100% cos γ	75%	50%						
1L801-2	0.75	2850	0.8	1.8	1.7	1.6	6.8	77.4	78.9	78.6	0.83	0.78	0.71	2.5	2.3	2.4	0.0008	58	18
1L802-2	1.1	2840	1.2	2.5	2.4	2.3	7.3	79.6	81.0	80.8	0.83	0.79	0.70	3.7	2.3	2.5	0.0009	56	20
1L90S-2	1.5	2875	1.4	3.3	3.2	3.1	7.6	81.3	81.8	80.6	0.84	0.80	0.71	5.0	2.4	2.6	0.0012	64	26
1L90L-2	2.2	2880	1.8	4.7	4.5	4.3	7.8	83.2	84.1	83.5	0.85	0.81	0.71	7.3	2.3	2.6	0.0014	68	30
1L100L-2	3	2880	2.1	6.2	5.9	5.7	8.0	84.6	84.9	84.1	0.87	0.83	0.73	9.9	2.4	2.4	0.0040	64	37
1L112M1-2	4	2900	2.3	8.0	7.6	7.4	8.1	85.8	86.7	85.9	0.88	0.84	0.74	13.2	2.3	2.4	0.0057	72	47
* 1L112M2-2	5.5	2890	3.1	10.2	10.1	9.7	7.0	87.2	86.9	86.1	0.90	0.89	0.83	18.2	2.8	3.1	0.0070	78	47
1L132S1-2	5.5	2855	3.5	10.9	10.4	10.0	7.8	87.0	87.7	87.6	0.88	0.84	0.75	18.2	2.2	2.4	0.0112	75	65
1L132S2-2	7.5	2890	4.5	14.5	13.8	13.3	7.9	88.1	88.9	88.7	0.89	0.85	0.80	24.8	2.3	2.3	0.0134	62	73
* 1L132M-2	11	2911	5.9	20.6	19.9	19.1	6.8	88.6	88.2	87.0	0.90	0.89	0.81	36.1	2.5	3.4	0.028	83	90
1L160M1-2	11	2930	5.9	21.0	20.0	19.2	7.9	89.4	89.7	87.9	0.89	0.87	0.81	35.9	2.2	2.3	0.0391	76	122
1L160M2-2	15	2935	7.8	28.4	26.9	26.0	8.0	90.3	90.6	90.1	0.89	0.87	0.81	48.8	2.3	2.4	0.0464	69	133
1L160L-2	18.5	2930	7.7	34.7	33.0	31.8	8.0	90.9	91.2	91.0	0.89	0.87	0.81	60.2	2.2	2.3	0.0567	75	163
1L180M-2	22	2950	12.2	41.1	39.1	37.7	8.1	91.3	91.7	91.4	0.89	0.88	0.82	71.2	2.2	2.4	0.083	74	190
1L200L1-2	30	2960	15.3	55.7	52.9	51.0	7.5	92.0	92.1	91.7	0.89	0.87	0.80	96.8	2.3	2.3	0.1277	83	252
1L200L2-2	37	2960	17.5	68.3	64.9	68.5	7.5	92.5	92.6	91.9	0.89	0.86	0.81	119.4	2.2	2.3	0.1432	84	275
1L225M-2	45	2965	21.4	82.7	78.6	75.7	7.6	92.9	92.8	91.6	0.89	0.87	0.80	144.8	2.2	2.3	0.2400	83	315
1L250M1-2	55	2965	31.3	100.7	95.7	92.2	7.6	93.2	93.8	93.3	0.89	0.86	0.82	177.0	2.2	2.3	0.3214	90	417
* 1L250M2-2	75	2962	35.1	132.5	127.0	122.8	6.7	94.4	94.1	92.6	0.90	0.88	0.83	241.9	2.4	3.3	0.412	90	539
1L280S-2	75	2970	34.2	136.5	129.7	125.0	6.9	93.8	93.9	93.5	0.89	0.88	0.79	240.9	2.0	2.3	0.5964	89	572
1L280M1-2	90	2970	35.8	163.3	155.1	149.5	7.0	94.1	94.2	93.6	0.89	0.87	0.81	289.2	2.1	2.3	0.6953	87	605
* 1L280M2-2	110	2968	36.5	191.6	183.8	175.8	6.2	94.4	94.0	93.0	0.91	0.92	0.90	354.1	2.7	3.1	0.86	85	648
1L315S-2	110	2980	45.5	196.9	187.1	180.3	7.1	94.3	94.5	93.9	0.90	0.89	0.81	352.7	2.0	2.2	1.2154	87	965
1L315M-2	132	2980	56.1	235.6	223.8	215.7	7.1	94.6	95.0	94.1	0.90	0.88	0.81	423.3	2.0	2.3	1.5965	86	1067
1L315L1-2	160	2975	60.6	281.8	267.7	258.0	7.1	94.8	94.9	94.2	0.91	0.88	0.82	513.8	2.1	2.3	1.8128	87	1151
1L315L2-2	200	2980	66.3	351.5	333.9	321.9	7.2	95.0	95.2	94.6	0.91	0.89	0.80	641.2	2.1	2.2	2.0806	88	1253
1L355M-2	250	2980	105.6	432.3	412.9	398.0	6.1	95.0	95.1	94.3	0.92	0.90	0.84	801.1	1.5	2.4	3.4977	103	1600
1L355L-2	315	2980	127.8	544.7	520.2	501.4	6.0	95.0	95.1	94.4	0.92	0.90	0.84	1009.1	1.5	2.3	4.4362	103	1850

\* IE1 - A richiesta: Potenze non unificate IEC.

\* IE1 - On request: Not standardized output IEC power rating.

**DATI ELETTRICI - MOTORI TRIFASE IE2 GHISA**  
**RATED DATA - THREE PHASE MOTORS IE2 CAST IRON**  
**POLI 4**

**4 Pole 1500 RPM Synchronous Speed 50Hz**

TIPO TYPE	POTENZA OUTPUT KW	GIRI/min. r.p.m.	CORRENTE A VUOTO NO LOAD CURRENT V 400 A	CORRENTE FULL LOAD CURRENT			Ia/In Ia/In	RENDIMENTO EFFICIENCY			FATTORE DI POTENZA POWER FACTOR			RATED TORQUE Nm	Ca/Cn Ma/Mn	Cm/Cn Mk/Mn	Mom. In. Mom. of In. J (Kg <sup>m</sup> ) dB (A)	RUMOR NOISE LEVEL 1 m	MASSA MASS Kg.
				380V A	400V A	415V A		100%	75%	50%	100%	cos γ 75%	50%						
* 1L80M1-4	0.55	1405	1.0	1.5	1.5	1.4	4.6	72.7	72.2	70.2	0.75	0.67	0.55	3.7	2.5	2.8	0.002	54	15
1L80M2-4	0.75	1420	1.3	1.9	1.8	1.7	6.5	79.6	80.1	80.2	0.75	0.66	0.54	5.1	2.3	2.4	0.0026	50	20
1L90S-4	1.1	1420	1.7	2.7	2.6	2.5	6.6	81.4	81.8	80.4	0.75	0.67	0.60	7.4	2.3	2.4	0.0026	57	26
1L90L-4	1.5	1425	1.9	3.7	3.5	3.4	6.9	82.2	83.3	82.0	0.75	0.68	0.60	10.1	2.4	2.5	0.0031	59	29
1L100L1-4	2.2	1445	2.5	4.9	4.7	4.5	7.5	84.3	84.6	83.4	0.81	0.67	0.61	14.5	2.3	2.4	0.0073	58	37
1L100L2-4	3	1440	3.1	6.5	6.2	6.0	7.6	85.5	85.8	84.7	0.82	0.69	0.61	19.9	2.3	2.4	0.0073	58	40
1L112M-4	4	1440	4.1	8.6	8.1	7.8	7.7	86.6	87.3	86.9	0.82	0.71	0.63	26.5	2.3	2.5	0.0099	60	52
1L132S-4	5.5	1455	5.0	11.6	11.0	10.6	7.5	87.9	88.3	87.7	0.82	0.71	0.62	36.1	2.1	2.4	0.0223	72	70
1L132M1-4	7.5	1460	5.9	15.5	14.7	14.2	7.4	89.0	89.3	88.7	0.83	0.73	0.63	49.1	2.2	2.4	0.0308	62	84
* 1L132M2-4	11	1451	7.7	21.2	20.8	20.5	6.1	88.9	88.4	87.0	0.86	0.81	0.73	72.4	2.3	2.9	0.075	70	87
1L160M-4	11	1465	7.9	21.9	20.8	20.0	7.5	89.8	90.0	89.4	0.85	0.72	0.62	71.6	2.3	2.4	0.0780	69	134
1L160L-4	15	1470	11.5	29.9	27.8	26.8	7.5	90.6	90.8	90.1	0.86	0.73	0.66	97.4	2.2	2.4	0.0957	67	169
1L180M-4	18.5	1470	12.2	35.8	34.0	32.8	7.7	91.2	91.8	91.0	0.86	0.76	0.71	120.0	2.3	2.5	0.1446	75	196
1L180L-4	22	1470	14.8	42.4	40.3	38.9	7.8	91.6	92.0	91.6	0.86	0.78	0.72	142.7	2.2	2.4	0.1643	70	242
1L200L-4	30	1470	17	57.4	54.6	52.6	7.2	92.3	92.4	91.8	0.86	0.79	0.73	194.5	2.2	2.4	0.2725	76	275
1L225S-4	37	1480	24	70.5	67.0	64.6	7.3	92.7	92.9	92.5	0.86	0.79	0.75	238.6	2.2	2.4	0.4222	77	328
1L225M-4	45	1480	24.5	85.4	81.1	78.2	7.4	93.1	93.4	93.0	0.86	0.81	0.73	290.1	2.2	2.3	0.4878	76	355
1L250M1-4	55	1480	31.7	103.9	98.7	95.2	7.4	93.5	93.7	93.6	0.86	0.81	0.74	354.5	2.2	2.3	0.6864	81	451
* 1L250M2-4	75	1479	45.9	134.1	129.5	125.1	6.2	94.1	93.9	91.9	0.89	0.88	0.83	484.5	2.2	3.2	0.88	80	574
1L280S-4	75	1485	35.6	137.2	130.9	126.1	6.7	94.0	94.1	93.7	0.88	0.84	0.79	481.8	2.3	2.4	1.1648	81	591
1L280M1-4	90	1485	43.5	165.0	156.7	151.0	6.9	94.2	94.3	93.9	0.88	0.84	0.80	578.3	2.3	2.3	1.5184	77	692
* 1L280M2-4	110	1478	51.2	196.1	187.0	178.0	6.2	94.8	94.3	92.2	0.90	0.88	0.83	711.1	2.5	2.9	2.68	82	766
1L315S-4	110	1485	49.9	201.0	190.9	184.0	6.9	94.5	94.7	94.2	0.88	0.85	0.83	706.3	2.2	2.3	3.2344	84	1012
1L315M-4	132	1485	64.5	240.7	228.6	220.4	6.9	94.7	94.6	94.3	0.88	0.86	0.82	848.0	2.2	2.3	3.4216	82	1147
1L315L1-4	160	1485	79.8	287.3	273.4	263.6	6.9	94.9	95.0	94.6	0.89	0.87	0.84	1027.5	2.2	2.3	3.9416	84	1224
1L315L2-4	200	1485	101	359.0	341.1	328.7	6.9	95.1	94.9	94.6	0.89	0.87	0.83	1285.1	2.2	2.3	4.6696	85	1331
1L355M-4	250	1490	102	443.8	421.6	406.4	6.7	95.1	95.1	94.6	0.90	0.88	0.84	1603.9	2.1	2.5	8.4044	101	1650
1L355L-4	315	1490	99.8	559.2	531.2	512.0	7.1	95.1	95.0	94.8	0.90	0.89	0.84	2020.3	2.1	2.5	9.9325	101	2040

\* IE1 - A richiesta: Potenze non unificate IEC.

\* IE1 - On request: Not standardized output IEC power rating.

**DATI ELETTRICI - MOTORI TRIFASE IE2 GHISA**  
**RATED DATA - THREE PHASE MOTORS IE2 CAST IRON**  
**POLI 6**

**6 Pole      1000 RPM Synchronous Speed      50Hz**

TIPO TYPE	POTENZA OUTPUT KW	GIRI/min. r.p.m.	CORRENTE A VUOTO NO LOAD CURRENT V 400 A	CORRENTE FULL LOAD CURRENT			Ia/In Ia/In	RENDIMENTO EFFICIENCY η %			FATTORE DI POTENZA POWER FACTOR cos γ			RATED TORQUE Nm	Ca/Cn Ma/Mn	Cm/Cn Mk/Mn	Mom. In. Mom. of In. J	RUMOR NOISE LEVEL	MASSA MASS
				380V	400V	415V		100%	75%	50%	100%	75%	50%						
* 1L80M1-6	0.37	916	0.9	1.3	1.2	1.1	3.3	63.5	63.4	56.2	0.70	0.63	0.50	3.9	1.9	2	0.002	46	17
* 1L80M2-6	0.55	915	1.1	1.6	1.6	1.5	3.2	69.3	69.0	67.3	0.72	0.62	0.53	5.7	2.1	2.4	0.003	50	20
1L90S-6	0.75	945	1.5	2.1	2.0	1.9	5.8	75.9	75.0	71.1	0.72	0.64	0.52	7.6	2.1	2.3	0.0032	53	24
1L90L-6	1.1	945	1.9	2.9	2.8	2.7	5.9	78.1	78.3	76.2	0.73	0.65	0.54	11.1	2.1	2.3	0.0042	68	28
1L100L-6	1.5	955	2.4	3.9	3.7	3.5	6.0	79.8	80.0	78.3	0.74	0.64	0.54	15.0	2.1	2.3	0.0074	58	34
1L112M-6	2.2	955	2.8	5.5	5.2	5.1	6.0	81.8	82.2	80.8	0.74	0.67	0.55	22.0	2.2	2.3	0.0147	61	45
1L132S-6	3	965	4.2	7.4	7.0	6.8	6.2	83.3	83.9	82.5	0.74	0.67	0.55	29.7	2.1	2.3	0.0305	62	60
1L132M1-6	4	965	5.1	9.7	9.2	8.9	6.5	84.6	85.1	84.2	0.74	0.69	0.58	39.5	2.0	2.2	0.0378	64	69
1L132M2-6	5.5	965	7.2	13.0	12.3	11.9	7.1	86.0	86.5	85.7	0.75	0.70	0.57	54.3	2.0	2.3	0.0473	61	82
1L160M-6	7.5	970	7.0	16.8	15.9	15.3	6.7	87.2	87.8	87.1	0.78	0.69	0.56	73.9	2.2	2.4	0.0924	68	114
1L160L-6	11	970	9.8	23.9	22.7	21.8	6.9	88.7	89.2	88.5	0.79	0.71	0.57	105.1	2.1	2.3	0.1218	70	154
1L180L-6	15	980	13.4	31.4	29.8	28.7	7.2	89.7	90.2	90.1	0.81	0.72	0.57	146.3	2.0	2.2	0.2174	73	197
1L200L1-6	18.5	980	14.5	38.4	36.5	35.1	7.2	90.4	90.6	90.0	0.81	0.74	0.62	180.1	2.2	2.3	0.3308	73	231
1L200L2-6	22	980	15.2	44.8	42.6	41.1	7.3	90.9	91.2	90.7	0.82	0.73	0.63	214.1	2.2	2.4	0.3780	71	240
1L225M-6	30	985	20.2	61.4	58.3	56.2	7.1	91.7	92.2	91.9	0.81	0.74	0.65	291.4	2.1	2.3	0.5744	73	302
1L250M-6	37	985	22.3	78.6	69.0	66.5	7.1	92.2	92.6	92.4	0.84	0.75	0.67	388.6	2.2	2.2	0.8757	75	387
1L280S-6	45	990	25.3	85.5	81.5	78.5	7.2	92.7	92.9	92.5	0.86	0.76	0.69	434.6	2.1	2.2	1.4700	79	502
1L1280M1-6	55	990	28.8	104.4	99.2	95.6	7.2	93.1	93.3	92.9	0.86	0.75	0.68	531.2	2.1	2.1	1.7325	76	548
* 1L280M2-6	75	988	47.3	132.7	128.4	123.0	6.5	94.0	93.6	92.2	0.90	0.86	0.80	725.3	2.6	2.8	3.21	73	709
1L315S-6	75	990	44.1	143.1	135.9	131.0	6.7	93.7	93.6	92.8	0.85	0.80	0.73	722.8	2.0	2.1	4.3155	76	976
1L315M-6	90	990	49.2	173.2	165.4	158.6	6.7	94.0	93.9	93.3	0.84	0.81	0.74	867.3	2.0	2.1	4.4940	76	1007
1L315L1-6	110	990	54.2	208.5	198.1	190.9	6.7	94.3	94.4	93.7	0.85	0.88	0.78	1061.2	2.0	2.1	5.7225	78	1097
1L315L2-6	132	990	68.8	246.5	234.2	225.7	6.7	94.6	94.6	94.1	0.86	0.84	0.79	1271.6	2.0	2.2	6.4260	78	1168
1L355M1-6	160	990	91.9	294.1	279.4	269.3	6.5	95.0	94.9	94.4	0.87	0.84	0.80	1543.5	2.0	2.6	9.2925	81	1554
1L355M2-6	200	990	90.8	367.7	349.3	336.7	6.3	95.0	95.1	94.7	0.87	0.84	0.80	1929.9	1.9	2.5	11.9439	92	1814
1L355L-6	250	990	101	459.6	436.6	420.8	6.3	95.0	95.2	95.0	0.87	0.85	0.80	2415.3	1.7	2.2	13.3771	92	1980

\* IE1 - A richiesta: Potenze non unificate IEC.

\* IE1 - On request: Not standardized output IEC power rating.

**DATI ELETTRICI - MOTORI TRIFASE GHISA**  
**RATED DATA - THREE PHASE MOTORS CAST IRON**  
**POLI 8**

**8 Pole 750 RPM Synchronous Speed 50Hz**

TIPO TYPE	POTENZA OUTPUT KW	GIRI/min. r.p.m.	CORRENTE A VUOTO NO LOAD CURRENT V 400 A	CORRENTE FULL LOAD CURRENT			Ia/In Ia/In	RENDIMENTO EFFICIENCY			FATTORE DI POTENZA POWER FACTOR			Cn Mn Nm	Ca/Cn Ma/Mn	Cm/Cn Mk/Mn	Mom. In. J (Kg·m²) dB (A)	RUMOR NOISE LEVEL 1 m	MASSA MASS Kg.
				380V A	400V A	415V A		100%	75%	50%	100%	75%	50%						
1L80M1-8	0.18	689	0.6	0.8	0.7	0.7	2.9	58.8	54.1	46.5	0.62	0.57	0.48	2.5	2.0	2.2	0.002	50	17
1L80M2-8	0.25	699	0.9	1.0	1.0	0.9	3.0	60.8	55.8	45.9	0.61	0.55	0.47	3.4	2.1	2.4	0.003	50	19
1L90S-8	0.37	702	1.2	1.4	1.4	1.3	3.4	65.1	64.2	57.5	0.61	0.54	0.45	5.0	2.0	2.4	0.004	53	23
1L90L-8	0.55	703	1.5	2.0	1.9	1.9	3.5	68.1	67.3	60.6	0.61	0.53	0.43	7.4	2.1	2.6	0.004	53	25
1L100L1-8	0.75	704	1.8	2.3	2.2	2.1	3.5	70.5	70.0	63.6	0.69	0.55	0.46	10.2	2.0	2.2	0.008	56	33
1L100L2-8	1.1	705	2.4	3.2	3.2	3.1	3.6	73.0	72.5	70.1	0.68	0.58	0.45	15.1	2.2	2.6	0.01	58	38
1L112M1-8	1.5	700	2.8	4.3	4.1	3.8	3.9	77.1	76.6	74.6	0.69	0.61	0.48	20.5	2.4	2.7	0.017	60	50
* 1L112M2-8	2.2	705	3.3	6.0	5.8	5.5	4.2	77.4	76.9	75.2	0.71	0.61	0.49	30	2.2	2.5	0.017	60	60
1L132S-8	2.2	710	3.9	5.8	5.6	5.3	4.3	80.0	79.4	79.3	0.71	0.64	0.53	29.6	2.3	2.5	0.031	63	66
1L132M1-8	3	710	4.0	7.6	7.2	6.8	4.4	80.8	80.5	78.8	0.75	0.66	0.54	40.4	2.2	2.4	0.04	64	72
1L132M2-8	4	711	5.5	9.6	9.3	8.9	4.5	81.4	81.1	79.8	0.76	0.68	0.56	53.8	2.1	2.6	0.04	65	78
1L160M1-8	4	716	5.6	9.8	9.5	9.1	4.4	81.9	81.4	80.0	0.74	0.67	0.58	53.4	2.2	2.2	0.075	65	123
1L160M2-8	5.5	721	7.8	13.4	12.5	12.0	5.0	86.2	85.8	84.6	0.74	0.66	0.55	72.9	2.2	2.8	0.093	66	134
1L160L-8	7.5	721	9.6	17.2	16.6	15.7	5.7	87.0	86.7	84.8	0.75	0.68	0.55	99.4	2.1	2.9	0.126	67	157
1L180L-8	11	719	12.0	24.9	23.8	23.2	5.6	87.5	87.1	85.2	0.77	0.71	0.6	146.2	2.3	2.8	0.203	68	195
1L200L-8	15	731	15.9	33.1	31.3	30.3	5.5	89.5	89.2	87.5	0.77	0.73	0.63	196.1	2.1	2.7	0.339	70	276
1L225S-8	18.5	731	20.3	41.5	39.6	38.4	5.6	90.2	89.8	87.8	0.75	0.71	0.64	241.8	2.2	2.8	0.491	72	326
1L225M-8	22	732	20.5	46.9	44.9	43.2	5.4	90.7	90.3	88.2	0.78	0.75	0.66	287.2	2.1	2.9	0.547	72	364
1L250M-8	30	736	27.4	61.3	59.4	58.0	5.3	90.6	90.3	88.3	0.80	0.77	0.69	389.5	2.2	2.6	0.83	74	460
1L280S-8	37	738	29.6	74.9	71.2	68.5	5.6	91.7	91.2	88.7	0.82	0.78	0.69	479.0	2.3	2.9	1.39	75	549
1L280M1-8	45	739	36.2	90.8	87.3	84.4	5.2	91.8	91.3	89.2	0.81	0.76	0.67	581.8	2.1	3.1	1.65	76	597
* 1L280M2-8	55	740	44.4	113.7	106.1	102.8	5.6	92.9	92.4	91.5	0.81	0.79	0.71	710.2	2.2	2.6	3.65	78	690
1L315S-8	55	739	41.5	107.6	102.9	98.5	5.7	93.6	93.4	91.8	0.82	0.78	0.71	711.1	1.9	2.8	4.79	78	1054
1L315M-8	75	741	51.3	147.7	139.6	133.3	5.9	93.9	93.6	92.1	0.83	0.80	0.72	967.1	2.1	2.5	5.58	81	1216
1L315L1-8	90	740	65.8	176.1	166.6	160.1	6.2	94.1	93.7	92.2	0.83	0.77	0.71	1162.1	2.3	2.7	6.37	80	1274
1L315L2-8	110	741	73.8	214.9	204.8	195.3	6.0	94.2	93.8	92.4	0.82	0.80	0.71	1418.4	2.3	2.6	7.23	80	1363
1L355M1-8	132	741	85.8	250.4	237.7	230.2	5.9	95.3	95.2	92.6	0.84	0.81	0.73	1702.1	1.9	2.6	7.55	82	1598
1L355M2-8	160	744	104.3	307.8	291.2	279.3	5.8	95.3	95.1	92.8	0.83	0.80	0.74	2054.8	1.7	2.4	11.73	88	1698
1L355L-8	200	745	112.1	370.5	354.3	340.4	5.7	95.7	95.5	93.2	0.85	0.84	0.78	2565.1	1.8	2.9	12.86	87	1798

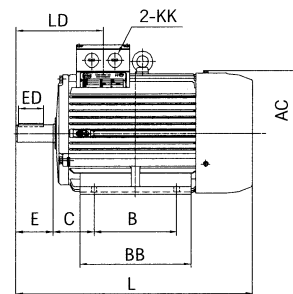
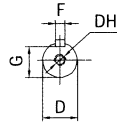
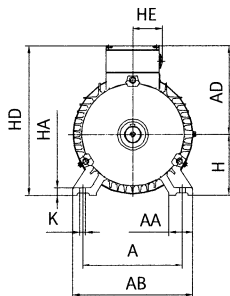
\* A richiesta: Potenze non unificate IEC.

\* On request: Not standardized output IEC power rating.

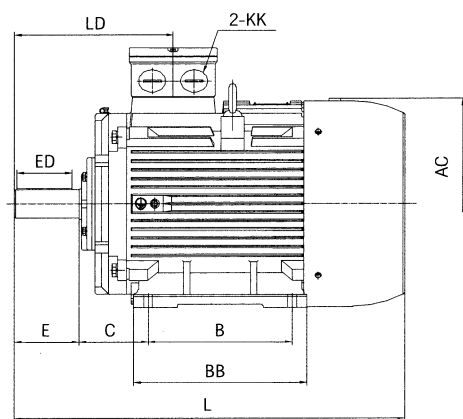
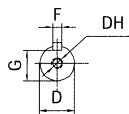
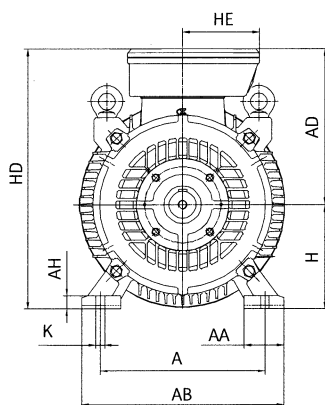
# FORMA COSTRUTTIVA B3 GHISA

## DIMENSIONS FOOTMOUNT B3 CAST IRON

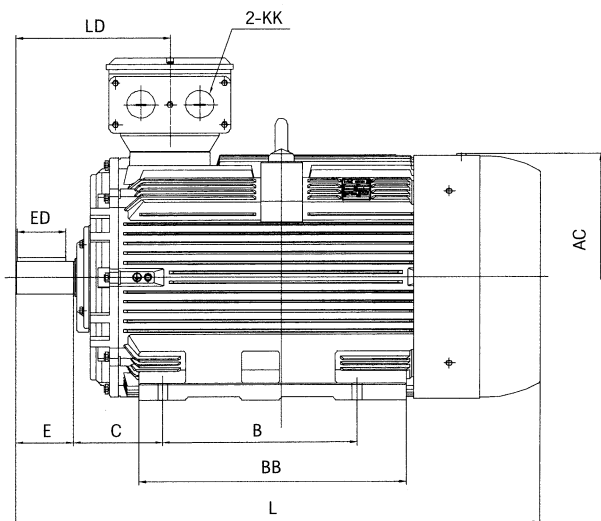
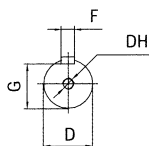
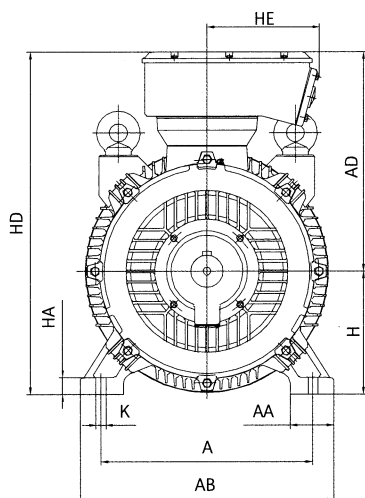
**1L80 ÷ 132**



**1L160 ÷ 280**



**1L315 ÷ 355**



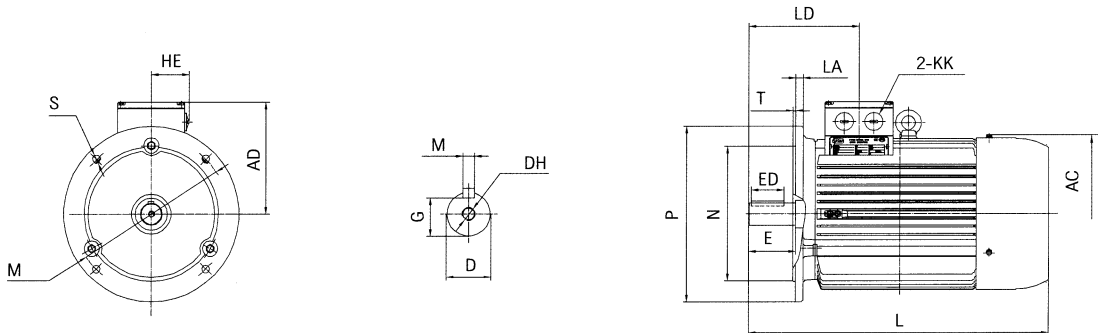


**FORMA COSTRUTTIVA B3 GHISA**  
**DIMENSIONS FOOTMOUNT B3 CAST IRON**

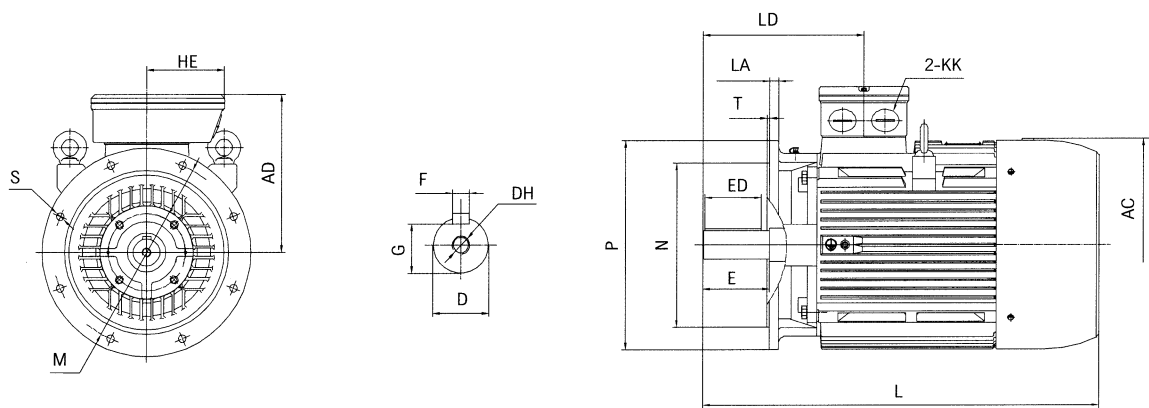
Tipo/Frame	A	AA	AB	AC	AD	B	BB	C	D	DH	E	ED	F	G	H	HA	HD	HE	K	KK	L	LD
1L80	125	34	160	175	145	100	130	50	19	M6x16	40	25	6	15.5	80	10	225	50	10	M25x1.5	305	116
1L90S	140	36	180	190	170	100	160	56	24	M8x19	50	40	8	20	90	12.5	260	50	10	M25x1.5	360	131
1L90L	140	36	180	190	170	125	160	56	24	M8x19	50	40	8	20	90	12.5	260	50	10	M25x1.5	390	131
1L100	160	40	200	215	180	140	182	63	28	M10x22	60	45	8	24	100	14	280	70	12	M32x1.5	435	157
1L112	190	45	230	236	188	140	195	70	28	M10x22	60	45	8	24	112	14	300	70	12	M32x1.5	480	163
1L132S	216	52	265	275	213	140	245	89	38	M12x28	80	63	10	33	132	16	345	70	12	M32x1.5	515	188
1L132M	216	52	265	275	213	178	245	89	38	M12x28	80	63	10	33	132	16	345	70	12	M32x1.5	550	188
1L160M	254	67	320	330	250	210	260	108	42	M16x36	110	90	12	37	160	19	410	105	14.5	M40x1.5	622	268
1L160L	254	67	320	330	250	254	305	108	42	M16x36	110	90	12	37	160	19	410	105	14.5	M40x1.5	667	268
1L180M	279	74	350	380	275	241	297	121	48	M16x36	110	90	14	42.5	180	22	455	105	14.5	M40x1.5	685	273
1L180L	279	74	350	380	275	279	335	121	48	M16x36	110	90	14	42.5	180	22	455	105	14.5	M40x1.5	720	273
1L200	318	85	395	420	324	305	370	133	55	M20x42	110	90	16	49	200	25	524	166	18.5	M50x1.5	790	291
1L225S (4-8P)	356	80	436	465	335	286	355	149	60	M20x42	140	110	18	53	225	28	560	166	18.5	M50x1.5	841	340
1L225M (2P)	356	80	436	465	335	311	380	149	55	M20x42	110	90	16	49	225	28	560	166	18.5	M50x1.5	865	310
1L225M (4-8P)	356	80	436	465	335	311	380	149	60	M20x42	140	110	18	53	225	28	560	166	18.5	M50x1.5	870	340
1L250M (2P)	406	88	495	520	375	349	440	168	60	M20x42	140	110	18	53	250	33	625	161	24	M63x1.5	950	353
1L250M (4-8P)	406	88	495	520	375	349	440	168	65	M20x42	140	110	18	58	250	33	625	161	24	M63x1.5	955	353
1L280S (2P)	457	109	550	570	405	368	485	190	65	M20x42	140	110	18	58	280	35	685	161	24	M63x1.5	1020	365
1L280S (4-8P)	457	109	550	570	405	368	485	190	75	M20x42	140	110	20	67.5	280	35	685	161	24	M63x1.5	1020	365
1L280M (2P)	457	109	550	570	405	419	535	190	65	M20x42	140	110	18	58	280	35	685	161	24	M63x1.5	1020	365
1L280M (4-8P)	457	109	550	570	405	419	535	190	75	M20x42	140	110	20	67.5	280	35	685	161	24	M63x1.5	1020	365
1L315S (2P)	508	120	635	650	555	406	565	216	65	M20x42	140	110	18	58	315	45	870	308	28	M63x1.5	1180	376
1L315M (2P)	508	120	635	650	555	457	675	216	65	M20x42	140	110	18	58	315	45	870	308	28	M63x1.5	1290	376
1L315L (2P)	508	120	635	650	555	508	675	216	65	M20x42	140	110	18	58	315	45	870	308	28	M63x1.5	1290	376
1L315S (4-8P)	508	120	635	650	555	406	565	216	80	M20x42	170	140	22	71	315	45	870	308	28	M63x1.5	1210	406
1L315M (4-8P)	508	120	635	650	555	457	675	216	80	M20x42	170	140	22	71	315	45	870	308	28	M63x1.5	1320	406
1L315L (4-8)	508	120	635	650	555	508	675	216	80	M20x42	170	140	22	71	315	45	870	308	28	M63x1.5	1320	406
1L315L (4-8)	508	120	635	650	555	508	675	216	80	M20x42	170	140	22	71	315	45	870	308	28	M63x1.5	1320	406
1L355M (2P)	610	125	735	735	640	560	775	254	75	M24x50	140	110	20	67.5	355	49	995	310	28	M63x1.5	1490	415
1L355L (2P)	610	125	735	735	640	630	775	254	75	M24x50	140	110	20	67.5	355	49	995	321	28	M63x1.5	1490	415
1L355M (4-8P)	610	125	735	735	640	560	775	254	100	M24x50	210	140	28	86	355	49	995	321	28	M63x1.5	1560	445
1L355L (4-8P)	610	125	735	735	640	630	775	254	100	M24x50	210	140	28	86	355	49	995	321	28	M63x1.5	1560	445

**FORMA COSTRUTTIVA B5 e V1 GHISA**  
**DIMENSIONS FOOTMOUNT B5 and V1 CAST IRON**

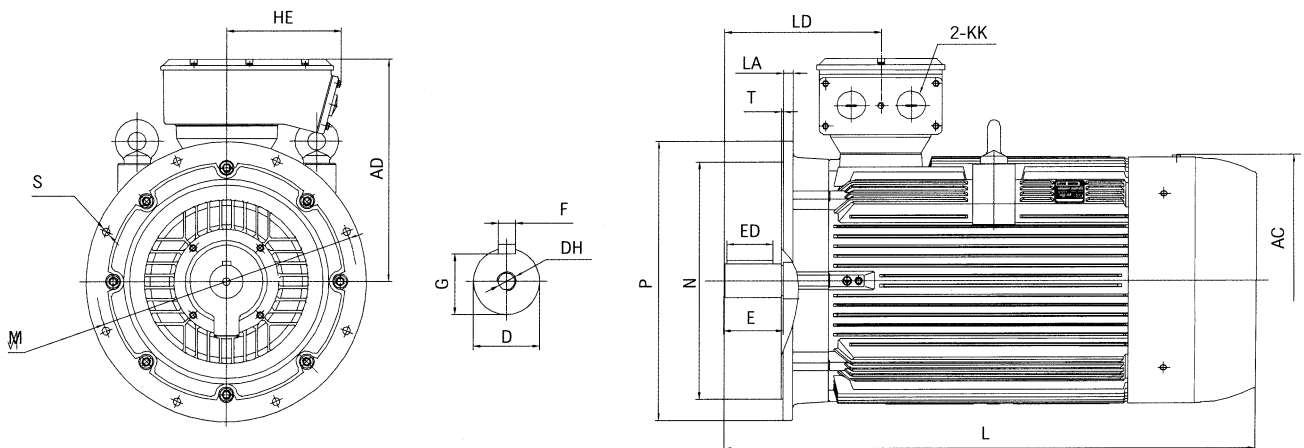
**1L80 ÷ 132**



**1L160 ÷ 280**



**1L315 ÷ 355**



**FORMA COSTRUTTIVA B5 e V1 GHISA**  
***DIMENSIONS FOOTMOUNT B5 and V1 CAST IRON***

Tipo/Frame	AC	AD	D	DH	E	ED	F	G	HE	KK	L	LA	LD	M	N	P	S	T
1L80	175	145	19	M6x16	40	25	6	15.5	50	M25x1.5	305	10	116	165	130	200	12	3.5
1L90S	190	165	24	M8x19	50	40	8	20	50	M25x1.5	360	12	131	165	130	200	12	3.5
1L90L	190	165	24	M8x19	50	40	8	20	50	M25x1.5	390	12	131	165	130	200	12	3.5
1L100	215	180	28	M10x22	60	45	8	24	70	M32x1.5	435	12	157	215	180	250	15	4
1L112	236	188	28	M10x22	60	45	8	24	70	M32x1.5	480	12	163	215	180	250	15	4
1L132S	275	213	38	M12x28	80	63	10	33	70	M32x1.5	515	13	188	265	230	300	15	4
1L132M	275	213	38	M12x28	80	63	10	33	70	M32x1.5	550	13	188	265	230	300	15	4
1L160M	330	250	42	M16x36	110	90	12	37	105	M40x1.5	622	15	268	300	250	350	18.5	5
1L160L	330	250	42	M16x36	110	90	12	37	105	M40x1.5	667	15	268	300	250	350	18.5	5
1L180M	380	275	48	M16x36	110	90	14	42.5	105	M40x1.5	685	15	273	300	250	350	18.5	5
1L180L	380	275	48	M16x36	110	90	14	42.5	105	M40x1.5	732	15	273	300	250	350	18.5	5
1L200	420	324	55	M20x42	110	90	16	49	166	M50x1.5	790	17	291	350	300	400	18.5	5
1L225S (4-8P)	465	335	60	M20x42	140	110	18	53	166	M50x1.5	841	20	340	400	350	450	18.5	5
1L225M (2P)	465	335	55	M20x42	110	90	16	49	166	M50x1.5	865	20	310	400	350	450	18.5	5
1L225M (4-8P)	465	335	60	M20x42	140	110	18	53	166	M50x1.5	870	20	340	400	350	450	18.5	5
1L250M (2P)	520	375	60	M20x42	140	110	18	53	161	M63x1.5	950	21	353	500	450	550	18.5	5
1L250M (4-8P)	520	375	65	M20x42	140	110	18	58	161	M63x1.5	955	21	353	500	450	550	18.5	5
1L280S (2P)	570	405	65	M20x42	140	110	18	58	161	M36x1.5	1020	22	365	500	450	550	18.5	5
1L280S (4-8P)	570	405	75	M20x42	140	110	20	67.5	161	M63x1.5	1020	22	365	500	450	550	18.5	5
1L280M (2P)	570	405	65	M20x42	140	110	18	58	161	M63x1.5	1020	22	365	500	450	550	18.5	5
1L280M (4-8P)	570	405	75	M20x42	140	110	20	67.5	161	M63x1.5	1020	22	365	500	450	550	18.5	5
1L315S (2P)	650	555	65	M20x42	140	110	18	58	308	M63x1.5	1180	24	376	600	550	660	24	6
1L315M (2P)	650	555	65	M20x42	140	110	18	58	308	M63x1.5	1290	24	376	600	550	660	24	6
1L315L (2P)	650	555	65	M20x42	140	110	18	58	308	M63x1.5	1290	24	376	600	550	660	24	6
1L315L (2P)	650	555	65	M20x42	140	110	18	58	308	M63x1.5	1290	24	376	600	550	660	24	6
1L315S (4-8P)	650	555	80	M20x42	170	140	22	71	308	M63x1.5	1210	24	406	600	550	660	24	6
1L315M (4-8P)	650	555	80	M20x42	170	140	22	71	308	M63x1.5	1320	24	406	600	550	660	24	6
1L315L (4-8P)	650	555	80	M20x42	170	140	22	71	308	M63x1.5	1320	24	406	600	550	660	24	6
1L355M (2P)	735	640	75	M24x50	140	110	20	67.5	321	M63x1.5	1490	25	415	740	680	800	24	6
1L355L (2P)	735	640	75	M24x50	140	110	20	67.5	321	M63x1.5	1490	25	415	740	680	800	24	6
1L355M (4-8P)	735	640	100	M24x50	210	140	25	86	321	M63x1.5	1560	25	445	740	680	800	24	6
1L355L (4-8P)	735	640	100	M24x50	210	140	25	86	321	M63x1.5	1560	25	445	740	680	800	24	6

**DATI ELETTRICI - MOTORI TRIFASE IE2 ALLUMINIO IE2**  
**RATED DATA - THREE PHASE MOTORS IE2 ALUMINIUM IE2**  
**POLI 2**

**2 Pole      3000 RPM Synchronous Speed      50Hz**

TIPO TYPE	POTENZA OUTPUT KW	GIRI/min. r.p.m.	CORRENTE FULL LOAD CURRENT			Ia/In Ia/In	RENDIMENTO EFFICIENCY			FATT. DI POTENZA POWER FACTOR cos γ	COPPIA TORQUE Nm	Ca/Cn Ma/Mn	Cm/Cn Mk/Mn	Mom. In. Mom. of In. J (Kgm <sup>2</sup> )	RUMOR. NOISE LEVEL 1 m dB (A)	MASSA MASS Kg.
			380V A	400V A	415V A		100%	75%	50%							
* 56 A-2	0.09	2710	0.39	0.37	0.36	4.0	50.0	49.7	45.0	0.70	1.8	1.8	2.0	0.00006	55	3.2
* 56 B-2	0.12	2710	0.47	0.45	0.43	4.0	55.0	56.2	56.3	0.70	1.8	1.8	2.0	0.00008	55	3.4
* 63 A-2	0.18	2720	0.59	0.55	0.53	4.5	65.0	64.5	59.6	0.73	2.2	2.0	2.2	0.00013	56	3.9
* 63 B-2	0.25	2720	0.76	0.72	0.69	4.5	66.0	65.6	64.1	0.76	2.2	2.0	2.2	0.00015	56	4.4
* 71 A-2	0.37	2760	0.99	0.94	0.90	5.0	70.0	70.9	68.9	0.81	2.2	2.0	2.2	0.00035	64	6.1
* 71 B-2	0.55	2820	1.40	1.33	1.28	5.0	73.0	73.9	71.9	0.82	2.2	2.0	2.3	0.00045	64	6.3
80 A-2	0.75	2840	1.81	1.72	1.66	5.3	79.3	79.0	76.3	0.80	2.51	2.2	3.3	0.00065	66	9
80 B-2	1.1	2850	2.56	2.43	2.34	5.5	81.3	81.0	78.3	0.82	3.69	2.2	3.6	0.00073	66	9
90 S-2	1.5	2850	3.08	2.93	2.82	6.0	83.0	83.2	81.5	0.83	7.38	2.2	3.6	0.00155	69	13
90 L-2	2.2	2860	4.39	4.17	4.02	6.5	82.4	82.7	83.4	0.84	7.38	2.2	4.1	0.00181	69	13
100 L-2	3	2880	5.84	5.55	5.34	6.5	85.4	86.0	85.0	0.87	10.05	2.2	3.4	0.00322	73	23
112 M-2	4	2890	7.79	7.40	7.13	6.5	86.3	87.0	86.0	0.89	13.13	2.2	3.3	0.00496	74	31
132 S1-2	5.5	2900	10.60	10.1	9.73	6.5	87.5	87.6	86.0	0.89	18.08	2.0	3.0	0.01063	75	39
132 S2-2	7.5	2910	14.31	13.6	13.11	7.0	88.4	88.8	87.6	0.88	24.61	2.2	3.2	0.01304	75	39

\* = IE1

**DATI ELETTRICI - MOTORI TRIFASE IE2 ALLUMINIO IE2**  
**RATED DATA - THREE PHASE MOTORS IE2 ALUMINIUM IE2**  
**POLI 4**

**4 Pole      1500 RPM Synchronous Speed      50Hz**

TIPO TYPE	POTENZA OUTPUT KW	GIRI/min. r.p.m.	CORRENTE FULL LOAD CURRENT			Ia/In Ia/In	RENDIMENTO EFFICIENCY			FATT. DI POTENZA POWER FACTOR cos γ	COPPIA TORQUE Nm	Ca/Cn Ma/Mn	Cm/Cn Mk/Mn	Mom. In. Mom. of In. J (Kgm <sup>2</sup> )	RUMOR. NOISE LEVEL 1 m dB (A)	MASSA MASS Kg.
			380V A	400V A	415V A		100%	75%	50%							
* 56 A-4	0.06	1330	0.36	0.34	0.33	4.0	46.0	42.0	36.5	0.55	1.4	1.6	2.0	0.00010	44	3.2
* 56 B-4	0.09	1330	0.43	0.41	0.40	4.0	50.0	49.2	43.0	0.63	1.8	1.6	2.0	0.00012	44	3.4
* 63 A-4	0.12	1340	0.44	0.42	0.41	3.5	57.0	57.1	52.6	0.72	1.8	1.8	2.0	0.00019	45	4.0
* 36 B-4	0.18	1340	0.64	0.61	0.59	3.5	58.0	59.5	56.4	0.73	1.8	1.8	2.0	0.00022	46	4.0
* 71 A-4	0.25	1345	0.79	0.75	0.72	3.5	65.0	65.1	61.3	0.74	2.1	1.8	2.2	0.00069	50	6.1
* 71 B-4	0.37	1340	1.11	1.06	1.02	3.5	67.0	68.2	65.7	0.75	2.1	2.0	2.2	0.00090	50	6.7
* 80 A-4	0.55	1390	1.56	1.49	1.43	5.0	71.0	72.4	70.6	0.75	2.2	2.0	2.5	0.00116	54	8.8
80 B-4	0.75	1410	1.87	1.78	1.71	5.0	79.6	79.2	79.2	0.76	5.04	2.0	2.8	0.00130	54	9
90 S-4	1.1	1420	2.52	2.40	2.31	5.5	81.4	81.0	81.0	0.78	7.37	2.1	3.8	0.00271	57	13
90 L-4	1.5	1420	3.39	3.22	3.10	5.5	82.8	82.4	82.4	0.79	10.09	2.1	4.0	0.00318	57	13
100 L1-4	2.2	1440	4.59	4.71	4.54	5.5	84.3	84.0	84.0	0.78	14.69	2.4	3.6	0.00522	62	23
100 L2-4	3	1440	6.68	6.35	6.12	5.5	85.5	85.6	85.6	0.80	20.03	2.4	3.8	0.00633	62	23
112 M-4	4	1440	8.30	7.88	7.60	6.0	87.0	87.4	87.4	0.81	26.62	2.2	3.1	0.01068	66	31
132 S-4	5.5	1450	11.47	10.9	10.50	6.5	87.8	87.9	87.9	0.83	36.73	2.2	2.6	0.02164	67	39
132 M-4	7.5	1450	15.2	14.5	14.0	6.5	89.0	89.2	89.2	0.84	50.08	2.2	2.8	0.02829	67	39

\* = IE1

**DATI ELETTRICI - MOTORI TRIFASE IE2 ALLUMINIO IE2**  
**RATED DATA - THREE PHASE MOTORS IE2 ALUMINIUM IE2**  
**POLI 6**

**6 Pole 1000 RPM Synchronous Speed 50Hz**

TIPO TYPE	POTENZA OUTPUT KW	GIRI/min. r.p.m.	CORRENTE FULL LOAD CURRENT			Ia/In Ia/In	RENDIMENTO EFFICIENCY			FATT. DI POTENZA POWER FACTOR cos γ	COPPIA TORQUE Nm	Ca/Cn Ma/Mn	Cm/Cn Mk/Mn	Mom. In. Mom. of In. J (Kgm²)	RUMOR. NOISE LEVEL 1 m dB (A)	MASSA MASS Kg.
			380V A	400V A	415V A		100%	75%	50%							
* 63 A-6	0.09	860	0.48	0.46	0.44	2.5	48.0	43.9	34.0	0.59	1.9	2.0	2.0	0.00019	43	4.5
* 63 B-6	0.12	860	0.60	0.57	0.55	2.5	51.5	48.0	40.2	0.59	1.9	2.0	2.0	0.00022	43	5.6
* 71 A-6	0.18	860	0.73	0.70	0.67	3.5	56.0	55.9	50.5	0.66	1.9	1.8	2.0	0.00069	46	6.4
* 71 B-6	0.25	860	0.94	0.90	0.87	3.5	59.0	59.2	55.0	0.68	1.9	1.8	2.0	0.00090	46	6.6
* 80 A-6	0.37	885	1.29	1.23	1.18	3.5	62.0	61.2	56.4	0.70	2.0	1.8	2.1	0.00022	49	8.5
* 80 B-6	0.55	885	1.79	1.70	1.63	3.5	65.0	65.2	61.8	0.72	2.0	1.8	2.1	0.00258	49	9.2
90 S-6	0.75	925	2.10	1.99	1.92	4.0	76.0	76.0	73.9	0.71	7.66	2.0	3.1	0.00398	54	13
90 L-6	1.1	930	2.98	2.84	2.74	4.0	78.3	78.3	76.0	0.72	11.23	2.1	3.2	0.00553	54	13
100 L-6	1.5	940	3.94	3.74	3.60	4.0	79.8	79.8	79.9	0.73	15.24	2.0	3.1	0.00875	56	23
112 M-6	2.2	945	5.00	5.29	5.10	5.0	81.8	81.8	81.8	0.75	22.35	1.8	2.6	0.01380	58	31
132 S-6	3	960	7.15	6.80	6.56	6.0	83.3	83.3	81.6	0.76	30.42	1.8	2.2	0.02901	61	39
132 M1-6	4	960	9.16	8.71	8.40	5.5	84.6	84.6	83.3	0.77	40.42	2.0	2.4	0.03740	61	48
132 M2-6	5.5	960	12.21	11.6	11.2	6.0	86.0	86.0	84.7	0.77	55.58	2.0	2.6	0.04827	61	48

\* = IE1

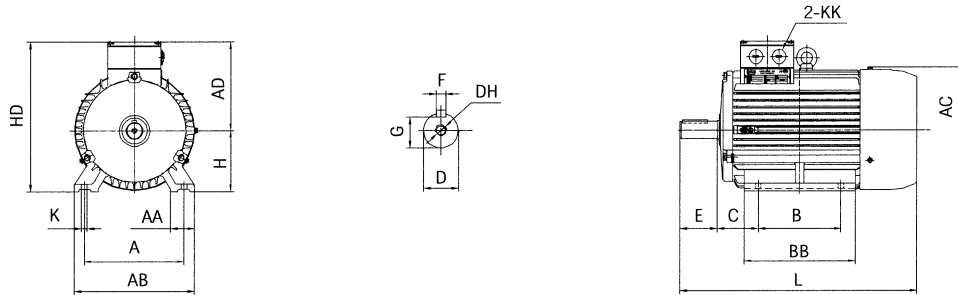
**DATI ELETTRICI - MOTORI TRIFASE IE2 ALLUMINIO IE1**  
**RATED DATA - THREE PHASE MOTORS IE2 ALUMINIUM IE1**  
**POLI 8**

**8 Pole 7500 RPM Synchronous Speed 50Hz**

TIPO TYPE	POTENZA OUTPUT KW	GIRI/min. r.p.m.	CORRENTE FULL LOAD CURRENT			Ia/In Ia/In	RENDIMENTO EFFICIENCY			FATT. DI POTENZA POWER FACTOR cos γ	COPPIA TORQUE Nm	Ca/Cn Ma/Mn	Cm/Cn Mk/Mn	Mom. In. Mom. of In. J (Kgm²)	RUMOR. NOISE LEVEL 1 m dB (A)	MASSA MASS Kg.
			380V A	400V A	415V A		100%	75%	50%							
71 A-8	0.09	635	0.71	0.68	0.66	2.9	39.0	35.9	29.3	0.49	1.35	1.8	2.0	0.00090	41	6.4
71 B-8	0.12	635	0.78	0.74	0.78	2.9	48.0	45.8	39.5	0.49	1.80	1.8	2.0	0.00120	42	7.6
80 A-8	0.18	645	0.88	0.84	0.81	2.9	51.0	50.5	44.7	0.61	2.66	1.8	2.0	0.00222	43	8.3
80 B-8	0.25	645	1.15	1.10	1.06	2.9	54.0	53.9	48.4	0.61	3.70	1.9	2.0	0.00258	43	9
90 S-8	0.37	670	1.48	1.41	1.36	3.2	62.0	61.8	57.1	0.61	5.27	1.9	2.3	0.00398	50	11.5
90 L-8	0.55	670	2.18	2.07	2.00	3.2	63.0	63.3	59.2	0.61	7.83	2.0	2.3	0.00533	50	15
100 LA-8	0.75	680	2.54	2.42	2.33	4.1	66.7	66.5	62.2	0.67	10.33	1.8	2.2	0.00875	54	18
100 LB-8	1.1	680	3.46	3.29	3.17	5.0	69.9	70.8	68.0	0.69	15.44	1.8	2.2	0.01073	54	22
112 M-8	1.5	700	4.52	4.30	4.14	5.0	73.0	73.1	70.1	0.69	20.46	2.0	2.5	0.01380	56	29
132 S-8	2.2	710	6.19	5.88	5.66	6.0	76.1	76.3	73.9	0.71	29.59	1.8	2.5	0.03106	59	36
132 M-8	3	710	8.00	7.59	7.32	6.0	78.2	79.1	77.4	0.73	40.35	1.8	2.4	0.03905	59	45

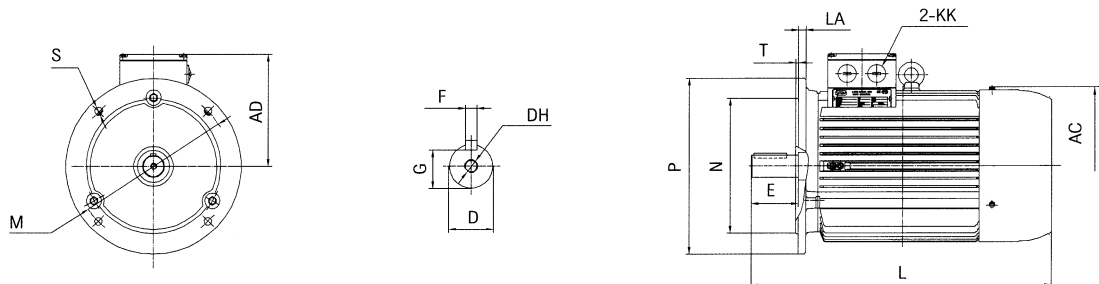
**FORMA COSTRUTTIVA B3 ALLUMINIO**  
***DIMENSIONS FOOTMOUNT B3 ALUMINIUM***

**80 ÷ 132**



**FORMA COSTRUTTIVA B5 e V1 ALLUMINIO**  
***DIMENSIONS FOOTMOUNT B5 and V1 ALUMINIUM***

**80 ÷ 132**



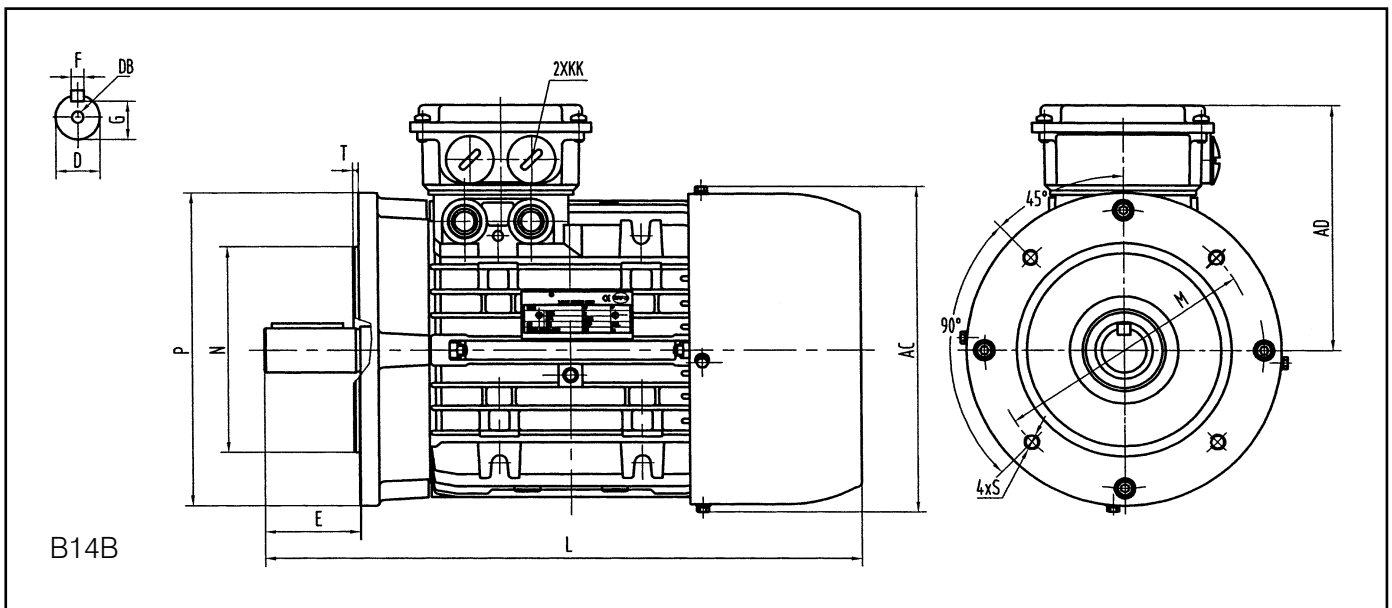
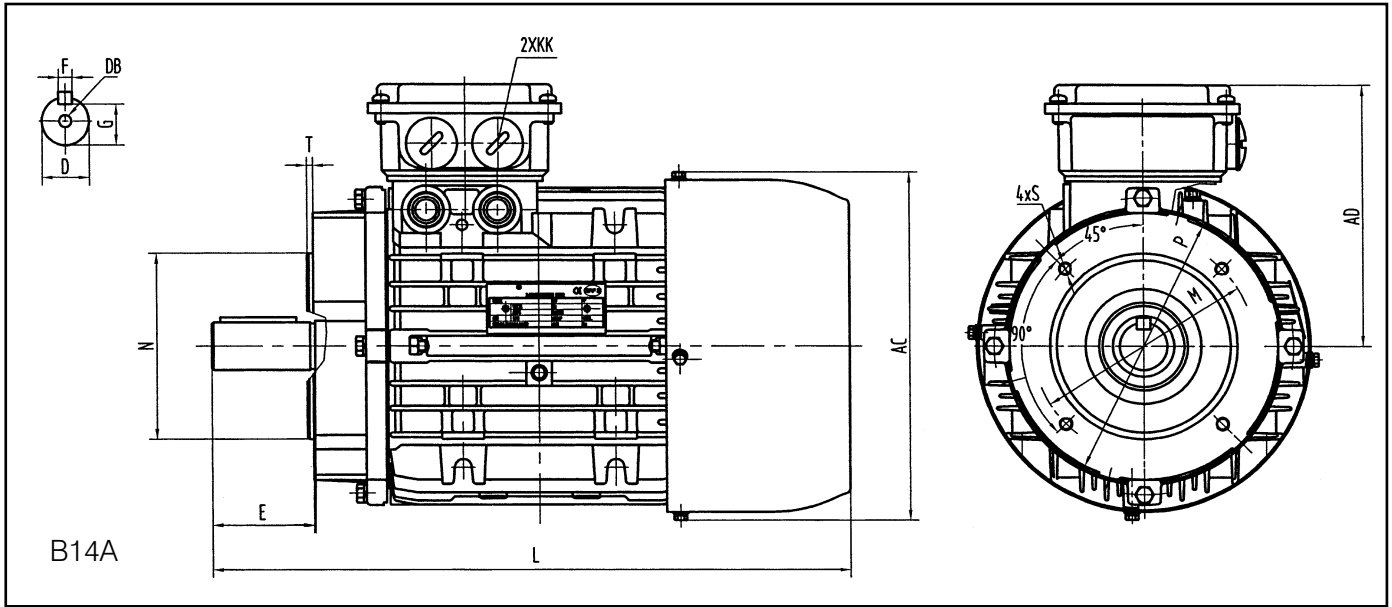
**FORMA COSTRUTTIVA B3 ALLUMINIO IE2**  
***DIMENSIONS FOOTMOUNT B3 ALUMINIUM IE2***

Tipo/Frame	A	AB	AC	AD	B	C	D	DH	E	F	G	H	HD	K	KK	L
80	125	160	185	160	100	50	19	M6x16	40	6	15.5	80	240	10	M25x1.5	310
90S	140	170	190	160	100	56	24	M8x19	50	8	20	90	250	10	M25x1.5	360
90L	140	170	190	160	125	56	24	M8x19	50	8	20	90	250	10	M25x1.5	360
100L	160	195	205	170	140	63	28	M10x22	60	8	24	100	270	12	M32x1.5	440
112M	190	230	240	188	140	70	28	M10x22	60	8	24	112	300	12	M32x1.5	420
132S	216	260	270	213	140	89	38	M12x28	80	10	33	132	345	12	M32x1.5	475
132M	216	260	270	213	178	89	38	M12x28	80	10	33	132	345	12	M32x1.5	510

**FORMA COSTRUTTIVA B5 e V1 ALLUMINIO IE2**  
***DIMENSIONS FOOTMOUNT B5 and V1 ALUMINIUM IE2***

Tipo/Frame	AC	AD	D	DH	E	F	G	KK	L	M	N	P	S	T
80	185	160	19	M6x16	40	6	15.5	M25x1.5	310	165	130	200	12	3.5
90S	190	160	24	M8x19	50	8	20	M25x1.5	360	165	130	200	12	3.5
90L	190	160	24	M8x19	50	8	20	M25x1.5	360	165	130	200	12	3.5
100L	205	170	28	M10x22	60	8	24	M32x1.5	440	215	180	250	15	4
112M	240	188	28	M10x22	60	8	24	M32x1.5	420	215	180	250	15	4
132S	270	213	38	M12x28	80	10	33	M32x1.5	475	265	230	300	15	4
132M	270	213	38	M12x28	80	10	33	M32x1.5	510	265	230	300	15	4

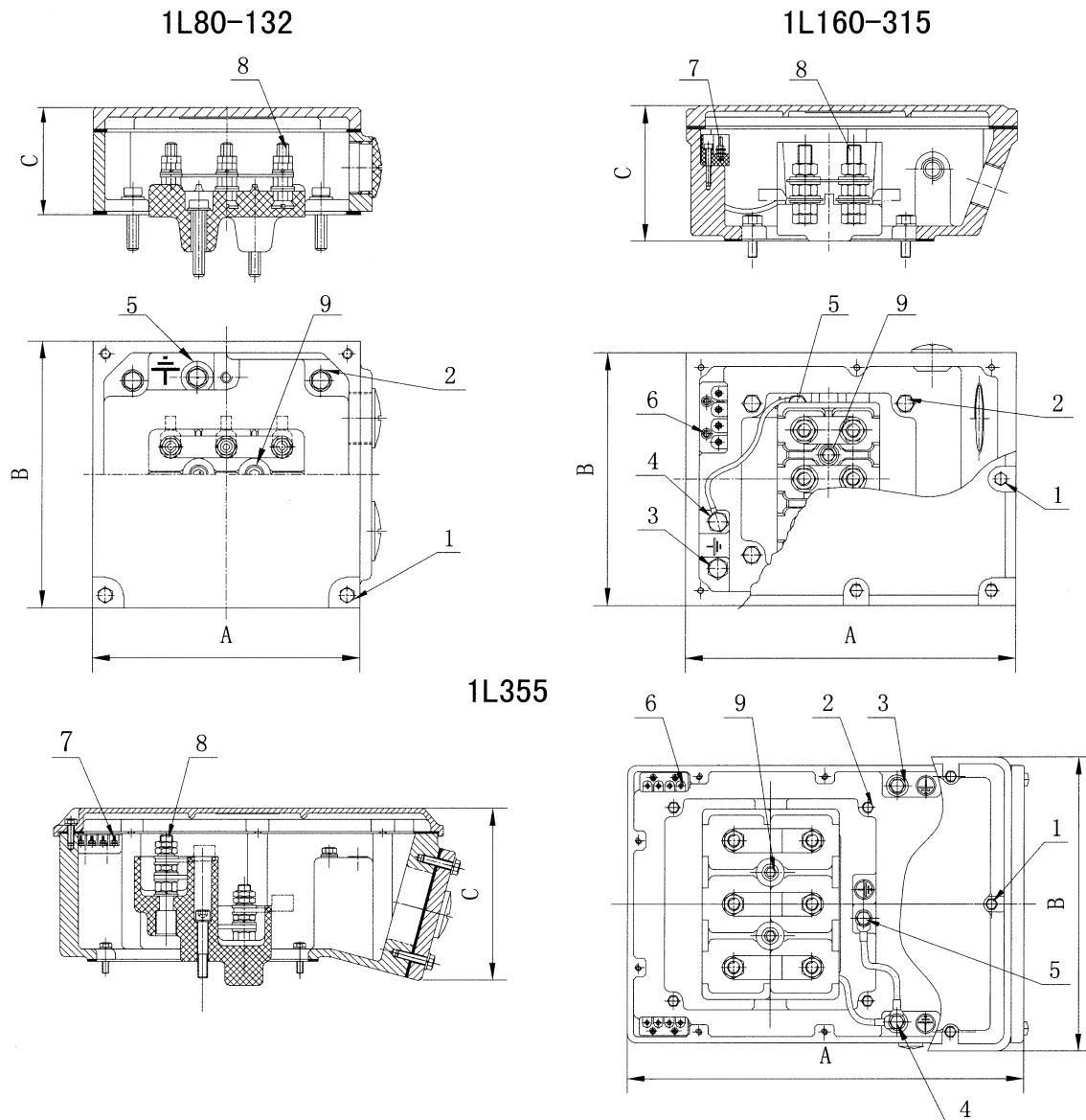
**FORMA COSTRUTTIVA B14A e B14B ALLUMINIO**  
**DIMENSIONS B14A and B14B ALUMINIUM**



Tipo Frame	B14 A										B14 B								
	AC	AD	D	DB	E	F	G	KK	L	M	N	P	S	T	M	N	P	S	T
63	120	115	11	M3x9	23	4	8.5	M20x1.5	230	75	60	90	M5	2.5	100	80	120	M6	3
71	145	125	14	M4x10	30	5	11	M20x1.5	260	85	70	105	M6	2.5	115	95	140	M8	3
80	185	160	19	M6x16	40	6	15.5	M25x1.5	310	100	80	120	M6	3	130	110	160	M8	3.5
90S	190	160	24	M8x19	50	8	20	M25x1.5	360	115	95	140	M8	3	130	110	160	M8	3.5
90L	190	160	24	M8x19	50	8	20	M25x1.5	360	115	95	140	M8	3	130	110	160	M8	3.5
100	205	170	28	M6x16	60	8	24	M25x1.5	440	130	110	160	M8	3.5	165	130	200	M8	3.5
112	240	188	28	M10x22	60	8	24	M25x1.5	420	130	110	160	M10	3.5	165	130	200	M10	3.5
132S	270	213	38	M12x28	80	10	33	M32x1.5	475	165	130	200	M10	3.5					
132M	270	213	38	M12x28	80	10	33	M32x1.5	510	165	130	200	M10	3.5					
1L160M	330	255	42	M16x36	110	12	37	M40x1.5	615	215	180	250	M12	4					
1L160L	330	255	42	M16x36	110	12	37	M40x1.5	670	215	180	250	M12	4					



# MORSETTIERA TERMINAL BOX



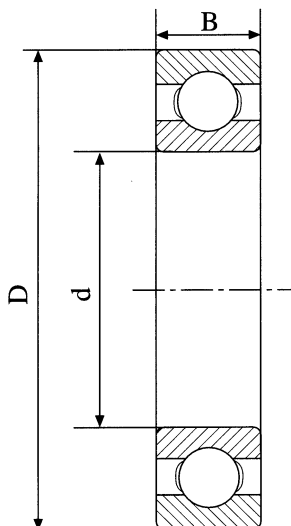
Tipo	A	B	C	1	2	3**	4**	5**	6	7	8	9	Pressacavi metrici	Pressacavi PG
Frame													Metric Gland Sizes	PG Gland Sizes
1L80-90	100	100	46	M5x16	M6x16	N/A	N/A	M6x10	N/A	N/A	M4	M6x25	2xM25	2xPG16
1L100-132	118	118	59	M5x16	M6x16	N/A	N/A	M6x10	N/A	N/A	M5	M6x25	2xM32	2xPG21
1L160-180	200	164	83	M6x16	M6x20	M8x16	M8x16	M8x16	M4x25	M3	M8	M8x30	2xM40	2xPG29
1L200-225	285	190	109	M6x25	M8x30	M8x16	M8x16	M8x16	M4x25	M3	M10	M8x30	2xM50	2xPG36
1L250-280	284	218	119	M6x25	M8x30	M10x20	M10x20	M10x20	M4x25	M3	M10	M10x30	2xM63	2xPG42
1L315	441	326	195	M8x30	M8x30	M10x16	M10x16	M10x16	M4x25	M3	M12	M10x50	2xM63	2xPG48
1L355	490	365	220	M8x30	M8x30	M10x25	M10x25	M10x25	M4x25	M3	M16	M12x80	2xM63	2xPG48

\*\* Morsetto di messa a terra

\*\* Earth stud on the T/Box

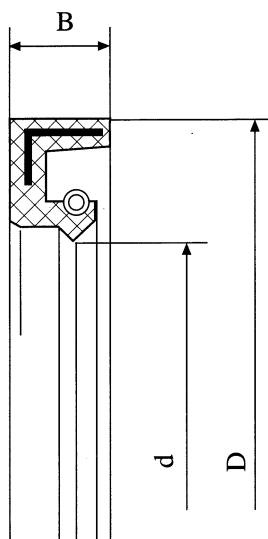
## CUSCINETTI E ANELLI DI TENUTA BEARING & OIL SEAL INFORMATION

### CUSCINETTI BEARING DATA



Tipo/Frame	DE	NDE	d	D	B
1L80	6204 ZZ C3	6204 ZZ C3	20	47	14
1L90	6205 ZZ C3	6205 ZZ C3	25	52	15
1L100	6206 ZZ C3	6206 ZZ C3	30	62	16
1L112	6306 ZZ C3	6306 ZZ C3	30	72	19
1L132	6308 ZZ C3	6308 ZZ C3	40	90	23
1L160	6309 C3	6309 C3	45	100	25
1L180	6311 C3	6311 C3	55	120	29
1L200	6312 C3	6312 C3	60	130	31
1L225	6313 C3	6313 C3	65	140	33
1L250	6314 C3	6314 C3	70	150	35
1L280 2P	6314 C3	6314 C3	70	150	35
1L280 4-8P	6316 C3	6316 C3	80	170	39
1L315 2P (Orizzontale/Horizontal)	6316 C3	6316 C3	80	170	39
1L315 2P (Verticale/Vertical)	6316 C3	7316	80	170	39
1L315 4-8P (Orizzontale/Horizontal)	NU319 C3	6319 C3	95	200	45
1L315 4-8P (Verticale/Vertical)	NU319 C3	7319	95	200	45
1L355 2P (Orizzontale/Horizontal)	6319 C3	6319 C3	95	200	45
1L355 2P (Verticale/Vertical)	6319 C3	7319	95	200	45
1L355 4-8P (Orizzontale/Horizontal)	NU322	6322 C3	110	240	50
1L355 4-8P (Verticale/Vertical)	NU322 C3	7322	110	240	50

### ANELLI DI TENUTA OIL SEAL DATA



Tipo/Frame	DE			NDE		
	d	D	B	d	D	B
1L80	20	35	5	20	35	5
1L90	25	40	5	25	40	5
1L100	30	52	7	30	52	7
1L112	30	52	7	30	52	7
1L132	40	62	5	40	62	5
1L160	45	65	8	45	65	8
1L180	55	75	8	55	75	8
1L200	60	80	8	60	80	8
1L225	65	90	10	65	90	10
1L250	70	95	10	70	95	10
1L280 2P	70	95	10	70	95	10
1L280 4-8P	80	100	10	80	100	10
1L315 2P	80	100	10	80	100	10
1L315 4-8P	95	120	12	95	120	12
1L355 2P	95	120	12	95	120	12
1L355 4-8P	110	140	12	110	140	12

## CUSCINETTI E INTERCUSCINETTI E INTERVALLI DI LUBRIFICAZIONE BEARING SIZES & REGREASING INFORMATION

Standard: I cuscinetti schermati ZZ non richiedono ingrassaggio.

Standard: "Sealed for life" double shielded ZZ bearings. Motor clearance or C3 not regreasable.

Con Ingrassatori (a richiesta).

With greasers (on request).

Tipo  <i>IEC frame size</i>	Cuscinetto lato comando  <i>Bearing drive end (D.E.)</i>	Cuscinetto lato ventola  <i>Bearing non drive end (N.D.E.)</i>	Intervallo di lubrificazione con temperatura di utilizzo del cuscinetto fino a 70°C un condizioni normali <i>Regreasing period hours for operating temperatures up to 70° C</i>			Quantità di grasso in grammi
			RPM<3600	RPM<1800	RPM<1200	<i>Quantity of grease in bearing chamber if open bearings are fitted</i>  GRAMS
56	6201Z	6201Z	3000	3000	3000	3.5
63	6201Z	6201Z	3000	3000	3000	3.5
71	6202Z	6202Z	3000	3000	3000	3.5
80	6204ZZC3	6204ZZC3	30000	30000	30000	3.5
90	6205ZZC3	6205ZZC3	28000	30000	30000	4
100	6206ZZC3	6206ZZC3	25000	30000	30000	6
112	6306ZZC3	6306ZZC3	20000	20000	30000	7
132	6308ZZC3	6308ZZC3	15000	20000	30000	10.5

## CUSCINETTI E INTERVALLI DI LUBRIFICAZIONE BEARING SIZES & REGREASING INFORMATION

Standard: Cuscinetti apti senza sistema di lubrificazione automatica.

Standard: *Regreasable open bearing.  
C3 clearance without automatic grease relief*

Tipo  <i>IEC frame size</i>	Cuscinetto lato comando  <i>Bearing drive end (D.E.)</i>	Cuscinetto lato ventola  <i>Bearing non drive end (N.D.E.)</i>	Intervallo di lubrificazione con temperatura di utilizzo del cuscinetto fino a 70°C un condizioni normali <i>Regreasing period hours for operating temperatures up to 70° C</i>			Quantità di grasso in grammi  <i>Quantity of grease in bearing chamber if open bearings are fitted</i>  GRAMS
			RPM<3600	RPM<1800	RPM<1200	
56	6201Z	6201Z	3000	3000	3000	3.5
1L160	6309 C3	6309 C3	6000	12000	18000	13
1L180	6311 C3	6311 C3	4000	11000	16000	15
1L200	6312 C3	6312 C3	3500	8500	13000	20
1L200*	NU312	6312 C3	1800	4250	6500	20
1L225	6313 C3	6313 C3	3000	6000	9000	22
1L225*	NU313	6313 C3	1500	3000	4500	22
1L250	6314 C3	6314 C3	2000	5000	8000	23
1L250*	NU314	6314 C3	1000	2500	4000	23
1L280 2P	6314 C3	6314 C3	1200	-	-	30
1L280 4-8P	6316 C3	6316 C3	-	4000	6000	30
1L280 4-8P*	NU316	6316 C3	600	2000	3500	30
1L315 2P	6316 C3	6316 C3	1200	-	-	30
1L315 4-8P	NU319 C3	6319 C3	-	2000	3000	45
1L355 2P	6319 C3	6319 C3	1200	-	-	30
1L355 4-8P	NU322 C3	6322 C3	-	1400	2200	60

Note:

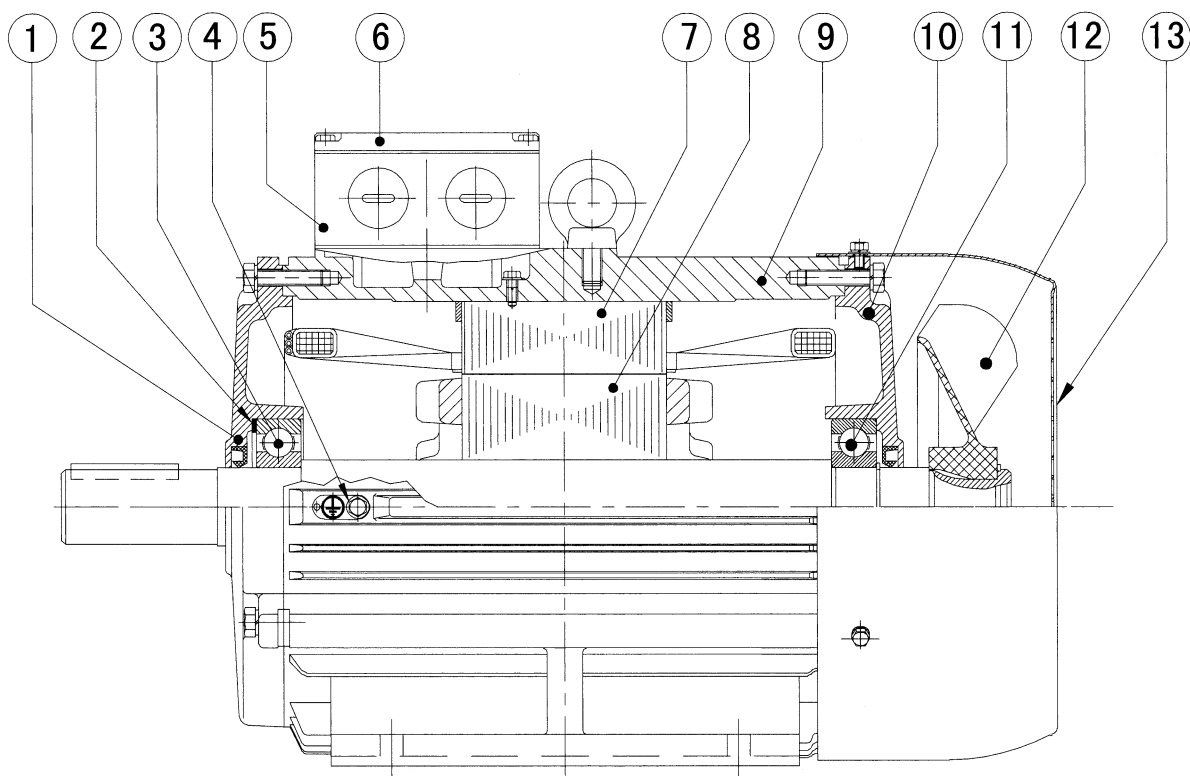
1. I motori in verticale devono essere ingrassati il doppio dei motori in orizzontale.
2. È raccomandato sostituire i cuscinetti schermati (ZZ) con nuovi cuscinetti schermati (ZZ) al termine dell'intervallo di lubrificazione.
3. L'intervallo di lubrificazione viene ridotto se la temperatura di esercizio del cuscinetto supera i 70°C.

Notes:

1. Vertical motors should be greased twice as often as horizontal motors.
2. It is recommended that "Sealed for life" bearings are replaced with new bearings when they are due for regreasing. It is possible to remove the shield from the out board side of these bearings, clean them out, and repack them with fresh grease, but it is non recommended. (The grease is retained between the inboard bearing shield and the oilseal in the endshield, as all motors are IP55 and fitted with an oilseal at both ends).
3. Regreasing time should be reduced if bearing operating temperature is in excess of 70° C.

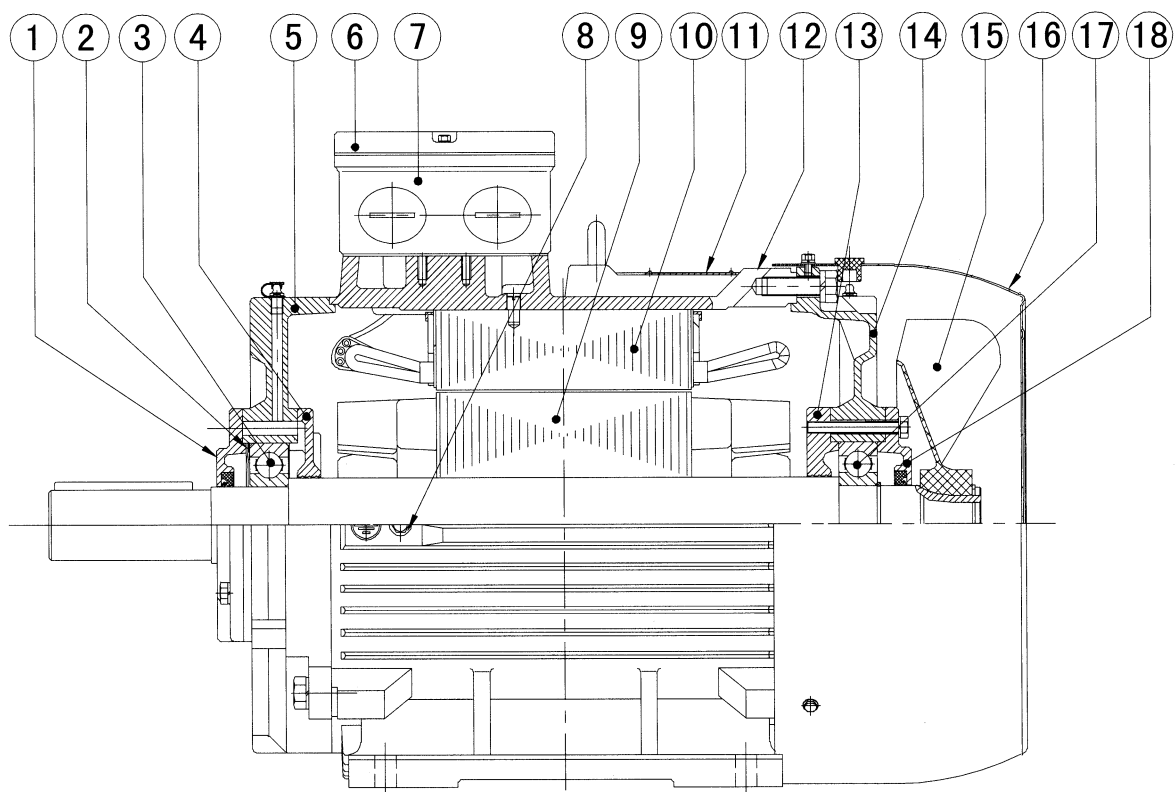
## SPECIFICHE, DISPOSIZIONE E DESCRIZIONE MOTORE TIPO 1L80-132 SPECIFICATION, ARRANGEMENT AND PARTS LIST 1L80-132 FRAME

- |   |                                      |
|---|--------------------------------------|
| 1 Scudo anteriore con anello di tenuta.   | 1 Endshield D. E. with oil seal.     |
| 2 Molla di precarico.                     | 2 Wave Washer                        |
| 3 Cuscinetto anteriore.                   | 3 Bearing D. E.                      |
| 4 Morsetto di messa a terra esterno.      | 4 External Earth Stud.               |
| 5 Scatola morsettiera.                    | 5 Terminal Box.                      |
| 6 Coperchio scatola morsettiera.          | 6 Terminal Box Lid.                  |
| 7 Statore.                                | 7 Stator lamination pack.            |
| 8 Rotore.                                 | 8 Rotor lamination pack.             |
| 9 Carcassa.                               | 9 Stator Frame.                      |
| 10 Scudo posteriore con anello di tenuta. | 10 Endshield N. D. E. with oil seal. |
| 11 Cuscinetto posteriore.                 | 11 Bearing N. D. E.                  |
| 12 Ventola.                               | 12 Fan.                              |
| 13 Copriventola.                          | 13 Fan cowl.                         |



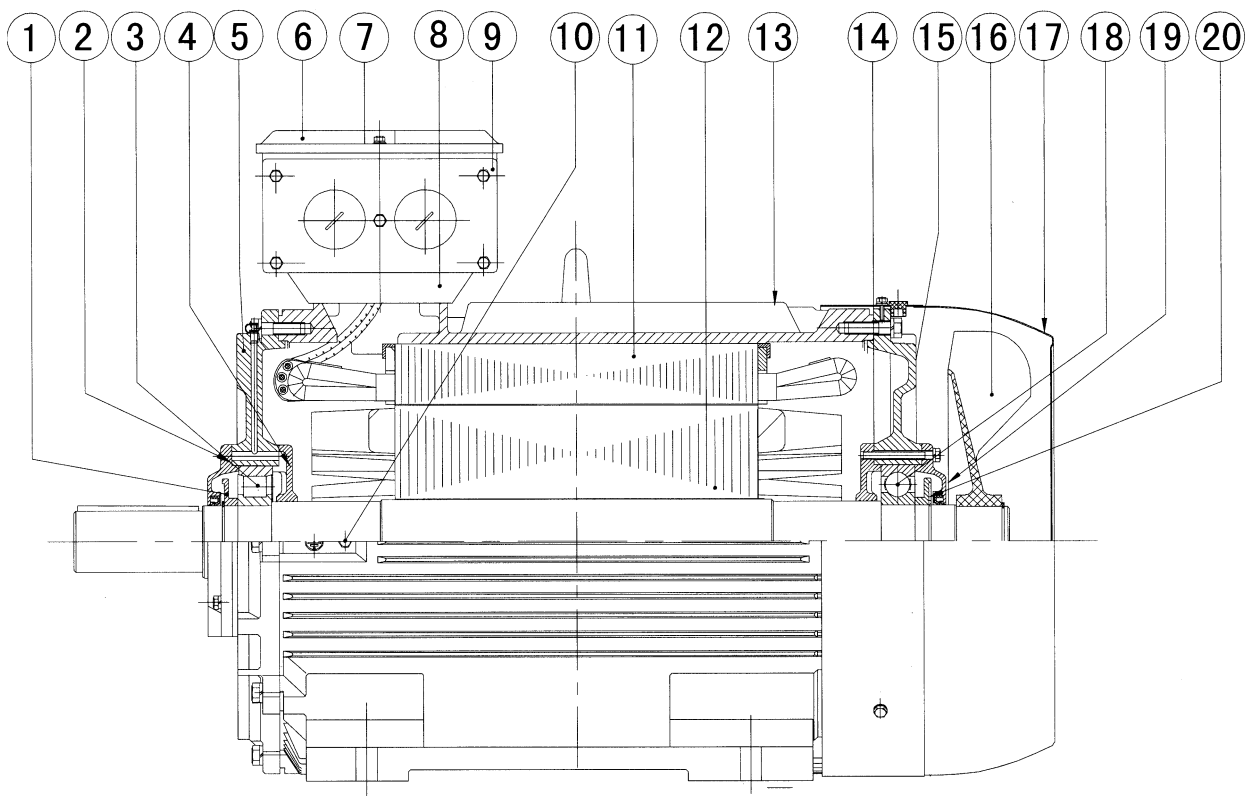
## SPECIFICHE, DISPOSIZIONE E DESCRIZIONE MOTORE TIPO 1L160-280 SPECIFICATION, ARRANGEMENT AND PARTS LIST 1L160-280 FRAME

- |  |   |
|--|---|
| 1 Coperchio esterno del cuscinetto anteriore con anello di tenuta.   | 1 <i>Outer Bearing Cap D. E. with oil seal.</i>     |
| 2 Molla di precarico.  | 2 <i>Wave Washer.</i>                               |
| 3 Cuscinetto anteriore.  | 3 <i>Bearing D. E.</i>                              |
| 4 Coperchio interno del cuscinetto anteriore.                        | 4 <i>Inner Bearing Cap D. E.</i>                    |
| 5 Scudo anteriore.   | 5 <i>Endshield D. E.</i>                            |
| 6 Coperchio scatola morsetteria.                                     | 6 <i>Terminal Box Lid.</i>                          |
| 7 Scatola morsetteria.   | 7 <i>Terminal Box.</i>                              |
| 8 Morsetto di messa a terra esterno.                                 | 8 <i>External Earth Stud.</i>                       |
| 9 Rotore.  | 9 <i>Rotor lamination pack.</i>                     |
| 10 Statore.  | 10 <i>Stator lamination pack.</i>                   |
| 11 Targa motore.   | 11 <i>Nameplate.</i>                                |
| 12 Carcassa.   | 12 <i>Stator Frame.</i>                             |
| 13 Coperchio interno del cuscinetto posteriore.                      | 13 <i>Inner Bearing Cap N. D. E.</i>                |
| 14 Scudo posteriore.   | 14 <i>Endshield N. D. E.</i>                        |
| 15 Ventola.  | 15 <i>Fan.</i>                                      |
| 16 Copriventola.   | 16 <i>Fan cowl.</i>                                 |
| 17 Cuscinetto posteriore.  | 17 <i>Bearing N. D. E.</i>                          |
| 18 Coperchio esterno del cuscinetto posteriore con anello di tenuta. | 18 <i>Outer Bearing Cap N. D. E. with oil seal.</i> |



## SPECIFICHE, DISPOSIZIONE E DESCRIZIONE MOTORE TIPO 1L315-355 SPECIFICATION, ARRANGEMENT AND PARTS LIST 1L315-355 FRAME

- |  |   |
|--|---|
| 1 Labirinto anteriore.   | 1 <i>Flinger D. E.</i>                              |
| 2 Coperchio esterno del cuscinetto anteriore con anello di tenuta.   | 2 <i>Outer Bearing Cap D. E. with oil seal.</i>     |
| 3 Cuscinetto anteriore.  | 3 <i>Bearing D. E.</i>                              |
| 4 Coperchio interno del cuscinetto anteriore.                        | 4 <i>Inner Bearing Cap D. E.</i>                    |
| 5 Scudo anteriore.   | 5 <i>Endshield D. E.</i>                            |
| 6 Scatola morsettiere.   | 6 <i>Terminal Box.</i>                              |
| 7 Coperchio scatola morsettiere.                                     | 7 <i>Terminal Box Lid.</i>                          |
| 8 Adattatore scatola morsettiere.                                    | 8 <i>Terminal Box Adapter</i>                       |
| 9 Piastra pressocavi removibile.                                     | 9 <i>Removable Gland Plate.</i>                     |
| 10 Morsetto di messa a terra esterno.                                | 10 <i>External Earth Stud.</i>                      |
| 11 Lamierino statore.  | 11 <i>Stator lamination pack.</i>                   |
| 12 Lamierino rotore.   | 12 <i>Rotor lamination pack.</i>                    |
| 13 Carcassa.   | 13 <i>Stator Frame</i>                              |
| 14 Coperchio interno del cuscinetto posteriore.                      | 14 <i>Inner Bearing Cap N. D. E.</i>                |
| 15 Scudo posteriore.   | 15 <i>Endshield N. D. E.</i>                        |
| 16 Ventola.  | 16 <i>Fan.</i>                                      |
| 17 Copriventola.   | 17 <i>Fan cowl</i>                                  |
| 18 Cuscinetto posteriore.  | 18 <i>Bearing N. D. E.</i>                          |
| 19 Coperchio esterno del cuscinetto posteriore con anello di tenuta. | 19 <i>Outer Bearing Cap N. D. E. with oil seal.</i> |
| 20 Labirinto posteriore.   | 20 <i>Flinger N. D. E.</i>                          |



## PROGRAMMA DI VENDITA

### Motori antideflagranti

#### CESI 01 ATEX 059 Q

Ex-d  
Ex nA  
Ex tD

Gruppo II A - II B - II C  
Classe di temperatura T3 - T4 - T5 - T6  
Trifase e monofase  
Con freno

### Motori chiusi con ventilazione esterna

Trifase e monofase  
Autofrenanti  
Ad anelli con rotore avvolto  
Speciali su richiesta del cliente

### Elettropompe centrifughe

A corpo immerso  
Verticali a parete  
Orizzontali  
Media e alta pressione  
Autoadescanti

## SALES PROGRAM

### Flameproof motors

#### CESI 01 ATEX 059 Q

Ex-d  
Ex nA  
Ex tD

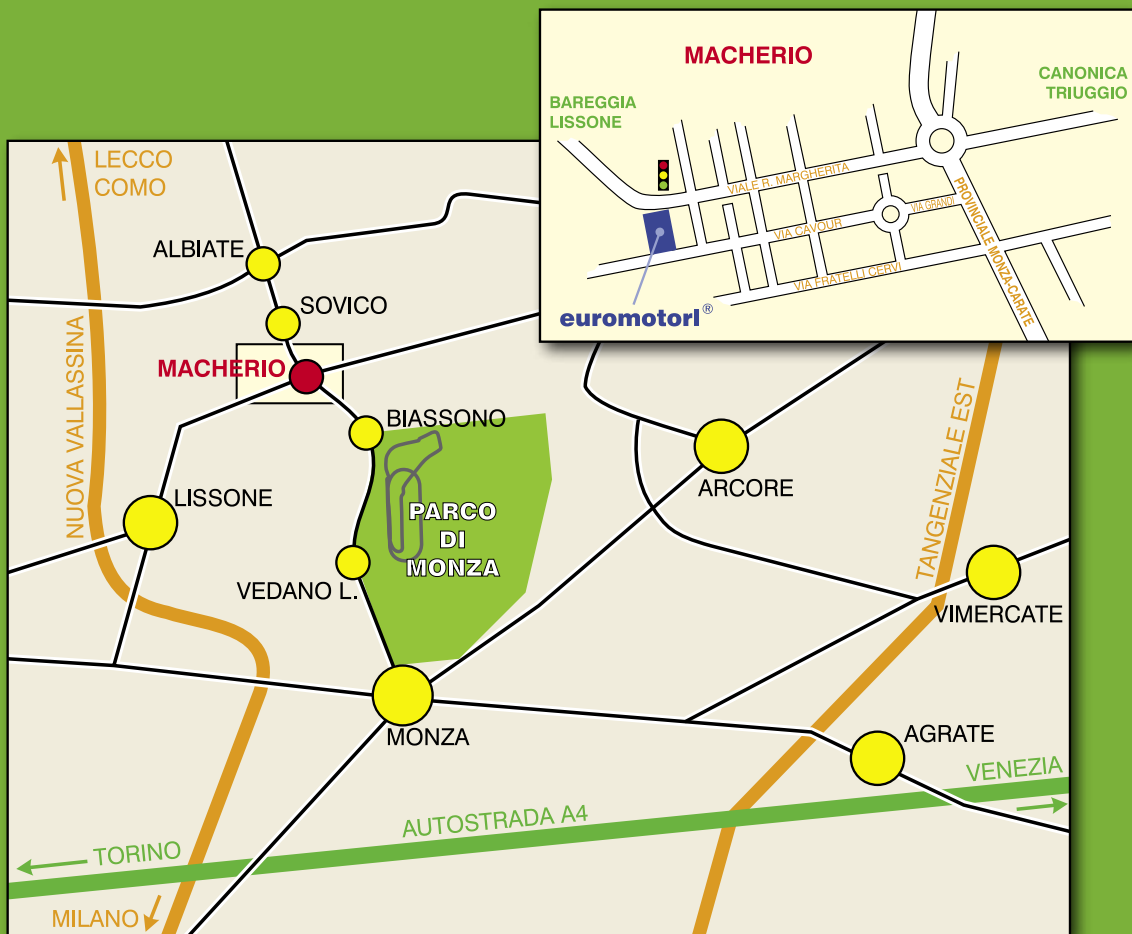
Group II A - II B - II C  
Temperature class T3 - T4 - T5 - T6  
Three and single phase  
With brake

### Totally enclosed fan cooled motors

Three and single-phase  
With brake  
At rings with winding rotor, motors  
Special according client design

### Centrifugal pumps

Immergibles  
Vertical wall mounting  
Horizontals  
Medium and high pressure  
Self-priming



**euromotori®**

20846 Macherio (MB) Italy - Via Cavour  
Tel. ++39 039.20.12.344 r.a. - Fax ++39 039.20.12.612  
E-mail: euromotori@euromotori.it - www.euromotori.it