



Anschaubplatten rechteckig für WINKEL-Rollen und Radiallager

WINKEL-Rollen mit Anschraubplatten sind fertige Systemelemente für schraubbare Verbindungen zwischen Konstruktion und Führungsprofil.

- alle Anschraubplatten mit eingeschweißter WINKEL-Rolle
- axiale Justierung mit Distanzsteckbleche Typ DS
- alle Anschraubplatten in brüniertes Ausführung
- Material: S235 JR

Sonderausführungen auf Anfrage.

CAD Download in 2D/3D unter www.winkel.de

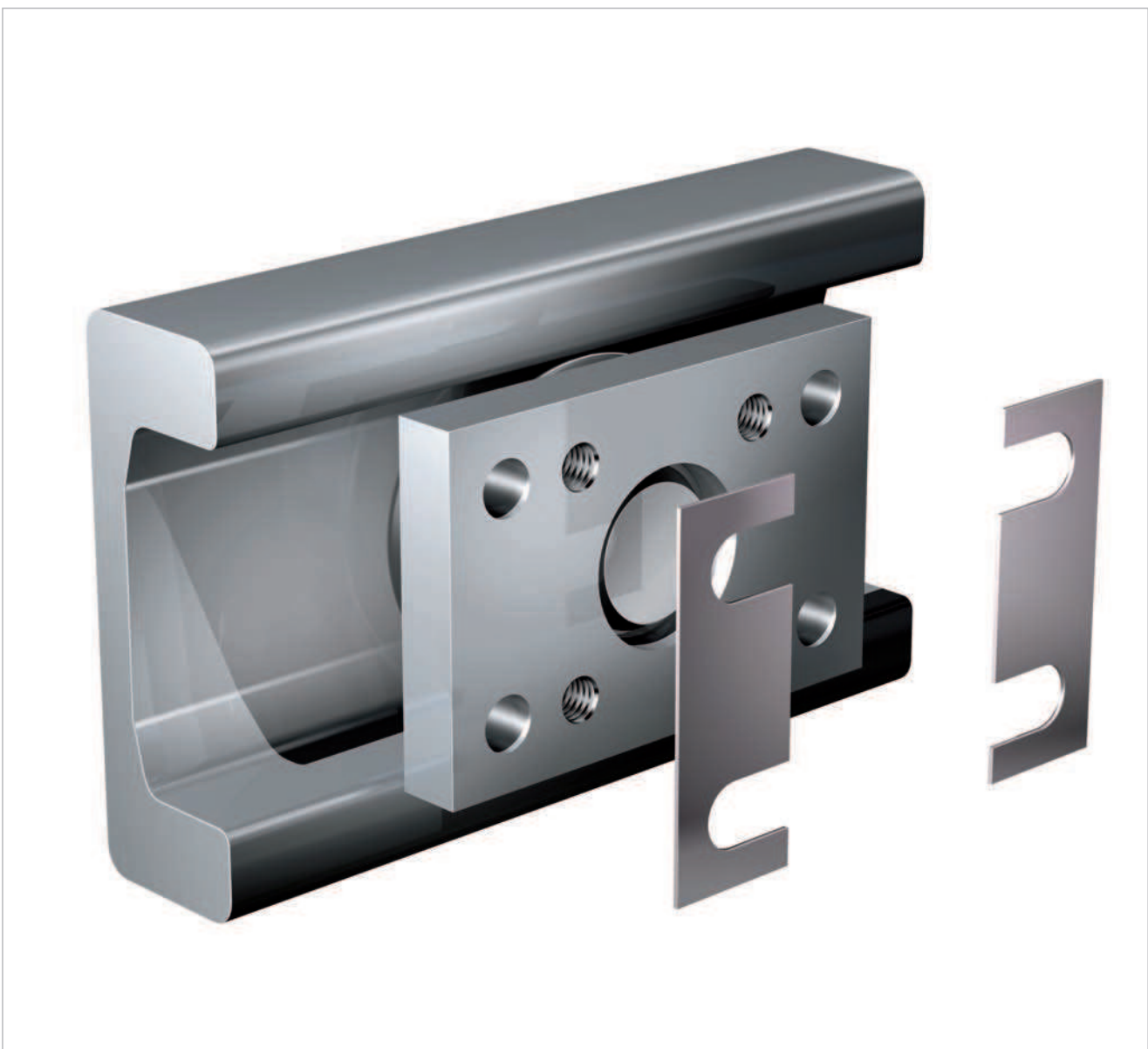
Flange plates rectangular for WINKEL Bearings and Radial Bearings

WINKEL flange plates in combination with WINKEL Bearings are suitable for screw joints between construction and guide profile.

- all flange plates are welded with WINKEL Bearings
- axial adjusting with washers type DS
- all flange plates in corrosion protected version
- material: S235 JR

Special designs on request.

CAD download in 2D/3D at www.winkel.de

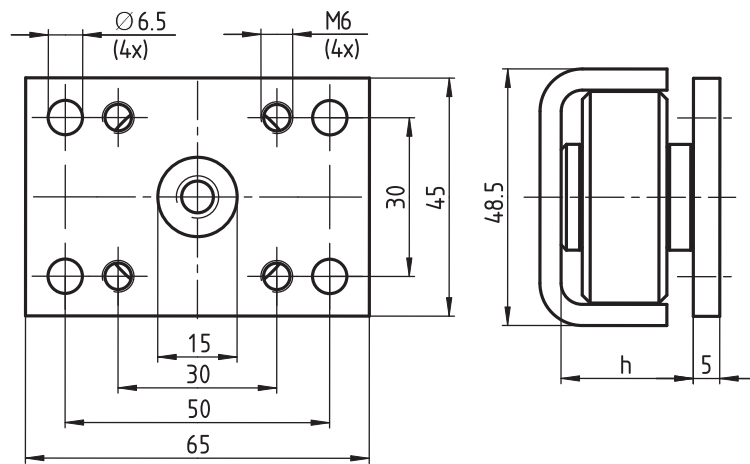


WINKEL-Rollen | WINKEL Bearings



AP A

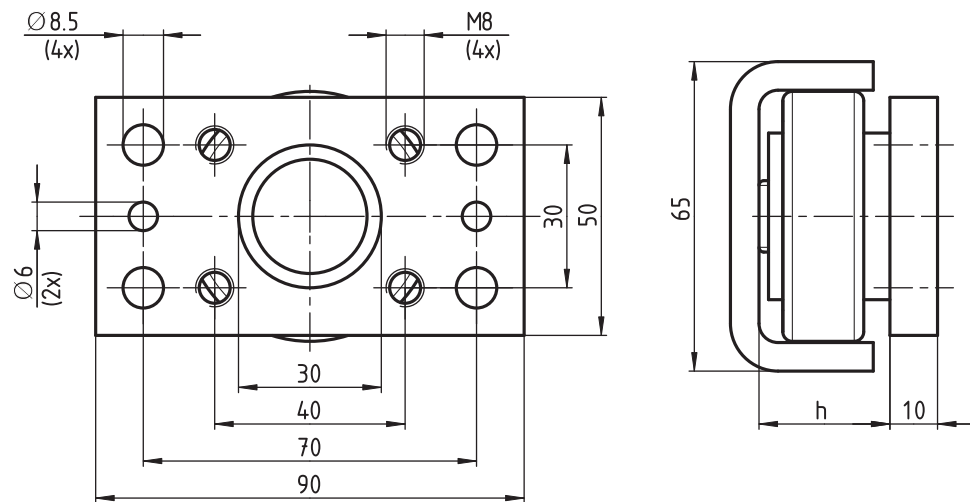
Artikel-Nr. 212.042.000
Article no.



Typ Type	WINKEL-Rolle mit AP WINKEL Bearing with AP	Artikel-Nr. Article no.	Profil Profile	h mm h mm	Gewicht AP Weight AP	Distanzsteckbleche Washers	
AP A	4.052 P + AP A	200.132.000	Standard A	25,0	0,10 kg	DS-A-0,5 238.026.000	DS-A-1,0 238.026.001

AP S

Artikel-Nr. 212.014.000
Article no.

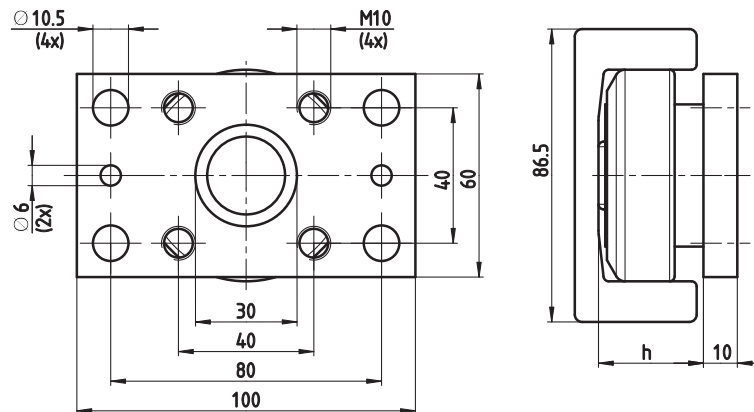


Typ Type	WINKEL-Rolle mit AP WINKEL Bearing with AP	Artikel-Nr. Article no.	Profil Profile	h mm h mm	Gewicht AP Weight AP	Distanzsteckbleche Washer	
AP S	4.053 + AP S	200.071.000	Standard S	27,0	0,25 kg	DS-S-0,5 238.025.000	DS-S-1,0 238.025.001
	4.053 HT + AP S	200.024.012	Standard S	27,0			

WINKEL-Rollen | WINKEL Bearings

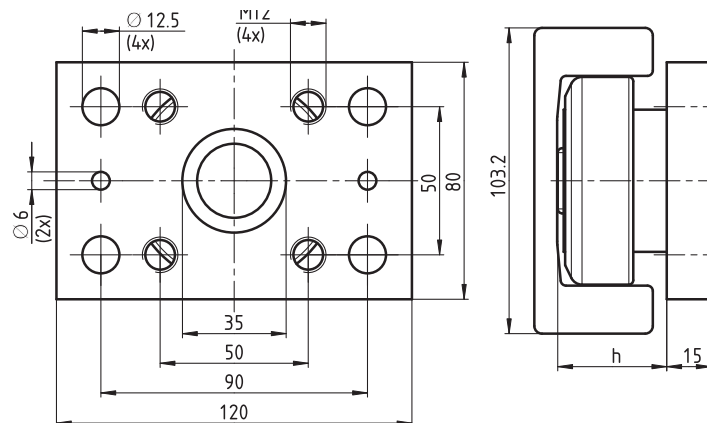


AP 0

 Artikel-Nr. 212.003.000
 Article no.


Typ Type	WINKEL-Rolle mit AP WINKEL Bearing with AP	Artikel-Nr. Article no.	Profil Profile	h mm h mm	Gewicht AP Weight AP	Distanzsteckbleche Washers
AP 0	2.054 + AP 0	205.061.003	Standard 0 NbV	26,5	0,35 kg	DS-0-0,5 DS-0-1,0 238.020.000 238.020.001
	4.054 + AP 0	200.051.000	Standard 0 NbV	30,5		
	4.054 HT + AP 0	200.001.021	Standard 0 NbV	30,5		
	4.454 + AP 0	201.031.001	Standard 0 NbV	30,5 - 32,0		
	4.072 + AP 0	201.011.000	Standard 0 NbV	33,0		
	4.072 P + AP 0	200.149.000	Standard 0 NbV	33,0		
	PR 2.054 + AP 0	205.071.002	PR 0 NbV	26,5		
	PR 4.054 + AP 0	200.100.002	PR 0 NbV	30,5		
	PR 4.454 + AP 0	200.114.001	PR 0 NbV	30,5 - 32,0		
	PR 4.072 + AP 0	200.107.001	PR 0 NbV	33,0		
PR 4.072 P + AP 0	200.011.008	PR 0 NbV	33,0			

AP 1

 Artikel-Nr. 212.004.000
 Article no.


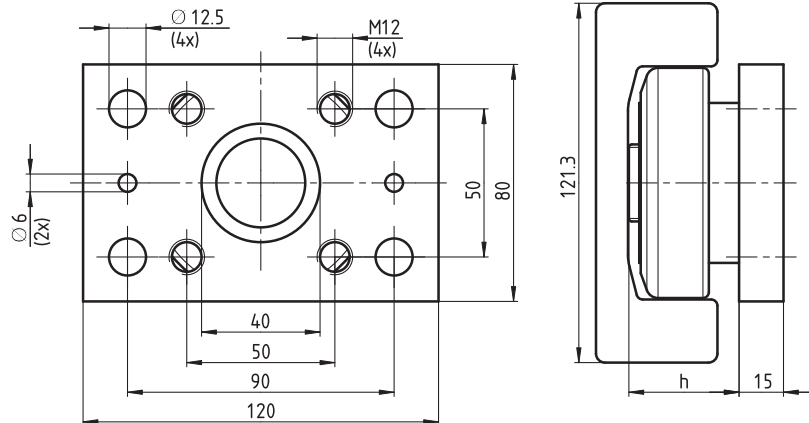
Typ Type	WINKEL-Rolle mit AP WINKEL Bearing with AP	Artikel-Nr. Article no.	Profil Profile	h mm h mm	Gewicht AP Weight AP	Distanzsteckbleche Washers
AP 1	2.055 + AP 1	205.109.000	Standard 1 NbV	34,0	0,90 kg	DS-1-0,5 DS-1-1,0 238.021.000 238.021.001
	4.055 + AP 1	200.052.000	Standard 1 NbV	36,0		
	4.055 HT + AP 1	200.002.021	Standard 1 NbV	36,0		
	4.455 + AP 1	201.032.001	Standard 1 NbV	36,0 - 37,5		
	4.073 + AP 1	200.077.000	Standard 1 NbV	40,0		
	4.073 P + AP 1	200.012.005	Standard 1 NbV	40,0		
	PR 2.055 + AP 1	205.072.001	PR 1 NbV	34,0		
	PR 4.055 + AP 1	200.101.002	PR 1 NbV	36,0		
	PR 4.455 + AP 1	200.115.001	PR 1 NbV	36,0 - 37,5		
	PR 4.073 + AP 1	200.108.001	PR 1 NbV	40,0		
	PR 4.073 P + AP 1	200.014.002	PR 1 NbV	40,0		

WINKEL-Rollen | WINKEL Bearings



AP 2

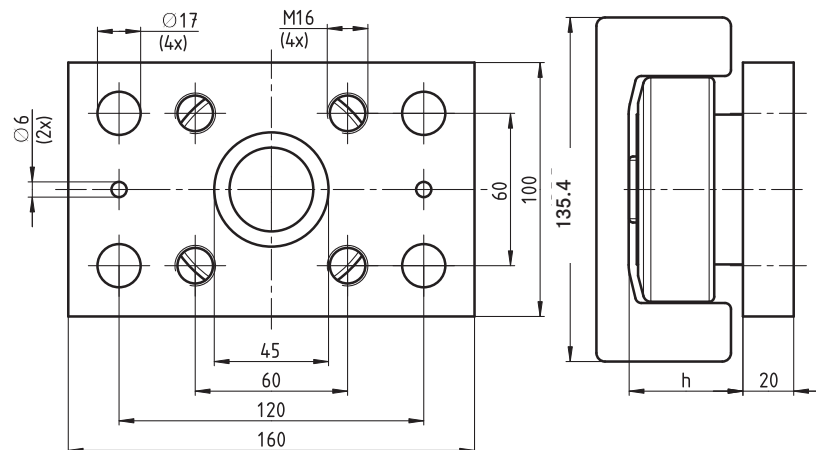
Artikel-Nr. 212.005.000
Article no.



Typ Type	WINKEL-Rolle mit AP WINKEL Bearing with AP	Artikel-Nr. Article no.	Profil Profile	h mm h mm	Gewicht AP Weight AP	Distanzsteckbleche Washers
AP 2	2.056 + AP 2	205.107.000	Standard 2 NbV	34,0	0,85 kg	DS-2-0,5 DS-2-1,0 238.021.000 238.021.001
	4.056 + AP 2	200.053.000	Standard 2 NbV	36,5		
	4.056 HT + AP 2	200.003.021	Standard 2 NbV	36,5		
	4.456 + AP 2	201.033.002	Standard 2 NbV	37,0 - 38,5		
	4.074 + AP 2	200.127.000	Standard 2 NbV	39,5		
	4.074 P + AP 2	200.013.008	Standard 2 NbV	39,5		
	PR 2.056 + AP 2	205.073.002	PR 2 NbV	34,0		
	PR 4.056 + AP 2	200.066.000	PR 2 NbV	36,5		
	PR 4.456 + AP 2	200.116.001	PR 2 NbV	37,0 - 38,5		
	PR 4.074 + AP 2	200.109.002	PR 2 NbV	39,5		
PR 4.074 P + AP 2	200.148.000	PR 2 NbV	39,5			

AP 3.1

Artikel-Nr. 212.006.001
Article no.



Typ Type	WINKEL-Rolle mit AP WINKEL Bearing with AP	Artikel-Nr. Article no.	Profil Profile	h mm h mm	Gewicht AP Weight AP	Distanzsteckbleche Washers
AP 3.1	2.058 + AP 3.1	205.064.004	Standard 3 NbV	41,0	2,35 kg	DS-3.1-0,5 DS-3.1-1,0 238.105.000 238.105.001
	4.058 + AP 3.1	200.054.001	Standard 3 NbV	44,0		
	4.058 HT + AP 3.1	200.005.017	Standard 3 NbV	44,0		
	4.458 + AP 3.1	201.035.002	Standard 3 NbV	44,0 - 45,5		
	4.076 + AP 3.1	201.014.000	Standard 3 NbV	48,0		
	4.076 P + AP 3.1	200.015.009	Standard 3 NbV	48,0		
	PR 2.058 + AP 3.1	205.075.001	PR 3 NbV	41,0		
	PR 4.058 + AP 3.1	200.140.001	PR 3 NbV	44,0		
	PR 4.458 + AP 3.1	200.117.002	PR 3 NbV	44,0 - 45,5		
	PR 4.076 + AP 3.1	200.110.001	PR 3 NbV	48,0		
PR 4.076 P + AP 3.1	200.015.012	PR 3 NbV	48,0			

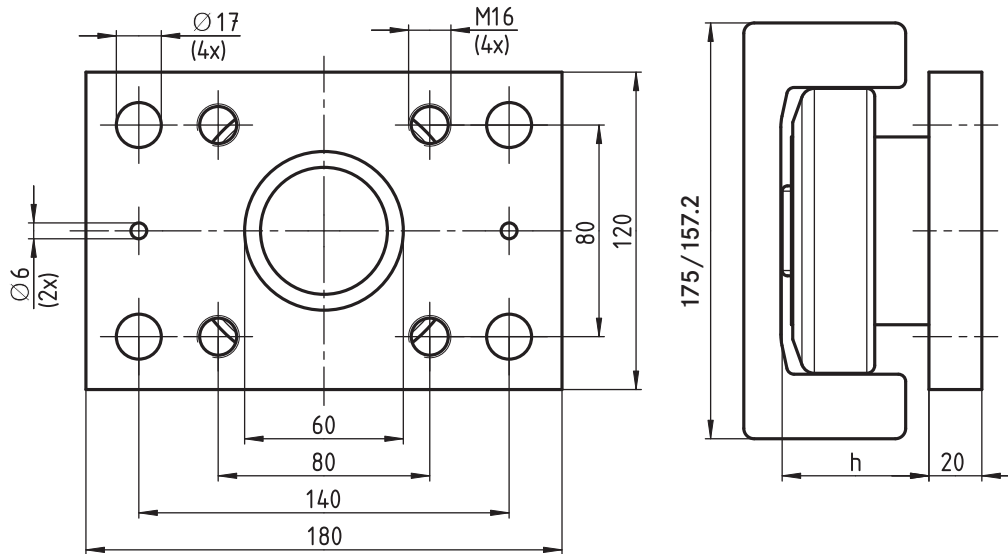
WINKEL-Rollen | WINKEL Bearings



AP 4

Artikel-Nr. 212.007.001

Article no.

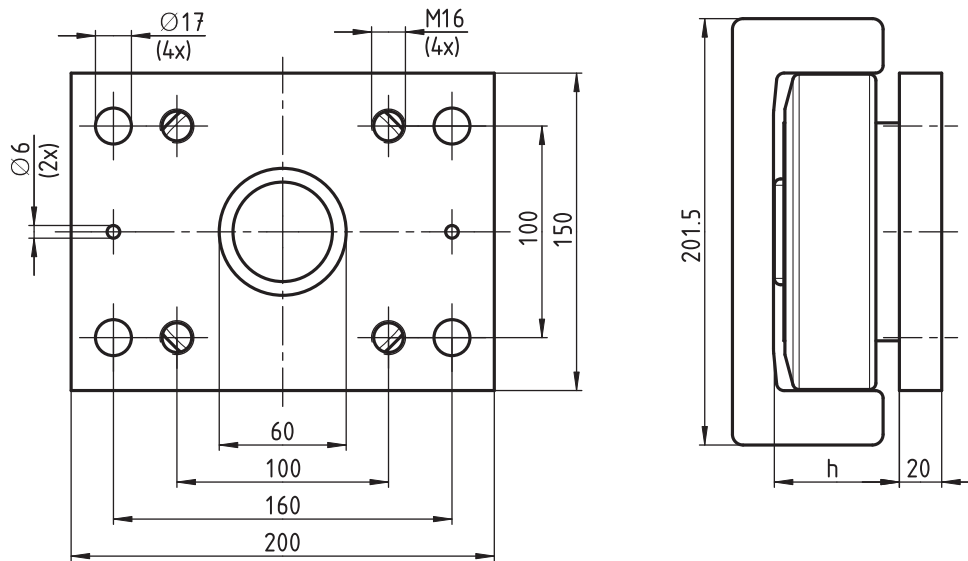


Typ Type	WINKEL-Rolle mit AP WINKEL Bearing with AP	Artikel-Nr. Article no.	Profil Profile	h mm h mm	Gewicht AP Weight AP	Distanzsteckbleche Washers
AP 4	2.061 + AP 4	205.108.000	Standard 4 NbV	51,5	2,65 kg	DS-4-0,5 DS-4-1,0 238.023.000 238.023.001
	4.061 + AP 4	200.055.000	Standard 4 NbV	55,0		
	4.061 HT + AP 4	200.008.009	Standard 4 NbV	55,0		
	4.461 + AP 4	201.038.001	Standard 4 NbV	55,0 - 57,0		
	4.0784 + AP 4	200.016.001	Standard 4 NbV	55,0		
	4.0784 P + AP 4	200.016.004	Standard 4 NbV	55,0		
	PR 2.061 + AP 4	205.075.003	PR 4 NbV	51,5		
	PR 4.061 + AP 4	200.104.001	PR 4 NbV	55,0		
	PR 4.461 + AP 4	200.118.001	PR 4 NbV	55,0 - 57,0		
	PR 4.0784 + AP 4	200.111.001	PR 4 NbV	55,0		
	PR 4.0784 P + AP 4	200.067.003	PR 4 NbV	55,0		
	2.062 + AP 4	205.066.004	Standard 5 NbV	51,5		
	4.062 + AP 4	200.076.000	Standard 5 NbV	56,0		
	4.062 HT + AP 4	200.009.024	Standard 5 NbV	56,0		
	4.462 + AP 4	201.039.001	Standard 5 NbV	56,0 - 60,0		
	4.079 + AP 4	201.015.000	Standard 5 NbV	59,5		
	4.079 P + AP 4	200.018.004	Standard 5 NbV	59,5		
	PR 2.062 + AP 4	205.076.001	PR 5 NbV	51,5		
	PR 4.062 + AP 4	200.105.001	PR 5 NbV	56,0		
	PR 4.462 + AP 4	200.119.001	PR 5 NbV	56,0 - 60,0		
PR 4.079 + AP 4	200.112.001	PR 5 NbV	59,5			
PR 4.079 P + AP 4	200.154.003	PR 5 NbV	59,5			

WINKEL-Rollen | WINKEL Bearings



AP 6

 Artikel-Nr. 212.008.000
 Article no.


Typ Type	WINKEL-Rolle mit AP WINKEL Bearing with AP	Artikel-Nr. Article no.	Profil Profile	h mm h mm	Gewicht AP Weight AP	Distanzsteckbleche Washers
AP 6	2.063 + AP 6	205.067.002	Standard 6 NbV	54,0	4,0 kg	DS-6-0,5 DS-6-1,0 238.024.000 238.024.001
	4.063 + AP 6	200.056.000	Standard 6 NbV	58,5		
	4.063 HT + AP 6	200.010.036	Standard 6 NbV	58,5		
	4.463 + AP 6	201.040.001	Standard 6 NbV	58,5 - 62,5		
	4.080 + AP 6	200.019.003	Standard 6 NbV	69,0		
	4.080 P + AP 6	201.016.000	Standard 6 NbV	62,0		
	PR 2.063 + AP 6	205.077.001	PR 6 NbV	54,0		
	PR 4.063 + AP 6	200.106.002	PR 6 NbV	58,5		
	PR 4.463 + AP 6	200.120.001	PR 6 NbV	58,5 - 62,5		
	PR 4.080 + AP 6	200.113.001	PR 6 NbV	69,0		
	PR 4.080 P + AP 6	200.155.001	PR 6 NbV	62,0		

**NEU**

Anschraubplatten rechteckig mit stirnseitiger Nachschmierung für WINKEL-Rollen und Radiallager

WINKEL-Rollen mit Anschraubplatten sind fertige Systemelemente für schraubbare Verbindungen zwischen Konstruktion und Führungsprofil.

- alle Anschraubplatten mit eingeschweißter WINKEL-Rolle
- axiale Justierung mit Distanzblech Typ DS-LUB
- alle Anschraubplatten in brüniertes Ausführung
- Material: S235 JR
- Lieferung inkl. 1 Schmiernippel M6 x 1, O-Ring sowie 2 Distanzbleche 0,5 mm

Sonderausführungen auf Anfrage.

CAD Download in 2D/3D unter www.winkel.de

NEW

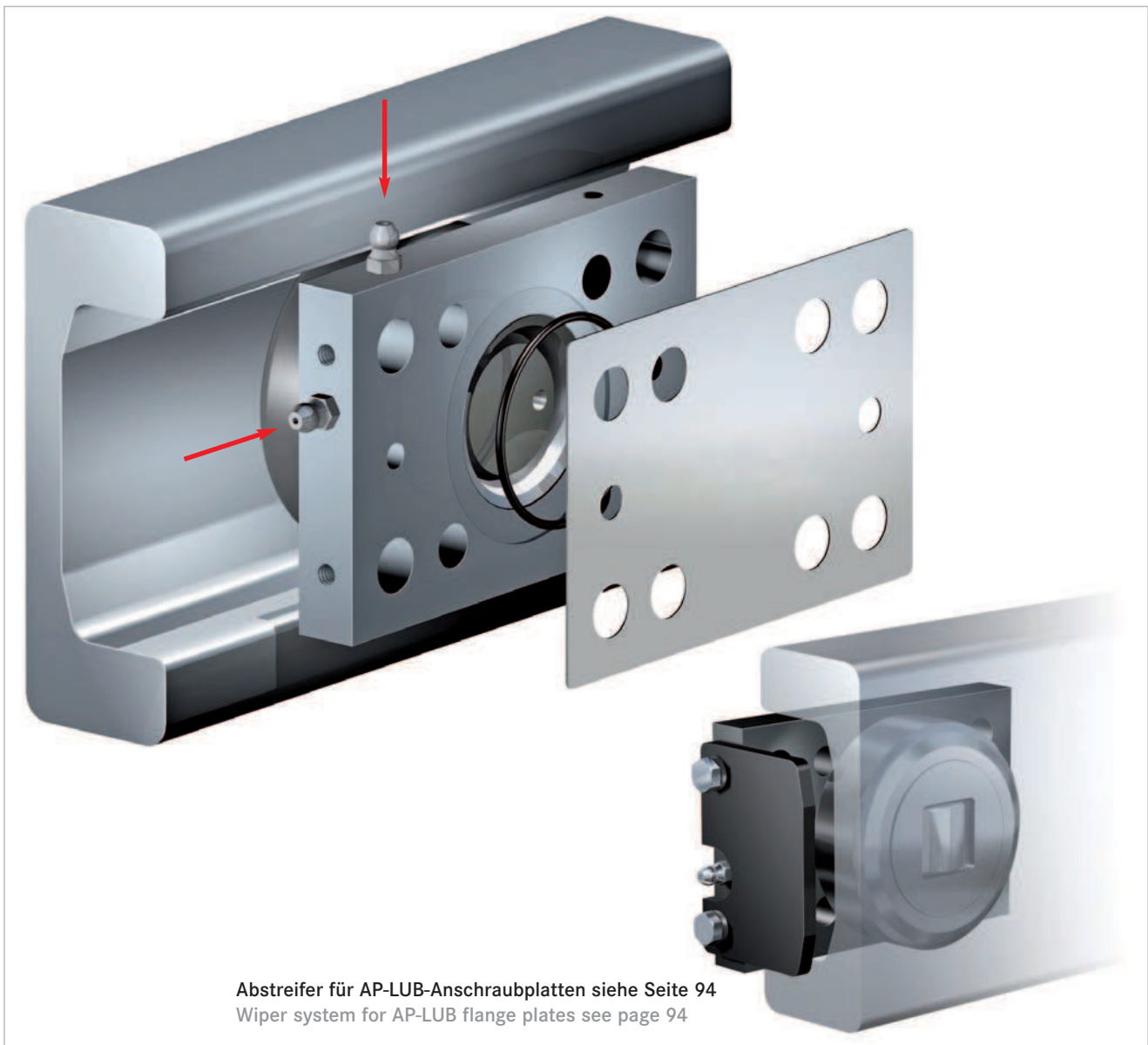
Flange plates rectangular with lubrication access from face side for WINKEL Bearings and Radial Bearings

WINKEL flange plates in combination with WINKEL Bearings are suitable for screw joints between construction and guide profile.

- all flange plates are welded with WINKEL Bearings
- axial adjusting with washer type DS-LUB
- all flange plates in corrosion protected version
- material: S235 JR
- will be delivered 1 pc. grease nipple M6 x 1, O-ring and 2 pcs. washers 0,5 mm

Special designs on request.

CAD download in 2D/3D at www.winkel.de

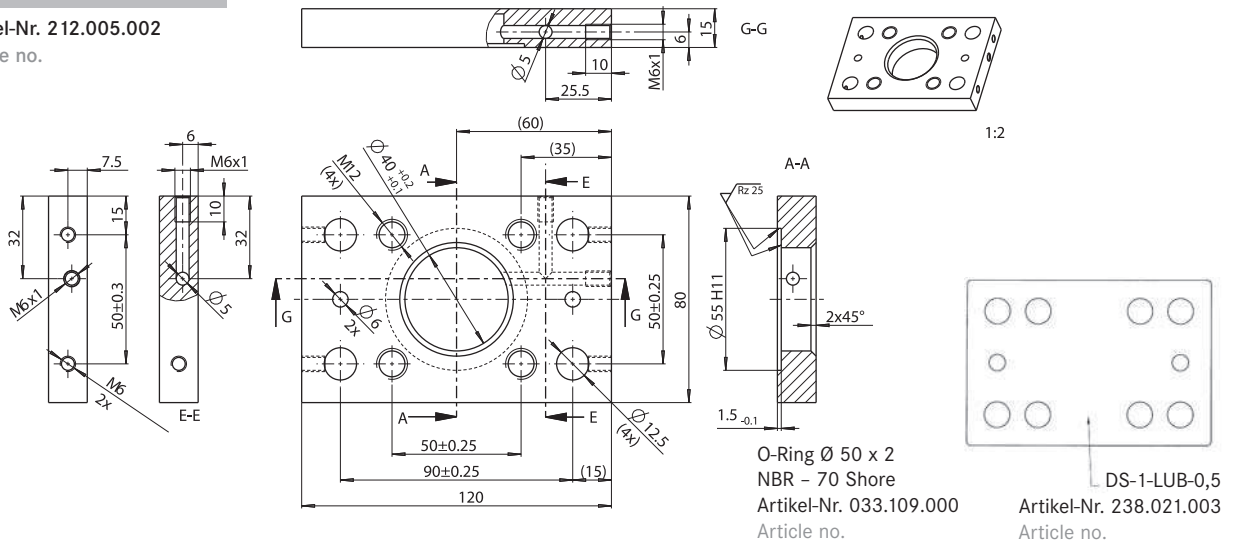


WINKEL-Rollen | WINKEL Bearings



AP 2-LUB

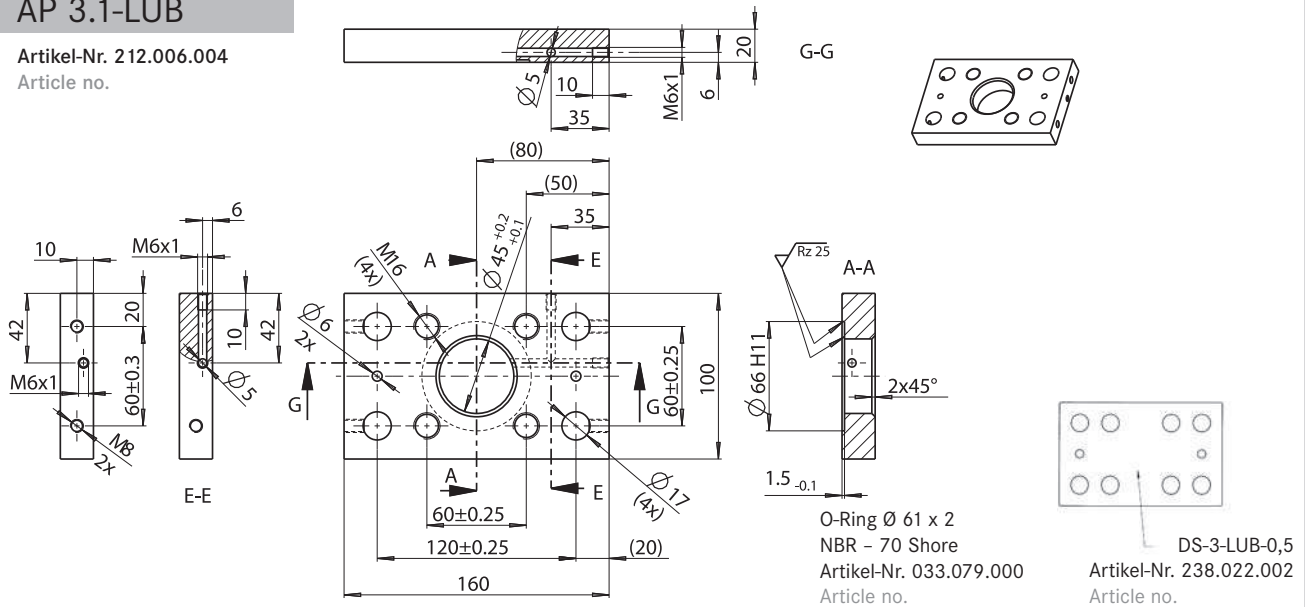
Artikel-Nr. 212.005.002
Article no.



Typ Type	WINKEL-Rolle mit AP WINKEL Bearing with AP	Artikel-Nr. Article no.	Profil Profile	h mm h mm	Gewicht AP Weight AP	Distanzbleche Washers
AP 2-LUB	2.056 + AP 2-LUB	205.063.007	Standard 2 NbV	34,0	0,85 kg	DS-1-LUB-0,5 238.021.003
	4.056 + AP 2-LUB	200.003.027	Standard 2 NbV	36,5		
	PR 2.056 + AP 2-LUB	205.073.005	PR 2 NbV	34,0		
	PR 4.056 + AP 2-LUB	200.102.001	PR 2 NbV	36,5		

AP 3.1-LUB

Artikel-Nr. 212.006.004
Article no.



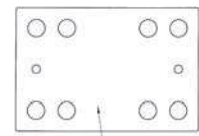
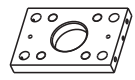
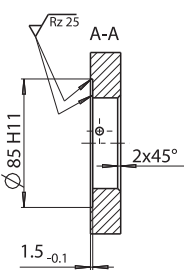
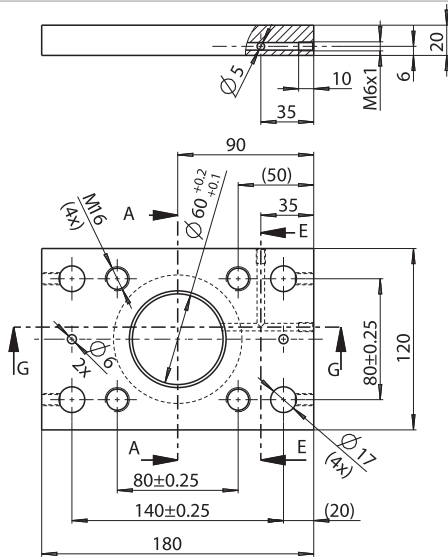
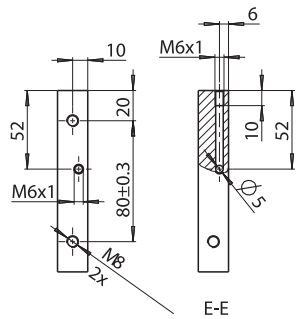
Typ Type	WINKEL-Rolle mit AP WINKEL Bearing with AP	Artikel-Nr. Article no.	Profil Profile	h mm h mm	Gewicht AP Weight AP	Distanzbleche Washers
AP 3.1-LUB	2.058 + AP 3.1-LUB	205.064.010	Standard 3 NbV	41,0	2,35 kg	DS-3-LUB-0,5 238.022.002
	4.058 + AP 3.1-LUB	200.005.025	Standard 3 NbV	44,0		
	PR 2.058 + AP 3.1-LUB	205.074.005	PR 3 NbV	41,0		
	PR 4.058 + AP 3.1-LUB	200.103.002	PR 3 NbV	44,0		

WINKEL-Rollen | WINKEL Bearings



AP 4-LUB

Artikel-Nr. 212.007.004
Article no.

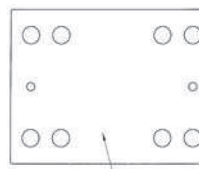
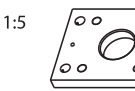
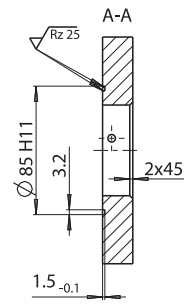
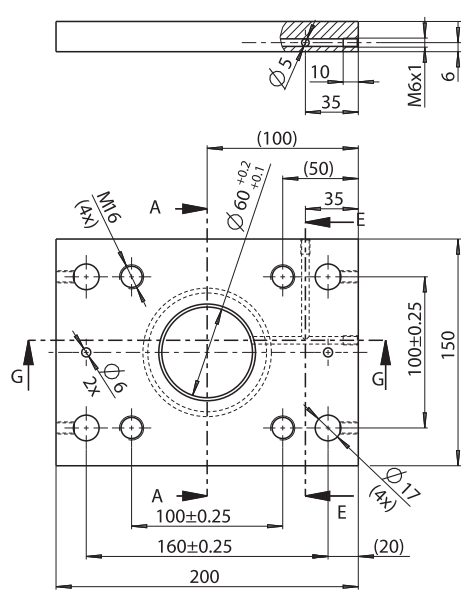
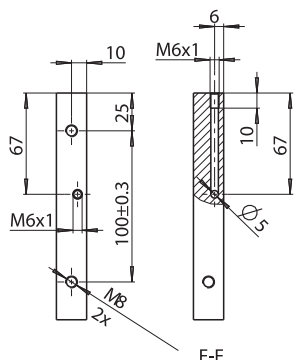


O-Ring Ø 80 x 2
NBR - 70 Shore
Artikel-Nr. 033.080.000
Article no.
DS-4-LUB-0,5
Artikel-Nr. 238.023.004
Article no.

Typ Type	WINKEL-Rolle mit AP WINKEL Bearing with AP	Artikel-Nr. Article no.	Profil Profile	h mm h mm	Gewicht AP Weight AP	Distanzbleche Washers
AP 4-LUB	2.061 + AP 4-LUB	205.065.007	Standard 4 NbV	51,5	2,65 kg	DS-4-LUB-0,5 238.023.004
	4.061 + AP 4-LUB	200.008.017	Standard 4 NbV	55,0		
	PR 2.061 + AP 4-LUB	205.075.005	PR 4 NbV	51,5		
	PR 4.061 + AP 4-LUB	200.104.006	PR 4 NbV	55,0		
	2.062 + AP 4-LUB	205.066.010	Standard 5 NbV	51,5		
	4.062 + AP 4-LUB	200.009.032	Standard 5 NbV	56,0		
	PR 2.062 + AP 4-LUB	205.076.005	PR 5 NbV	51,5		
	PR 4.062 + AP 4-LUB	200.105.007	PR 5 NbV	56,0		

AP 6-LUB

Artikel-Nr. 212.008.009
Article no.



O-Ring Ø 80 x 2
NBR - 70 Shore
Artikel-Nr. 033.080.000
Article no.
DS-6-LUB-0,5
Artikel-Nr. 238.024.002
Article no.

Typ Type	WINKEL-Rolle mit AP WINKEL Bearing with AP	Artikel-Nr. Article no.	Profil Profile	h mm h mm	Gewicht AP Weight AP	Distanzbleche Washers
AP 6-LUB	2.063 + AP 6-LUB	205.067.010	Standard 6 NbV	54,0	4,0 kg	DS-6-LUB-0,5 238.024.002
	4.063 + AP 6-LUB	200.010.048	Standard 6 NbV	58,5		
	PR 2.063 + AP 6-LUB	205.077.004	PR 6 NbV	54,0		
	PR 4.063 + AP 6-LUB	200.106.007	PR 6 NbV	58,5		

**NEU**

Abstreifsystem für Anschraubplatte AP-LUB

Optimaler Schutz für WINKEL-Rollen und Profile. Abstreifsystem verhindert Eindringen von Schmutz und Gegenständen zwischen Rolle und Profil und schützt somit das Führungssystem vor Beschädigungen.

- Passend für Anschraubplatten AP-LUB mit nachschmierbaren WINKEL-Rollen
- Lieferung inkl. Befestigungsschrauben
- In X- und Y-Richtungen einstellbar
- Abmessungen abgestimmt auf das jeweilige WINKEL U-Profil.
- Werkstoff: POLYAMID

CAD Download in 2D/3D unter www.winkel.de

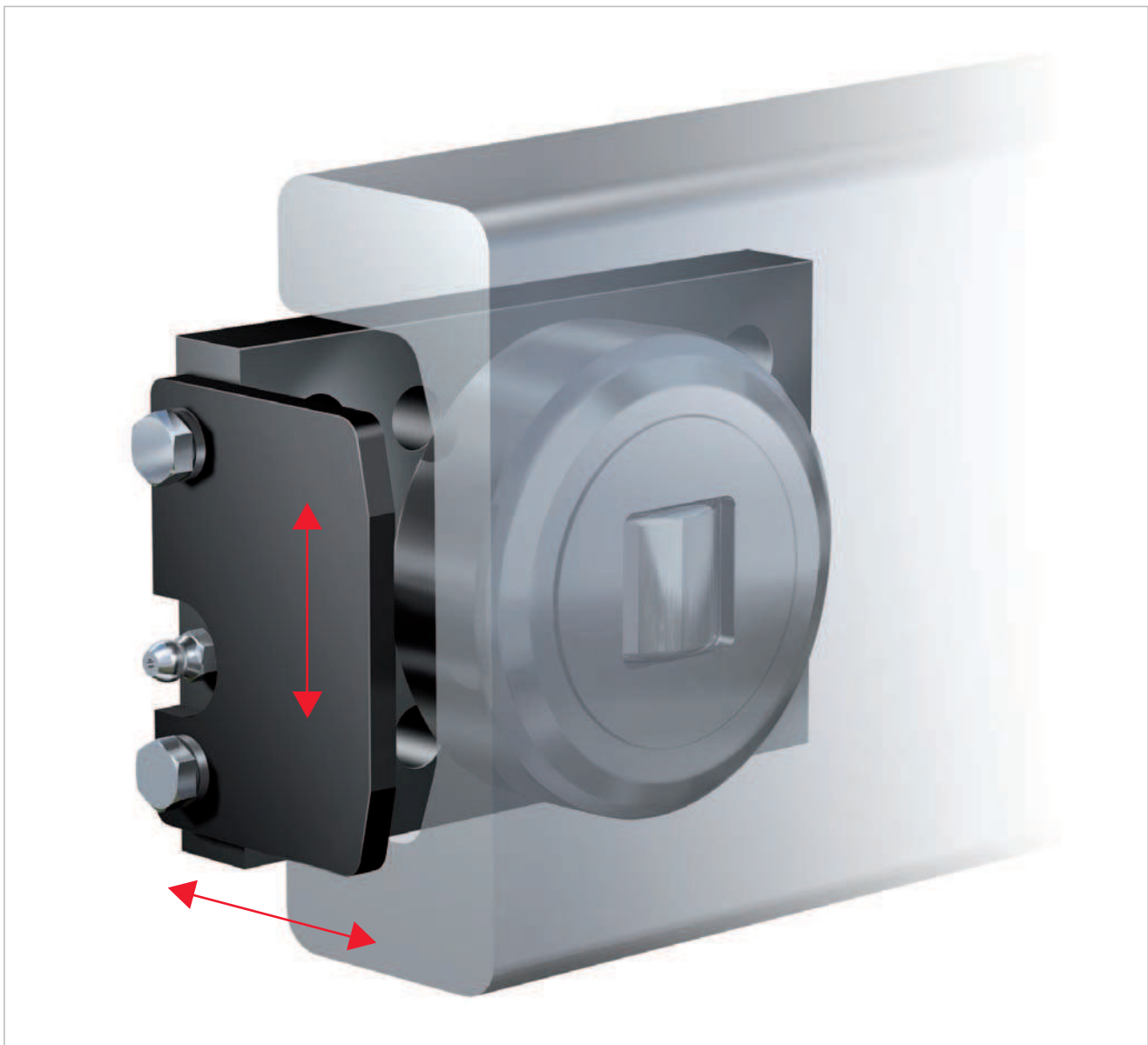
NEW

Wiper system for flange plate AP-LUB

Best protection for WINKEL Bearings and profiles. The wiper system prevent contamination of dust and debris between bearing and rail.

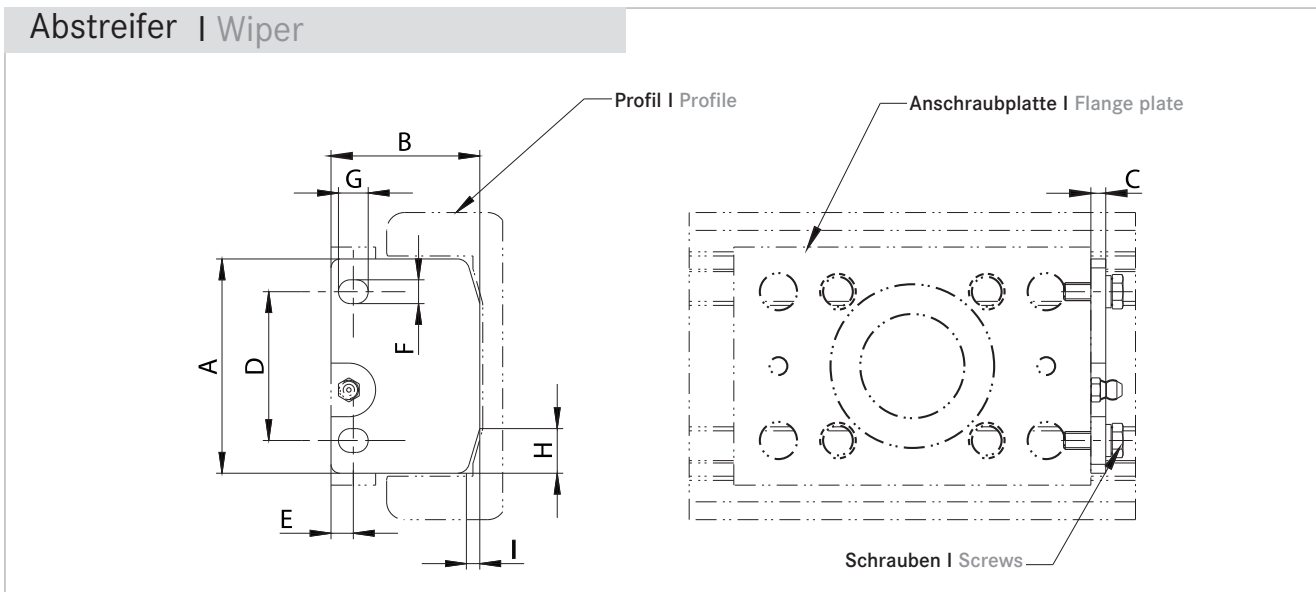
- Suitable for flange plate AP-LUB with relubricateable WINKEL Bearings
- Fastening screws included
- Adjustable in X and Y direction
- Dimensions suitable for the respective WINKEL U profile
- Material: POLYAMIDE

CAD download in 2D/3D at www.winkel.de





Abstreifer | Wiper

Abstreifer für Standardprofile
Wiper for Standard profiles

Typ Type	Artikelnummer Article no.	A	B	C	D	E	F	G	H	I	Anschraubplatte Flange plate	Profil Profile	Schrauben Screws
AS 4.054-LUB	212.510.000	61	40,0	5	38	7,5	7	10	14	3	AP 0-LUB	Std 0 NbV	2x M6 x 16-DIN 603
AS 4.055-LUB	212.510.001	69	50,0	5	50	7,5	8	10	14	5	AP 1-LUB	Std 1 NbV	2x M6 x 16-DIN 603
AS 4.056-LUB	212.510.002	77	50,5	5	50	7,5	8	10	14	5	AP 2-LUB	Std 2 NbV	2x M6 x 16-DIN 603
AS 4.058-LUB	212.510.003	88	63,0	5	60	10	10	15	14	5	AP 3.1-LUB	Std 3 NbV	2x M8 x 16-DIN 603
AS 4.061-LUB	212.510.004	105	73,0	5	80	10	12	15	14	5	AP 4-LUB	Std 4 NbV	2x M8 x 16-DIN 603
AS 4.062-LUB	212.510.005	120	74,0	5	80	10	12	15	14	5	AP 4-LUB	Std 5 NbV	2x M8 x 16-DIN 603
AS 4.063-LUB	212.510.006	146	76,5	5	100	10	12	15	19	5	AP 6-LUB	Std 6 NbV	2x M8 x 16-DIN 603

Abstreifer für Präzisionsprofile
Wiper for Precision profiles

Typ Type	Artikelnummer Article no.	A	B	C	D	E	F	G	H	I	Anschraubplatte Flange plate	Profil Profile	Schrauben Screws
AS PR 4.054-LUB	212.511.000	63	40,0	5	38	7,5	7	10	15	4	AP 0-LUB	PR 0 NbV	2x M6 x 16-DIN 603
AS PR 4.055-LUB	212.511.001	72	50,0	5	50	7,5	8	10	15	4,5	AP 1-LUB	PR 1 NbV	2x M6 x 16-DIN 603
AS PR 4.056-LUB	212.511.002	80	50,5	5	50	7,5	8	10	15	7	AP 2-LUB	PR 2 NbV	2x M6 x 16-DIN 603
AS PR 4.058-LUB	212.511.003	91	63,0	5	60	10	10	15	15	7	AP 3.1-LUB	PR 3 NbV	2x M8 x 16-DIN 603
AS PR 4.061-LUB	212.511.004	108	73,0	5	80	10	12	15	15	7	AP 4-LUB	PR 4 NbV	2x M8 x 16-DIN 603
AS PR 4.062-LUB	212.511.005	124	74,0	5	80	10	12	15	14	7	AP 4-LUB	PR 5 NbV	2x M8 x 16-DIN 603
AS PR 4.063-LUB	212.511.006	150	76,5	5	100	10	12	15	19	7	AP 6-LUB	PR 6 NbV	2x M8 x 16-DIN 603



Anschaubplatten quadratisch für WINKEL-Rollen und Radiallager

WINKEL-Rollen mit Anschraubplatten sind fertige Systemelemente für schraubbare Verbindungen zwischen Konstruktion und Führungsprofil.

- alle Anschraubplatten mit eingeschweißter WINKEL-Rolle
- axiale Justierung mit Distanzsteckbleche Typ DS
- alle Anschraubplatten in brüniertem Ausführung
- Material: S235 JR

Sonderausführungen auf Anfrage.

Flange plates square for WINKEL Bearings and Radial Bearings

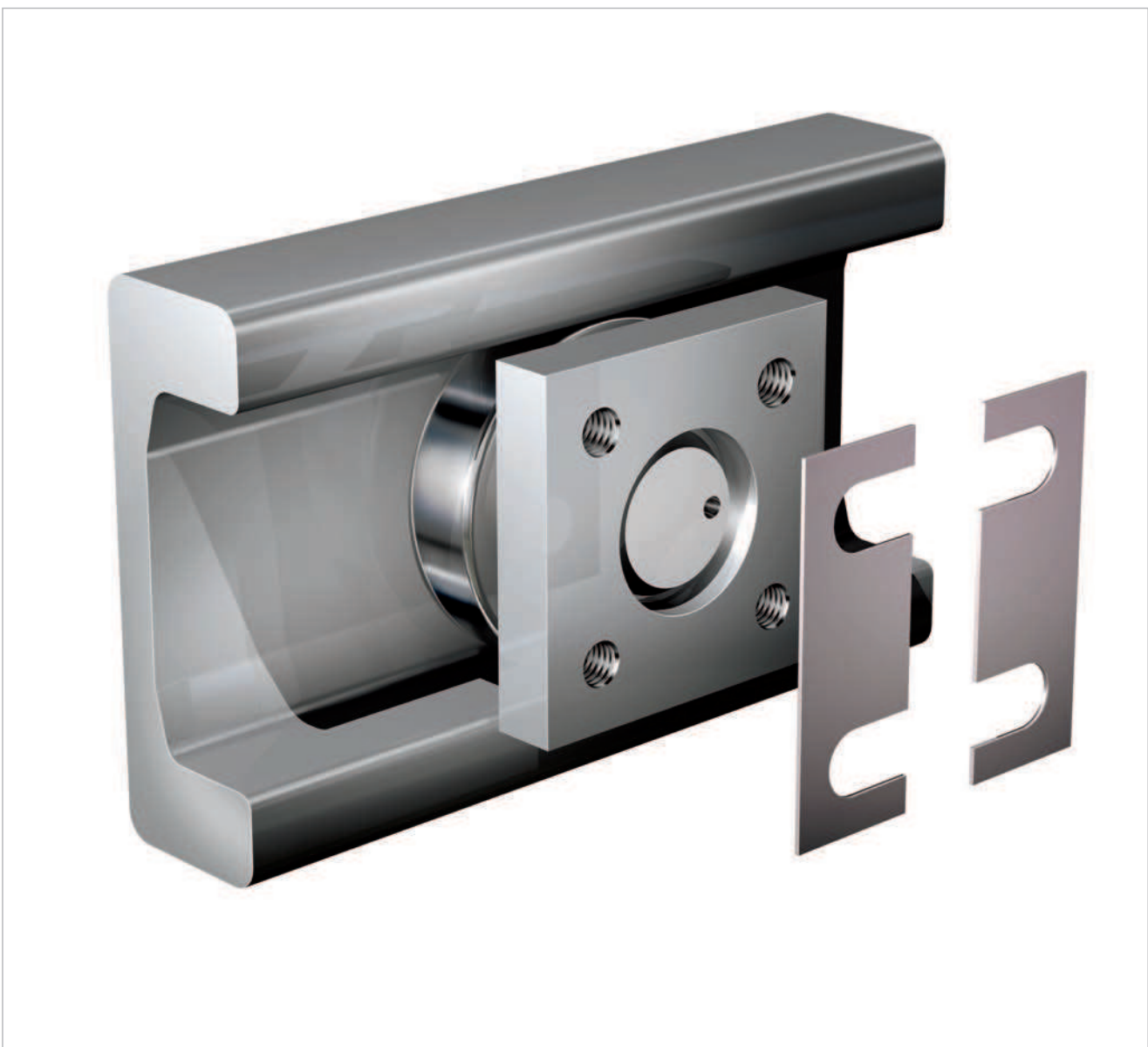
WINKEL flange plates in combination with WINKEL Bearings are suitable for screw joints between construction and guide profile.

- all flange plates are welded with WINKEL Bearings
- axial adjusting with washers type DS
- all flange plates in corrosion protected version
- material S235 JR

Special designs on request.

CAD Download in 2D/3D unter www.winkel.de

CAD download in 2D/3D at www.winkel.de

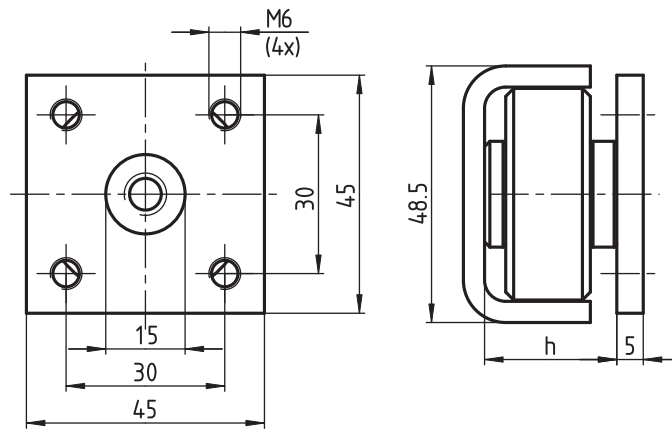


WINKEL-Rollen | WINKEL Bearings



AP A-Q

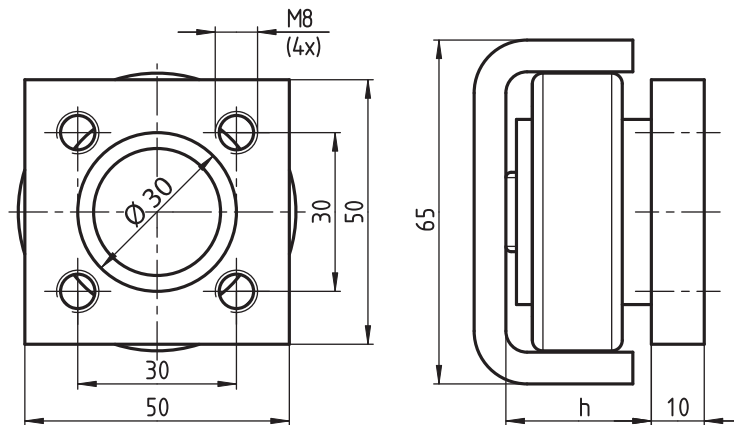
Artikel-Nr. 212.200.101
Article no.



Typ Type	WINKEL-Rolle mit AP WINKEL Bearing with AP	Artikel-Nr. Article no.	Profil Profile	h mm h mm	Gewicht AP Weight AP	Distanzsteckbleche Washers	
AP A-Q	4.052 P + AP A-Q	201.032.003	Standard A	25,0	0,10 kg	DS-A-0,5 238.026.000	DS-A-1,0 238.026.001

AP S-Q

Artikel-Nr. 212.200.102
Article no.



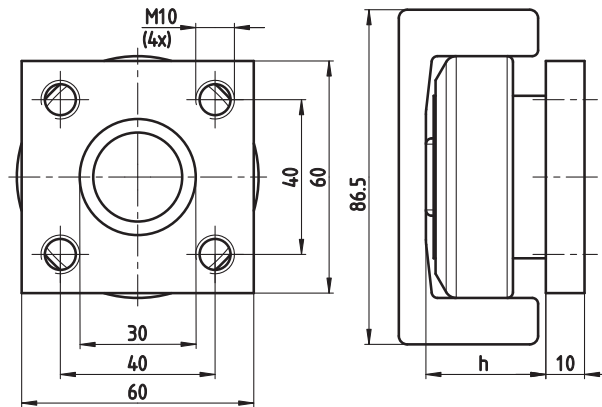
Typ Type	WINKEL-Rolle mit AP WINKEL Bearing with AP	Artikel-Nr. Article no.	Profil Profile	h mm h mm	Gewicht AP Weight AP	Distanzsteckbleche Washers	
AP S-Q	4.053 + AP S-Q	200.071.001	Standard S	27,0	0,20 kg	DS-S-0,5 238.025.000	DS-S-1,0 238.025.001
	4.053 HT + AP S-Q	200.024.019	Standard S	27,0			

WINKEL-Rollen | WINKEL Bearings



AP 0-Q

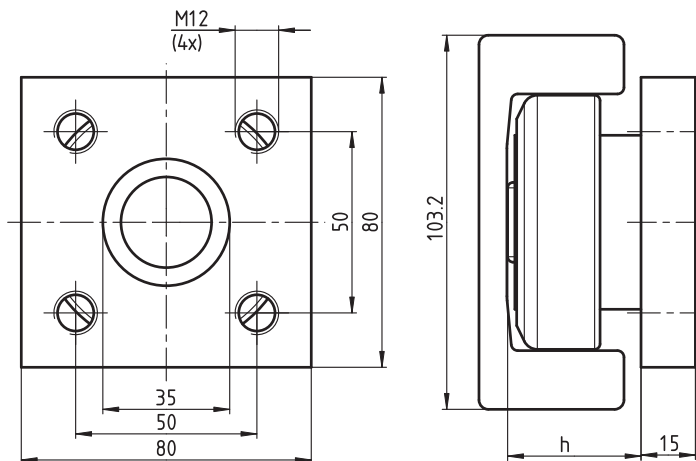
Artikel-Nr. 212.200.010
Article no.



Typ Type	WINKEL-Rolle mit AP WINKEL Bearing with AP	Artikel-Nr. Article no.	Profil Profile	h mm h mm	Gewicht AP Weight AP	Distanzsteckbleche Washers
AP 0-Q	2.054 + AP 0-Q	205.061.004	Standard 0 NbV	26,5	0,28 kg	DS-0-0,5 DS-0-1,0 238.020.000 238.020.001
	4.054 + AP 0-Q	200.051.003	Standard 0 NbV	30,5		
	4.054 HT + AP 0-Q	200.001.022	Standard 0 NbV	30,5		
	4.454 + AP 0-Q	201.031.002	Standard 0 NbV	30,5 - 32,0		
	4.072 + AP 0-Q	201.011.002	Standard 0 NbV	33,0		
	4.072 P + AP 0-Q	200.149.001	Standard 0 NbV	33,0		
	PR 2.054 + AP 0-Q	205.071.003	PR 0 NbV	26,5		
	PR 4.054 + AP 0-Q	200.100.003	PR 0 NbV	30,5		
	PR 4.454 + AP 0-Q	200.114.002	PR 0 NbV	30,5 - 32,0		
	PR 4.072 + AP 0-Q	200.107.001	PR 0 NbV	33,0		
PR 4.072 P + AP 0-Q	200.011.007	PR 0 NbV	33,0			

AP 1-Q

Artikel-Nr. 212.200.011
Article no.



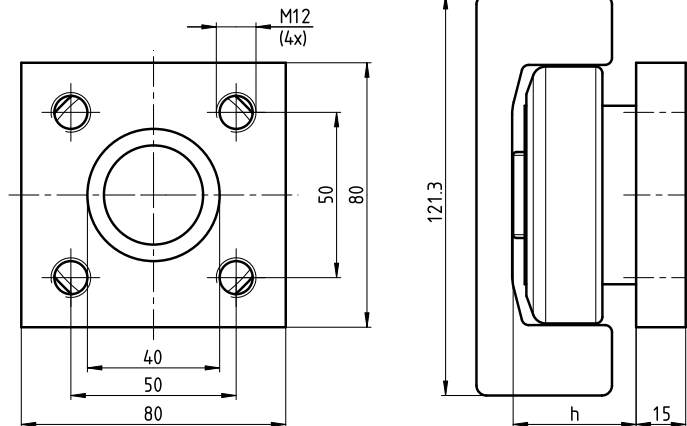
Typ Type	WINKEL-Rolle mit AP WINKEL Bearing with AP	Artikel-Nr. Article no.	Profil Profile	h mm h mm	Gewicht AP Weight AP	Distanzsteckbleche Washers
AP 1-Q	2.055 + AP 1-Q	205.062.004	Standard 1 NbV	34,0	0,75 kg	DS-1-0,5 DS-1-1,0 238.021.000 238.021.001
	4.055 + AP 1-Q	200.052.001	Standard 1 NbV	36,0		
	4.055 HT + AP 1-Q	200.002.007	Standard 1 NbV	36,0		
	4.455 + AP 1-Q	201.032.002	Standard 1 NbV	36,0 - 37,5		
	4.073 + AP 1-Q	201.012.000	Standard 1 NbV	40,0		
	4.073 P + AP 1-Q	200.012.006	Standard 1 NbV	40,0		
	PR 2.055 + AP 1-Q	205.072.002	PR 1 NbV	34,0		
	PR 4.055 + AP 1-Q	200.101.003	PR 1 NbV	36,0		
	PR 4.455 + AP 1-Q	200.115.002	PR 1 NbV	36,0 - 37,5		
	PR 4.073 + AP 1-Q	200.108.002	PR 1 NbV	40,0		
PR 4.073 P + AP 1-Q	200.014.003	PR 1 NbV	40,0			

WINKEL-Rollen | WINKEL Bearings



AP 2-Q

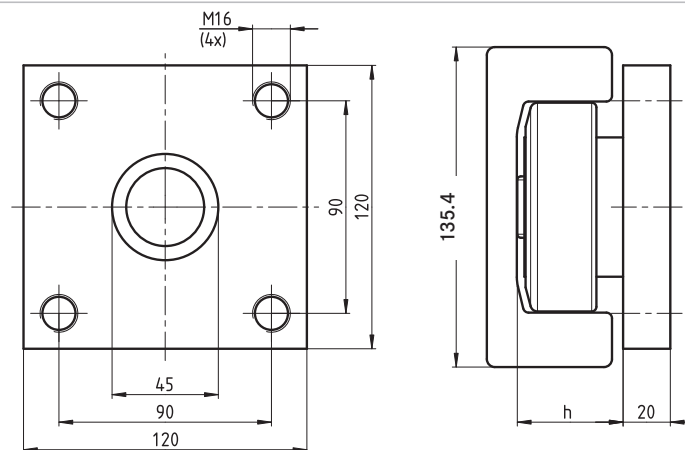
Artikel-Nr. 212.200.012
Article no.



Typ Type	WINKEL-Rolle mit AP WINKEL Bearing with AP	Artikel-Nr. Article no.	Profil Profile	h mm h mm	Gewicht AP Weight AP	Distanzsteckbleche Washers
AP 2-Q	2.056 + AP 2-Q	205 .107 .001	Standard 2 NbV	34,0	0,75 kg	DS-2-0,5 DS-2-1,0 238.021.000 238.021.001
	4.056 + AP 2-Q	200 .053.001	Standard 2 NbV	36,5		
	4.056 HT + AP 2-Q	200 .003.022	Standard 2 NbV	36,5		
	4.456 + AP 2-Q	201 .033.003	Standard 2 NbV	37,0 - 38,5		
	4.074 + AP 2-Q	201 .013 .000	Standard 2 NbV	39,5		
	4.074 P + AP 2-Q	200 .013 .009	Standard 2 NbV	39,5		
	PR 2.056 + AP 2-Q	205 .073.003	PR 2 NbV	34,0		
	PR 4.056 + AP 2-Q	200 .066.001	PR 2 NbV	36,5		
	PR 4.456 + AP 2-Q	200 .116 .002	PR 2 NbV	37,0 - 38,5		
	PR 4.074 + AP 2-Q	200 .109 .003	PR 2 NbV	39,5		
PR 4.074 P + AP 2-Q	200 .013 .035	PR 2 NbV	39,5			

AP 3-Q

Artikel-Nr. 212.006.000
Article no.



Typ Type	WINKEL-Rolle mit AP WINKEL Bearing with AP	Artikel-Nr. Article no.	Profil Profile	h mm h mm	Gewicht AP Weight AP	Distanzsteckbleche Washers
AP 3-Q	2.058 + AP 3-Q	205 .064.003	Standard 3 NbV	41,0	1,85 kg	DS-3-0,5 DS-3-1,0 238.022.000 238.022.001
	4.058 + AP 3-Q	200 .054.000	Standard 3 NbV	44,0		
	4.058 HT + AP 3-Q	200 .005.018	Standard 3 NbV	44,0		
	4.458 + AP 3-Q	201 .035.003	Standard 3 NbV	44,0 - 45,5		
	4.076 + AP 3-Q	201 .017 .000	Standard 3 NbV	48,0		
	4.076 P + AP 3-Q	200 .015 .010	Standard 3 NbV	48,0		
	PR 2.058 + AP 3-Q	205 .074 .001	PR 3 NbV	41,0		
	PR 4.058 + AP 3-Q	200 .140 .000	PR 3 NbV	44,0		
	PR 4.458 + AP 3-Q	200 .117 .003	PR 3 NbV	44,0 - 45,5		
	PR 4.076 + AP 3-Q	200 .110 .002	PR 3 NbV	48,0		
PR 4.076 P + AP 3-Q	200 .015 .011	PR 3 NbV	48,0			

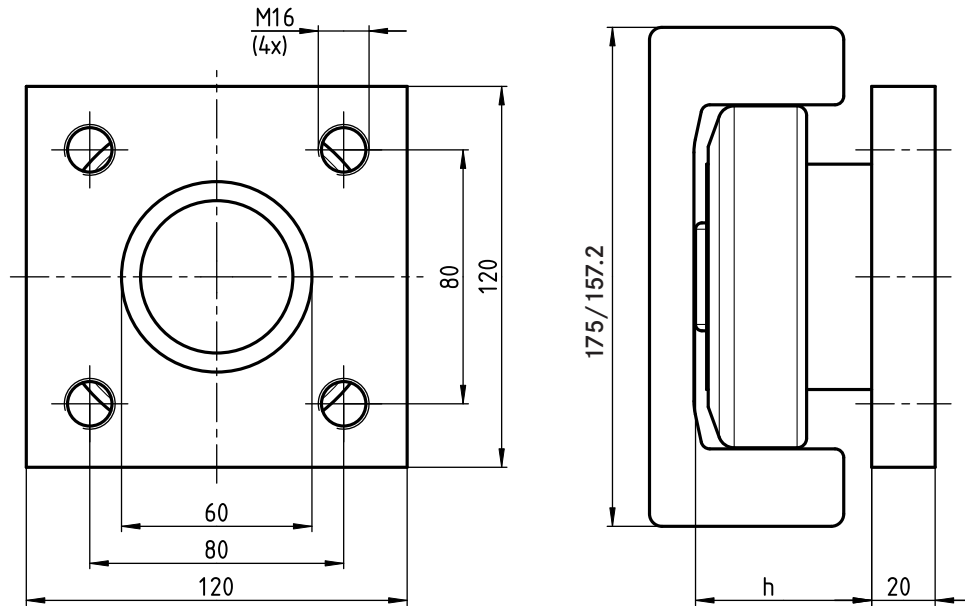
WINKEL-Rollen | WINKEL Bearings



AP 4-Q

Artikel-Nr. 212.200.014

Article no.



Typ Type	WINKEL-Rolle mit AP WINKEL Bearing with AP	Artikel-Nr. Article no.	Profil Profile	h mm h mm	Gewicht AP Weight AP	Distanzsteckbleche Washers
AP 4-Q	2.061 + AP 4-Q	205.108.001	Standard 4 NbV	51,5	2,2 kg	DS-4-0,5 DS-4-1,0 238.023.000 238.023.001
	4.061 + AP 4-Q	200.055.001	Standard 4 NbV	55,0		
	4.061 HT + AP 4-Q	200.008.010	Standard 4 NbV	55,0		
	4.461 + AP 4-Q	201.038.002	Standard 4 NbV	55,0 - 57,0		
	4.0784 + AP 4-Q	200.016.003	Standard 4 NbV	55,0		
	4.0784 P + AP 4-Q	200.016.011	Standard 4 NbV	55,0		
	PR 2.061 + AP 4-Q	205.075.002	PR 4 NbV	51,5		
	PR 4.061 + AP 4-Q	200.104.002	PR 4 NbV	55,0		
	PR 4.461 + AP 4-Q	200.118.002	PR 4 NbV	55,0 - 57,0		
	PR 4.0784 + AP 4-Q	200.111.002	PR 4 NbV	55,0		
	PR 4.0784 P + AP 4-Q	200.067.002	PR 4 NbV	55,0		
	2.062 + AP 4-Q	205.066.002	Standard 5 NbV	51,5		
	4.062 + AP 4-Q	200.076.001	Standard 5 NbV	56,0		
	4.062 HT + AP 4-Q	200.009.025	Standard 5 NbV	56,0		
	4.462 + AP 4-Q	201.039.002	Standard 5 NbV	56,0 - 60,0		
	4.079 + AP 4-Q	201.015.001	Standard 5 NbV	59,5		
	4.079 P + AP 4-Q	200.018.005	Standard 5 NbV	59,5		
	PR 2.062 + AP 4-Q	205.076.002	PR 5 NbV	51,5		
	PR 4.062 + AP 4-Q	200.105.002	PR 5 NbV	56,0		
	PR 4.462 + AP 4-Q	200.119.002	PR 5 NbV	56,0 - 60,0		
PR 4.079 + AP 4-Q	200.112.002	PR 5 NbV	59,5			
PR 4.079 P + AP 4-Q	200.154.002	PR 5 NbV	59,5			

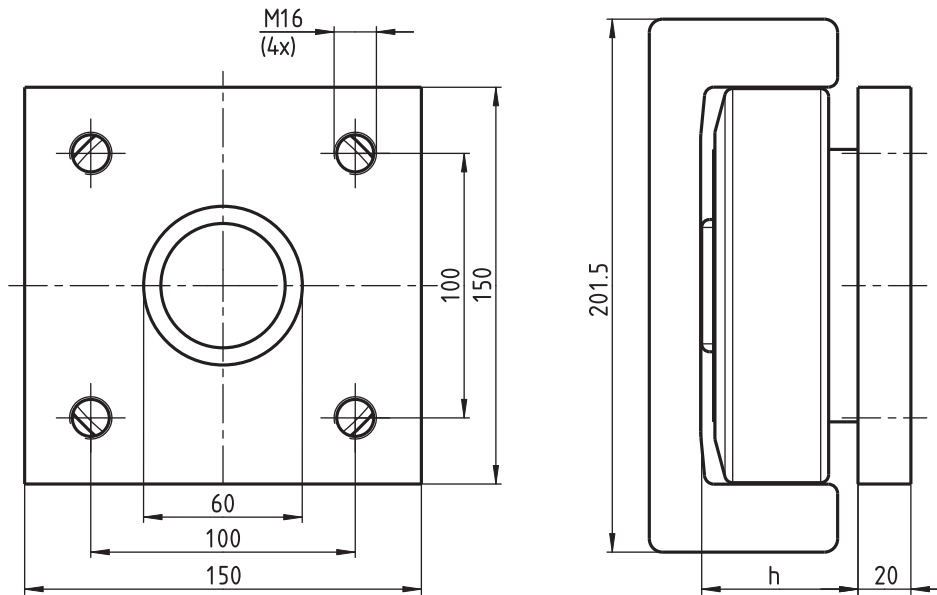
WINKEL-Rollen | WINKEL Bearings



AP 6-Q

Artikel-Nr. 212.200.016

Article no.



Typ Type	WINKEL-Rolle mit AP WINKEL Bearing with AP	Artikel-Nr. Article no.	Profil Profile	h mm h mm	Gewicht AP Weight AP	Distanzsteckbleche Washers
AP 6-Q	2.063 + AP 6-Q	205.067.003	Standard 6 NbV	54,0	3,4 kg	DS-6-0,5 DS-6-1,0 238.024.000 238.024.001
	4.063 + AP 6-Q	200.056.001	Standard 6 NbV	58,5		
	4.063 HT + AP 6-Q	200.010.037	Standard 6 NbV	58,5		
	4.463 + AP 6-Q	201.040.002	Standard 6 NbV	58,5 - 62,5		
	4.080 + AP 6-Q	200.019.004	Standard 6 NbV	69,0		
	4.080 P + AP 6-Q	201.016.001	Standard 6 NbV	62,0		
	PR 2.063 + AP 6-Q	205.077.002	PR 6 NbV	54,0		
	PR 4.063 + AP 6-Q	200.106.003	PR 6 NbV	58,5		
	PR 4.463 + AP 6-Q	200.120.002	PR 6 NbV	58,5 - 62,5		
	PR 4.080 + AP 6-Q	200.113.002	PR 6 NbV	69,0		
PR 4.080 P + AP 6-Q	200.155.002	PR 6 NbV	62,0			



Anschaubplatten quadratisch für Jumbo-WINKEL-Rollen

WINKEL-Rollen mit Anschraubplatten sind fertige Systemelemente für schraubbare Verbindungen zwischen Konstruktion und Führungsprofil.

- alle Anschraubplatten mit eingeschweißter WINKEL-Rolle
- Axiale Justierung mit Distanzsteckbleche Typ DS
- alle Anschraubplatten in brüniertem Ausführung
- Material: S235 JR

Sonderausführungen auf Anfrage.

CAD Download in 2D/3D unter www.winkel.de

Flange plates square for Jumbo WINKEL Bearings

WINKEL flange plates in combination with WINKEL Bearings are suitable for screw joints between construction and guide profile.

- all flange plates are welded with WINKEL Bearings
- axial adjusting with washers type DS
- all flange plates in corrosion protected version
- material: S235 JR

Special designs on request.

CAD download in 2D/3D at www.winkel.de

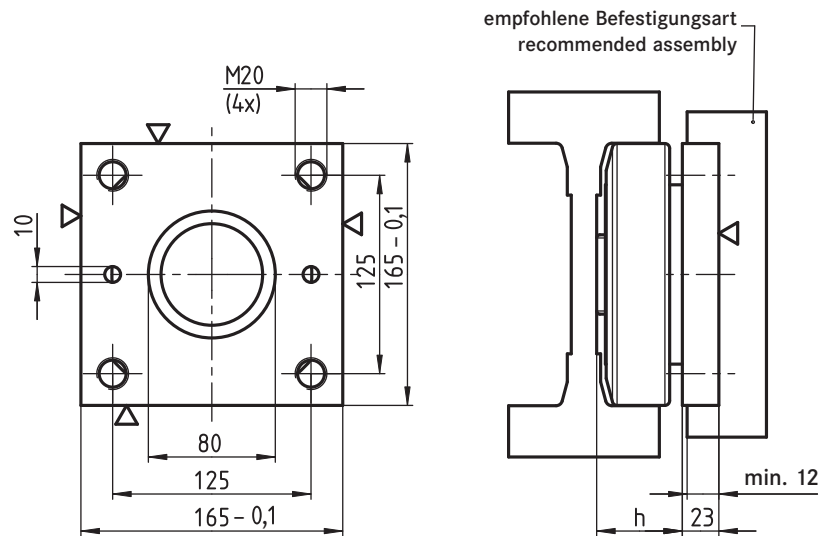


WINKEL-Rollen | WINKEL Bearings



AP 89-Q

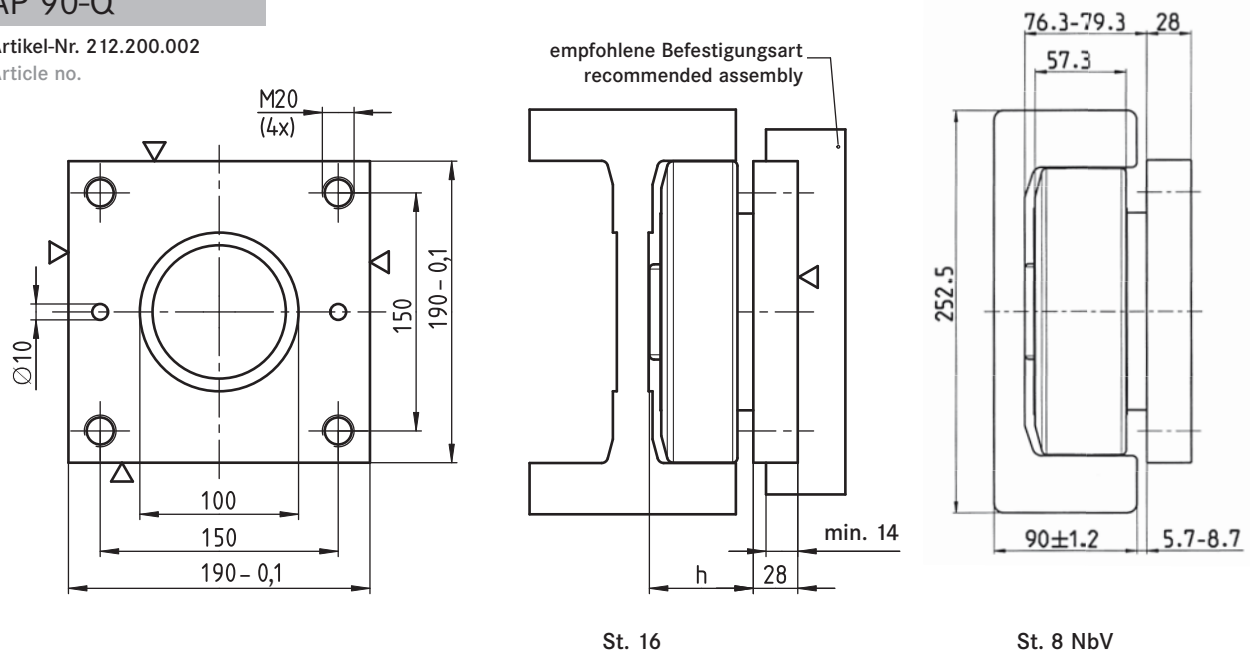
Artikel-Nr. 212.200.001
Article no.



Typ Type	WINKEL-Rolle mit AP WINKEL Bearing with AP	Artikel-Nr. Article no.	Profil Profile	h mm h mm	Gewicht AP Weight AP	Distanzsteckbleche Washers	
AP 89-Q	4.089 + AP 89-Q	201.050.002	Standard 10	53-56	4,9 kg	DS-89-0,5 238.033.000	DS-89-1,0 238.033.001

AP 90-Q

Artikel-Nr. 212.200.002
Article no.

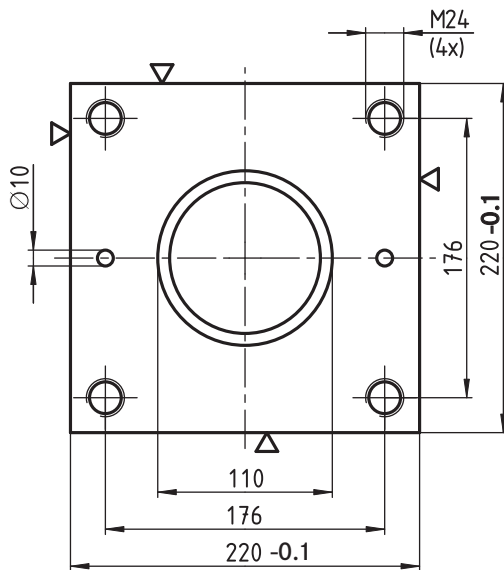
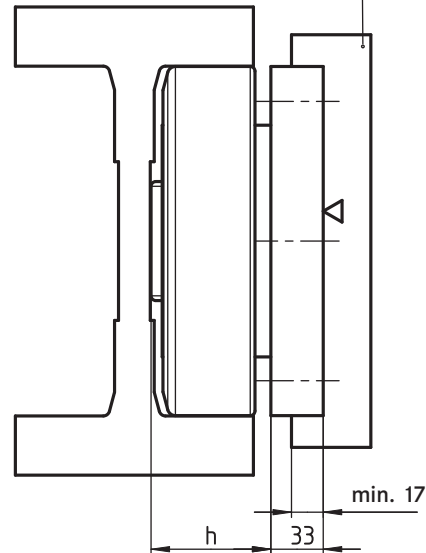


Typ Type	WINKEL-Rolle mit AP WINKEL Bearing with AP	Artikel-Nr. Article no.	Profil Profile	h mm h mm	Gewicht AP Weight AP	Distanzsteckbleche Washers	
AP 90-Q	4.085 + AP 90-Q	201.049.004	Standard 8 NbV	76,3-79,3	7,9	DS-90-0,5 238.034.000	DS-90-1,0 238.034.001
	4.090 + AP 90-Q	200.057.000	Standard 16	64,5-67,5	7,9		

WINKEL-Rollen | WINKEL Bearings

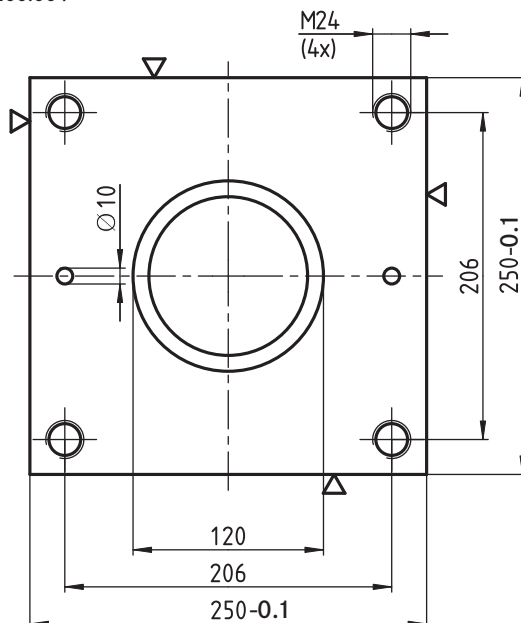
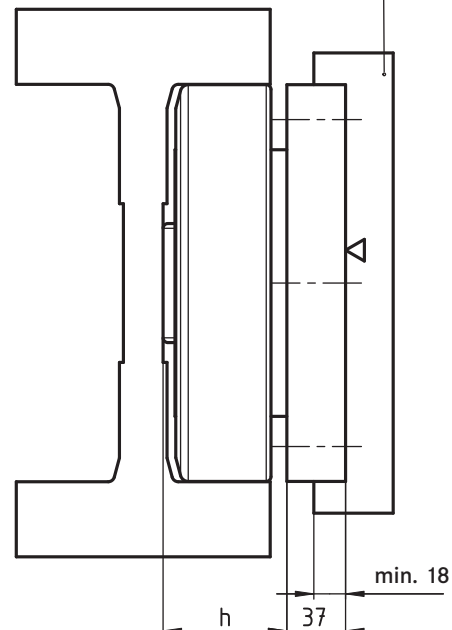


AP 91-Q

 Artikel-Nr. 212.200.003
 Article no.

 empfohlene Befestigungsart
 recommended assembly


Typ Type	WINKEL-Rolle mit AP WINKEL Bearing with AP	Artikel-Nr. Article no.	Profil Profile	h mm h mm	Gewicht AP Weight AP	Distanzsteckbleche Washers	
AP 91-Q	4.091 + AP 91-Q	201.052.002	Standard 18	74,5-77,5	12,5 kg	DS-91-0,5 238.035.000	DS-91-1,0 238.035.001

AP 92-Q

 Artikel-Nr. 212.200.004
 Article no.

 empfohlene Befestigungsart
 recommended assembly


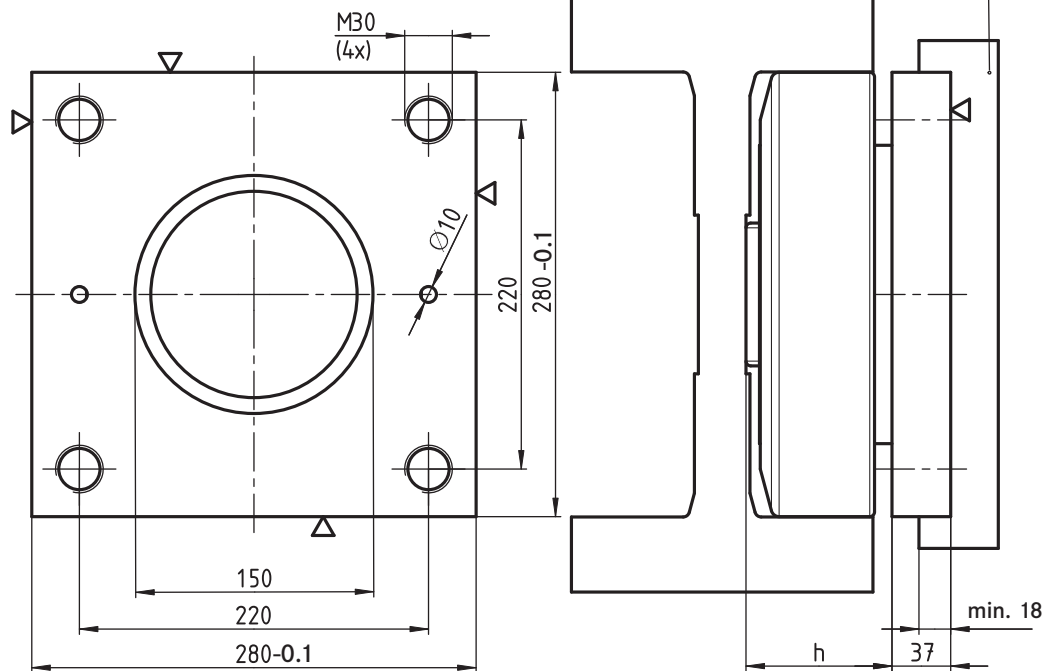
Typ Type	WINKEL-Rolle mit AP WINKEL Bearing with AP	Artikel-Nr. Article no.	Profil Profile	h mm h mm	Gewicht AP Weight AP	Distanzsteckbleche Washers	
AP 92-Q	4.092 + AP 92-Q	201.053.001	Standard 28	77-80	18,0 kg	DS-92-0,5 238.036.000	DS-92-1,0 238.036.001

WINKEL-Rollen | WINKEL Bearings



AP 93-Q

Artikel-Nr. 212.200.005
Article no.



Typ Type	WINKEL-Rolle mit AP WINKEL Bearing with AP	Artikel-Nr. Article no.	Profil Profile	h mm h mm	Gewicht AP Weight AP	Distanzsteckbleche Washers	
AP 93-Q	4.093 + AP 93 Q	201.054.001	Standard 36 Standard 42	89,5- 93,5	22,0	DS-93-0,5	DS-93-1,0
	4.094 + AP 93 Q	201.055.001	Standard 50	110,0 - 114,0		238.037.000	238.037.001