

IR IFPDs IFM Series

55" / 65" / 75" / 86"

Resolution: 3840x2160 (UHD)
 Brightness: 400 cd/m² (65": 350 cd/m²)
 Touch Points: 10 Points Multi Touch
 Touch Technology: IR Touch
 Interface: HDMI 2.0 / VGA / USB /
 RS232 / RJ45 / RJ12 for sensors / IR /
 HP / Audio / Speaker

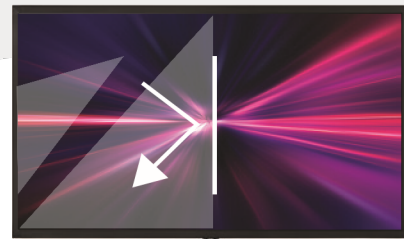


Designed with LED touch screen technology, the Vestel Interactive Flat Panel Display is a dynamic and engaging solution for both education and business environments. Encouraging interactive communication, its technology facilitates learning as well as information sharing.



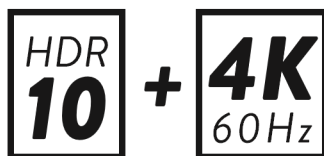
Collaborate, Annotate with Octopus

Octopus software gives opportunity to view lessons, respond, share annotations, and take notes using any tablet or laptop, pose questions and gain immediate participant feedback, displaying results instantly.



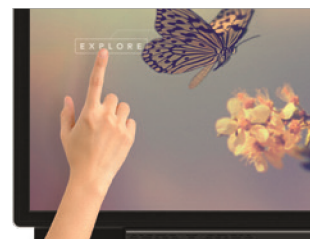
Anti Glare Tempered Glass

Prevents light reflection and provides smooth touch performance with antiglare technology. Robust design with toughened glass material to avoid any damage to the screen



HDR10 & 4K HDMI @60Hz

By HDR10 compatibility, teachers can guarantee that all featured content meets HDR guidelines and reaches superior picture quality as clearly and brightly as possible with 4K resolution at 60Hz.



Simultaneous Smooth writing Multi - Touch

10 touch points let multiple people interact simultaneously via touch or stylus pen. Also Highly precise and user-friendly writing experience can be achieved without finger burn with super glide surface.

IR IFPDs IFM Series

1. HDMI OUT
2. HDMI IN 1
3. HP
4. IR IN
5. HDMI IN 2
6. HDMI IN 3
7. HDMI IN 4
8. Optical SPDIF
9. RJ12-Sensors
10. RJ12
11. AUDIO IN L/R
12. DSUB9-RS232
13. VGA
14. RJ45
15. USB 2
16. USB 1



KEY SERIES FEATURES

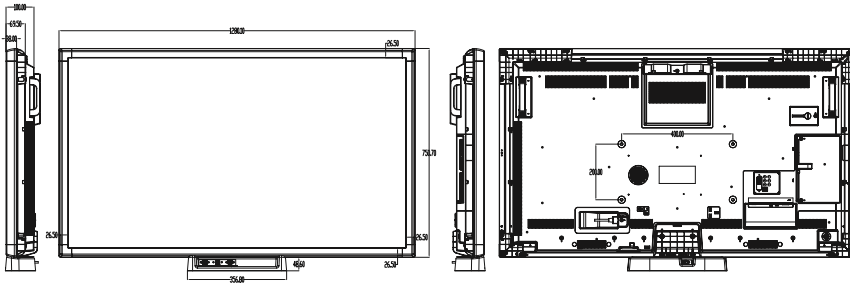
- 4K HDMI @60Hz
- Built-in Connectivity
- Built-in WiFi
- Built-in Bluetooth
- Sensor Compatibility
- OPS Support
- 10-Point Multi Touch
- Button Lock
- RCU Lock
- Menu Lock
- Boot-up Picture
- Daisychain
- HDMI Wakeup
- HDMI Switching
- HDMI CEC
- HDMI Auto-Switch
- SoC CMS
- HTML5 API Support
- Display Control
- Usb Auto-Play
- USB Secure Cover
- Carrying Handles
- Detachable Logo
- Detachable Power Cord
- OSD Rotation
- Pixel Shifting
- Signal Failover
- Input Search
- Device ID
- Display Lifetime
- Serial Number
- Software Upgrade
- Start Url
- OPS Status
- OPS Power Control
- Power-up Mode
- Power on Delay
- Auto-Launch
- Scheduler
- Brightness Scheduling
- USB Cloning
- USB Operations
- USB Information
- USB Safe Eject
- Volume Limit
- Startup Volume
- Headphone Volume

IFM Series

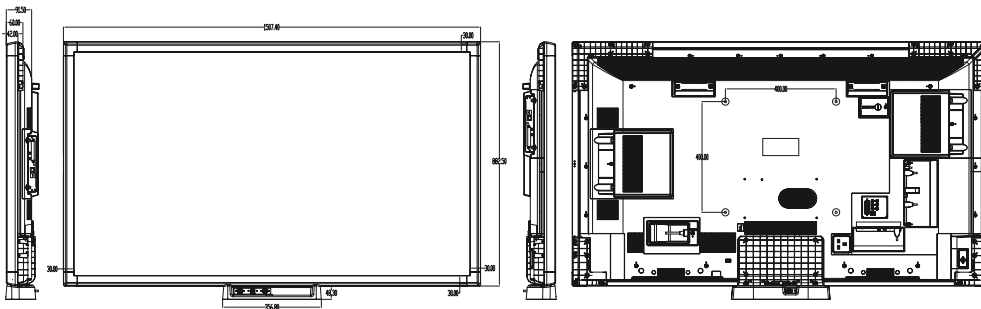
	IFM55TH652/4	IFM65TH752/4	IFM75TH653/4	IFM86TH650B/4
Panel				
Screen Size	55"	65"	75"	86"
Backlight Type	Direct-Type LED	Direct-Type LED	Direct-Type LED	Edge-Type LED
Brightness (typical)	400 cd/m ²	350 cd/m ²	400 cd/m ²	400 cd/m ²
Native Resolution	3840 x 2160 (16:9) - UHD	3840 x 2160 (16:9) - UHD	3840 x 2160 (16:9) - UHD	3840 x 2160 (16:9) - UHD
Contrast Ratio (typical)	1300:1	1200:1	1200:1	1200:1
Dynamic Contrast Ratio	40000:1	35000:1	40000:1	50000:1
Panel Life Time (Min.)	30000 Hr	30000 Hrs	30000 Hrs	30000 Hrs
Response Time (typical)	6 ms	9 ms	8 ms	8 ms
Active Area (H x V)	1210 x 681 mm	1428 x 804 mm	1650 x 928 mm	1907 x 1076 mm
Viewing Angle	178° Vert., 178° Hor. (89U/89D/89L/89R) @ CR>10	178° Vert., 178° Hor. (89U/89D/89L/89R) @ CR>10	178° Vert., 178° Hor. (89U/89D/89L/89R) @ CR>10	178° Vert., 178° Hor. (89U/89D/89L/89R) @ CR>10
Color Value	16.7 M (8-bit)	1.07 B (10-bit)	1.07 B (10-bit)	1.07 B (10-bit)
Screen Treatment	2H	2H	2H	2H
Haze Level	3%	3%	3%	3%
Refresh Rate	60 Hz	60 Hz	60 Hz	120 Hz
Front Type	Black Super Narrow Bezel	Black Super Narrow Bezel	Touch Bezel Type	Black Touch Bezel Type
Orientation	Horizontal	Horizontal	Horizontal	Horizontal
Operation Hours	16/7	16/7	16/7 Panel	16/7
Area of Usage	Indoor	Indoor	Indoor	Indoor
Mainboard				
Mainboard Model	17MB135VS	17MB135VS	17MB135VS	17MB135VS
Monitor Connectivity				
RGB Input	VGA(DE-15F)	VGA(DE-15F)	VGA(DE-15F)	VGA(DE-15F)
RGB Output	N/A	N/A	N/A	N/A
Video Input	4xHDMI2.0, 2xUSB2.0, USB2.0(Internal)	4xHDMI2.0, 2xUSB2.0, USB2.0(Internal)	4xHDMI2.0, 2xUSB2.0, USB2.0(Internal)	4xHDMI2.0, 2xUSB2.0, USB2.0(Internal)
Video Output	HDMI2.0	HDMI2.0	HDMI2.0	HDMI2.0
Audio Input	Line In L/R	Line In L/R	Line In L/R	Line In L/R
Audio Output	Headphone, Optic SPDIF	Headphone, Optic SPDIF	Headphone, Optic SPDIF	Headphone, Optic SPDIF
External Control	RS232(DE-9F), Ethernet(RJ45), Service(RJ12)	RS232(DE-9F), Ethernet(RJ45), Service(RJ12)	RS232(DE-9F), Ethernet(RJ45), Service(RJ12)	RS232(DE-9F), Ethernet(RJ45), Service(RJ12)
External Sensor	RJ12	RJ12	RJ12	RJ12
Touch Technology				
Type of Touch Technology	Infrared (IR) Technology	Infrared (IR) Technology	Infrared (IR) Technology	Infrared (IR) Technology
Supported Point	10 Points	10 Points	10 Points	10 Points
Sensitivity	Any touch with finger, gloved hand or pointer	Any touch with finger, gloved hand or pointer	Any touch with finger, gloved hand or pointer	Any touch with finger, gloved hand or pointer
Connectivity	HID, TUIO, Flash	HID, TUIO, Flash	HID, TUIO, Flash	HID, TUIO, Flash
Supported OS and Applications	Windows®7, Windows®8, Windows®10, Vista, XP, Mac® OS, Linux, Android	Windows®7, Windows®8, Windows®10, Vista, XP, Mac® OS, Linux, Android	Windows®7, Windows®8, Windows®10, Vista, XP, Mac® OS, Linux, Android	Windows®7, Windows®8, Windows®10, Vista, XP, Mac® OS, Linux, Android
Orientation	Landscape support	Landscape Support	Landscape support	Landscape support
Calibration	No need	No need	No need	No need
Accuracy	%90 <	90% <	%90 <	%90 <
Reporting Rate	Up to 450 fps	Up to 450 fps	Up to 450 fps	Up to 450 fps
Glass Type	Anti Glared (AG), 4mm Tempered	Anti Glared (AG), 4mm tempered	Anti Glared (AG), 4mm Tempered	Anti Glared (AG), 4mm Tempered
Frame Rate	up to 450 fps	Up to 450 fps	up to 450 fps	up to 450 fps
Communication	USB 2.0	USB2.0	USB 2.0	USB 2.0
Power Supply Mode	USB	USB	USB	USB
Supply Voltage	DC 5V +/- 5%	DC 5V +/- 5%	DC 5V +/- 5%	DC 5V +/- 5%
Average Current	<400mA	< 400 mA	<400mA	<400mA
Response Time	<10ms	< 10 ms	<10ms	<10ms
Touch Accuracy	+/-2mm (over 90% area)	+/-2mm (over 90% area)	+/-2mm (over 90% area)	+/-2mm (over 90% area)
Object Sizes for Touch	5mm	5 mm	5mm	5mm
Touch Durability	Unlimited	Unlimited	Unlimited	Unlimited
HID Compatibility	Yes USB	Yes USB	Yes USB	Yes USB
Mechanical				
Product Dimensions (WxDxH)	1280 x 123 x 751 mm	1507 x 118 x 882 mm	1731 x 119 x 1008 mm	1975 x 103 x 1146 mm
Package Dimensions (WxDxH)	1480 x 265 x 930 mm	1756 x 265 x 1100 mm	1990 x 265 x 1227 mm	2163 x 318 x 1405 mm
Product Weight	29.45 kg	41.6 mm	58.3 kg	90.5 kg
Package Weight	38.15 kg	53.6 mm	72.3 kg	110.6 kg
Vesa Mounting	400 x 200 mm	400 x 400 mm	600 x 400 mm	600 x 400 mm
Bezel Width	B:34 T:34 L/R:34 mm	B:38 T:38 L/R:38 mm	B:38 T:38 L/R:38 mm	B:38 T:38 L/R:38 mm
Environmental Conditions				
Operating Temperature	+40°C / 0°C	+40°C / 0°C	+40°C / 0°C	+40°C / 0°C
Operating Humidity	90%	90%	90%	90%
Power				
Power Supply	110 VAC - 240 VAC	110 VAC - 240 VAC	110 VAC - 240 VAC	110 VAC - 240 VAC
Power Consumption				
Typical	83 W	149W	220 W	280W
Deep Standby	≤0.5W	≤ 0.5W	≤0.5W	≤0.5W
Features				
Main Features	Open Content Management Support, Scheduler, USB-Autoplay, Auto-Launch, HDMI-CEC, HDMI-Hotplug, Auto-switch on Failover, Panel Lock, OSD Rotation, NoSignalPowerOff, Screen Saver, Pixel shift, Scheduler, Videowall support, remote control via LAN, Real Time Clock			
Mechanical Features	IR Touch, Joystick, IR Extender Support, Rocker Switch, Detachable power cable, Carrying slots, Detachable logo positioning, Internal usb cover, Cable Holder			
Optional Features	OPS Compliance			
Speaker	2 x 8 W	2x8W	2 x 12 W	2 x 12 W
Accessory				
Standard	QSG, IB, Power Cord, Remote Control, RC Battery, Mounting Kit, Extension Brackets, IR Extender Cable	QSG, IB, Power Cord, Remote Control, RC Battery, Mounting Kit, Extension Brackets, IR Extender Cable	QSG, IB, Power Cord, Remote Control Unit, RC Battery, Mounting Kit, Extension Brackets, IR Extender Cable	QSG, IB, Power Cord, Remote Control Unit, RC Battery, Mounting Kit, Extension Brackets, IR Extender Cable
Certification				
Safety	YES	YES	YES	YES
EMC	YES	YES	YES	YES
CE	YES	YES	YES	YES
Reability Approval	YES	YES	YES	YES

IFM Series / IFD Series

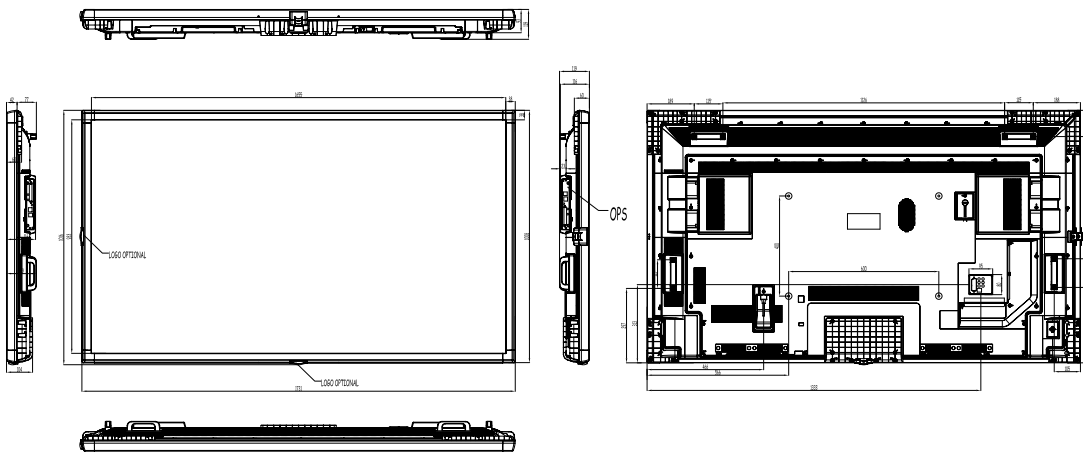
IFM55TH652/4 / IFD55TH652/3



IFM65TH752/4 / IFD65TH752/3



IFM75TH653/4 / IFD75TH653/3



IFM86TH650B/4 / IFD86TH650B/3

