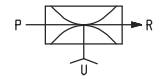
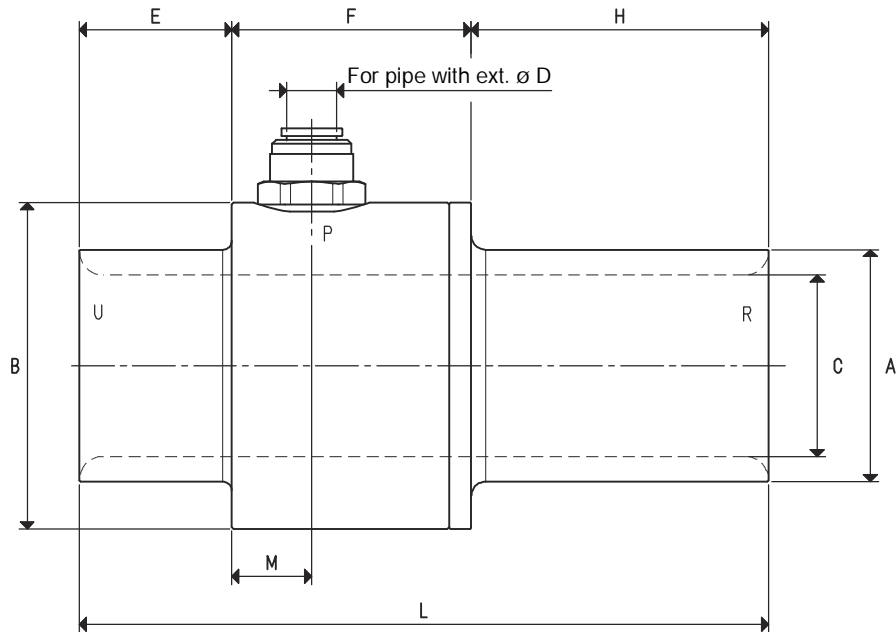


FLOW GENERATOR VACUUM JET, CX 25, CX 38 and CX 50



	P=COMPRESSED AIR CONNECTION	R=EXHAUST	U=VACUUM CONNECTION		
Art.			CX 25	CX 38	CX 50
Max. quantity of sucked air at 6 bar (g)		cum/h	150	310	405
Max. quantity of blown air at 6 bar (g)		cum/h	210	400	525
Max. vacuum level		-kPa	13	10	8
Final pressure		mbar abs.	870	900	920
Max. supply pressure		bar (g)	6.0	6.0	6.0
Air consumption at 6 bar (g)		N/s	16.6	25.0	33.3
Working temperature		°C	-20 / +80	-20 / +80	-20 / +80
Noise level		dB(A)	100	103	103
Weight		g	560	800	1090
A		∅	38	51	64
B		∅	60	75	90
C		∅	25	38	50
D		∅	10	12	16
E			42	42	42
F			66	66	66
H			82	82	82
L			190	190	190
M			22	22	22

Stainless Steel Version

8

3D drawing available at www.vuototecnica.net

Note: All the vacuum data indicated in the table are valid at the normal atmospheric pressure of 1013 mbar and are obtained with a constant supply pressure.

By adding the letter I to the article, the generator will be supplied in the stainless steel version (E.g.: CX 38 I).

Conversion ratio: inch = $\frac{\text{mm}}{25.4}$; pounds = $\frac{\text{g}}{453.6}$ = $\frac{\text{Kg}}{0.4536}$

GAS-NPT thread adapters available at page 1.117