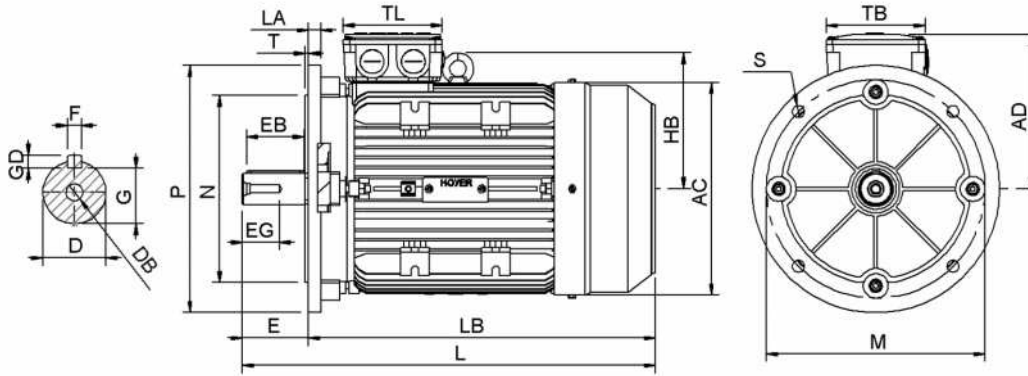


Data Sheet

Itemnumber....: 5520901209



AC = 175	DB = M8	EG = 24	GD = 7	LA = 10	M = 165	S = 4-Ø12	TL = 100
AD = 132	E = 50	F = 8	H = 90	LB = 312	N = 130	T = 3,50	
D = 24	EB = 40	G = 20	L = 362	LE = 345	P = 200	TB = 100	

Version
 Type.....: HMA3 90L-2
 Design.....: Induction motor
 Standard series.....: IEC 60034
 Phase / Voltage range.....: 3~ / Low

Electrical design
 Efficiency.....: IE3
 Pole.....: 2
 Power at 50 Hz (kW).....: 2,20
 Hz.....: 50
 Voltage.....: 230VD/400VY
 Winding voltage.....: 230VD/400VY 50 Hz
 Power output (kW).....: 2,20
 Duty.....: S1
 Insulation class.....: F
 Temperature rise.....: B

Mechanical design
 Frame size.....: 90
 Mounting.....: B5
 Rain cap.....: No
 Protection class.....: IP55
 Cooling method.....: IC411/TEFC
 External grounding.....: Yes
 Drain hole.....: Yes
 Frame material.....: Aluminium
 Material approval.....: None
 Shaft.....: IEC standard
 Key.....: Closed key
 Balancing.....: Half key balancing
 Vibration class.....: Grade-A
 Weight (kg).....: 19,0

Bearing
 DE Bearing.....: 6205-ZZ/C3
 NDE Bearing.....: 6205-ZZ/C3
 Fixed bearing.....: DE

Terminal box
 Tbox position.....: Top
 Cable entry direction.....: Right (from DE)
 Cable entry
 Main.....: 2 x M20x1,5
 Plastic blindcaps
 Accessory.....: NA
 Connection type.....: Star (Y)
 Terminal board thread.....: 6-M4

Environment condition
 Ambient temp. min. (°C)..: -20
 Ambient temp. max. (°C)..: 40
 Altitude (mtr up to).....: 1000

Test values
 Rotor inertia (kgm²).....: 0,0028
 Noise level (dB(A)).....: 62
 No load current (A).....: 2,16
 Winding resist. (ohm).....: 2,08
 Starting time (sec.).....: 0,04
 Temp. rise winding (K).....: 56
 Temp. rise surface (K).....: 30

Motor protection
 Thermal protection main....: PTC 3x 155 dgr
 Thermal protection second..: None
 Space heater.....: None
 Temperature detector.....: No
 SPM.....: No
 IR wire.....: No
 Tropical insulation.....: No

Explosion protection
 According to.....: None
 Type of protection.....: None

General
 Direction of rotation.....: CW
 Painting.....: RAL 9005 Gloss 10
 Nameplate.....: Multivoltage
 Special packing.....: No
 Special requirements.....: No

Rated power (kW)	2,20	2,14	2,65	2,55
Frequency (Hz)	50	50	60	60
Voltage (V)	230 400	220 380	280 480	440
Connection	D Y	D Y	D Y	Y
Full load current (A)	7,70 4,45	7,95 4,60	7,70 4,45	4,60
Speed (rpm)	2920	2920	3500	3500
Power factor cos(phi)	0,84	0,84	0,84	0,85
Efficiency, 100/75/50 (%)	86,3/87,3/86,6	86,3/87,3/86,6	86,3/87,3/86,6	85,4/86,4/85,7
Ist/In	9,1	8	9,1	8,4
Full load torque (Nm)	7,20	7,00	7,20	7,00
Tst/Tn	3,3	3,1	3,3	2,8
Tmax /Tn	3,5	3,3	3,5	3,1
Duty	S1	S1	S1	S1
Ambient temp. (°C)	40	45	40	45