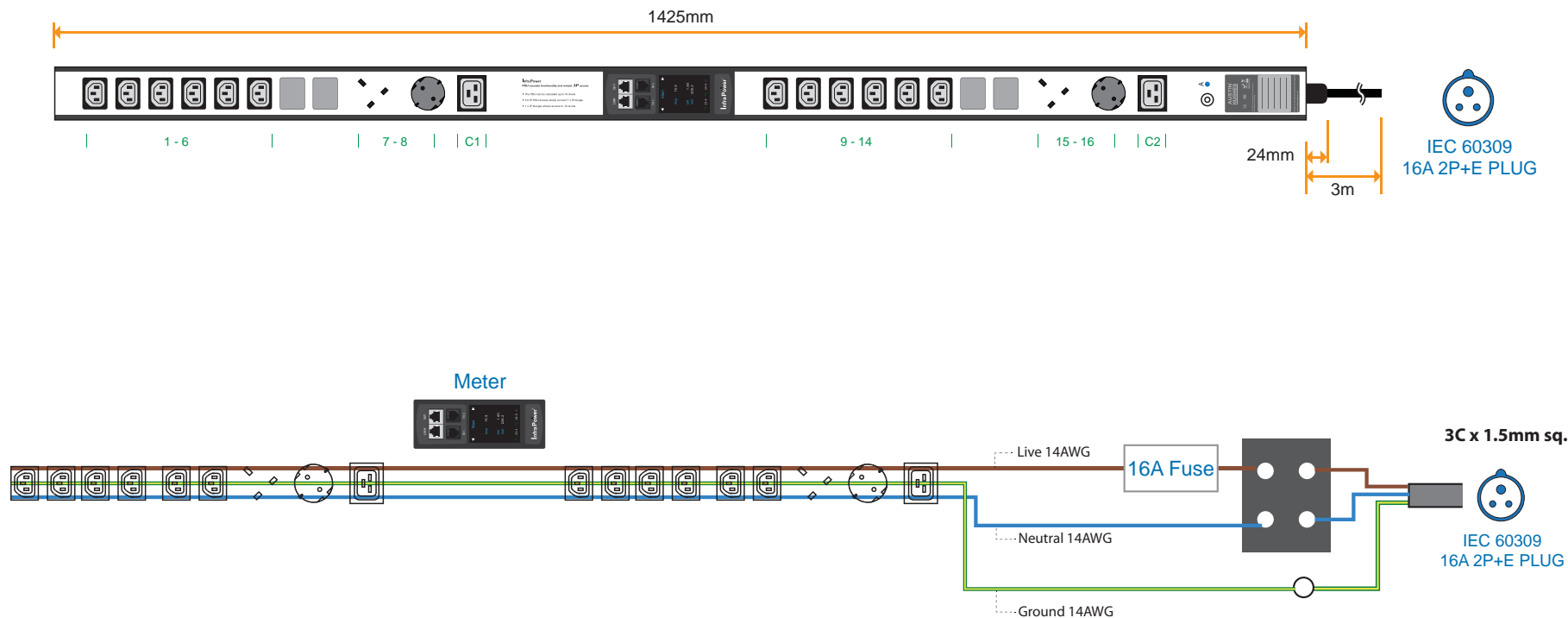


1-Phase 230V 16A monitored PDU drawing & specification

Model : V2UK135/2SCH/12C13/2C19-16A-W/F_EN/3B-1



Single phase monitored PDU

Input Rating : 16A, 230V
 Outlet : 13A Rated BS1363 x 2
 16A Rated Schuko x 2
 10A Rated IEC320 C13 x 12
 16A Rated IEC320 C19 x 2
 Inlet : 16A IEC60309 2P+E plug
 Cordset : 3 meter 1.5mm sq. H05V V-F cordset
 Protection : 16A resettable fuse x 1
 Circuit Details : Output 16A max.

Meter Features (W monitored PDU)

Local Display : Field replaceable 2.8" color LCD with touchscreen
 Bank Measurement : Voltage (V), Current (A), energy (kWh) & power factor
 Accuracy : ±1% true RMS
 IP Access : via IP dongle, one IP Access up to 16 PDU Levels
 Cascade : Up to 16 PDU under single IP address via IP dongle
 SNMP : via IP dongle
 Sensor Port x 2 : Temp. Sensor / Temp. + Humid. Sensor

EMC Compliance	:	FCC & CE certified
Safety Compliance	:	CE / LVD certified
Environment Compliance	:	RoHS2 & REACH
Operating Temperature	:	-5 to 60 °C
Storage Temperature	:	-25 to 65 °C
Operating Altitude	:	0 to 2,000 m
Storage Altitude	:	0 to 15,000 m
Humidity	:	8 to 95% RH, non-condensing
Dimension	:	60 (W) x 60 (D) x 1425 (H) mm
Material	:	Extrusion
Color	:	Black