

**RE 21 050/02.03**

Replaces: 02.99

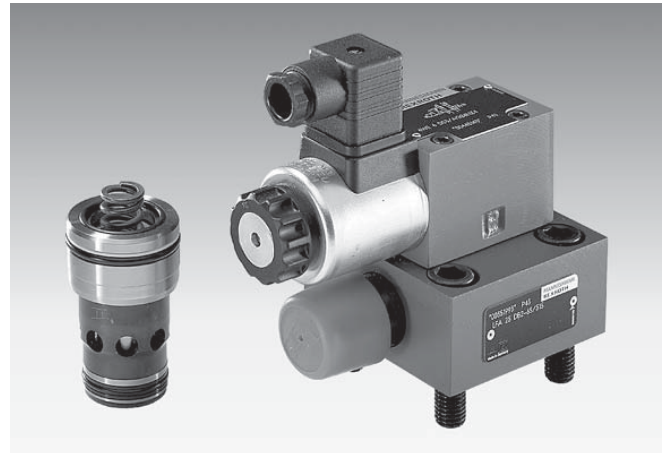
**2-way cartridge valves; pressure functions  
Cartridge valves type LC...  
Control covers type LFA...**

Nominal sizes 16 to 100

Series 6X; 7X

Maximum operating pressure 420 bar

Maximum flow 7000 L/min



Cartridge valve type LC 25 DB40E-7X  
Control cover type LFA 25 DBW2-7X/315 with manual pressure  
adjustment, electrical unloading with built-on directional valve.

**Overview of contents**

<b>Contents</b>	<b>Page</b>	<b>Contents</b>	<b>Page</b>
Function, section, symbols		Ordering details, symbols and unit dimensions:	
– General	2	– Type DB	18 to 20
– Pressure relief function	2	– Types DBW; DBS	21 to 25
– Pressure reducing function	2 to 3	– Type DBWD	26 to 28
– Pressure sequencing function	3	– Type DBU2	29 to 32
– Cavity and porting pattern	4	– Type DBU3D	33 to 37
<b>Pressure relief function:</b>		– Type DBE	38
– <b>Cartridge valve type LC . DB...:</b>		– Type DBEM	39 to 42
• Ordering details	5	<b>Pressure reducing function:</b>	
• Symbols	5	– <b>Cartridge valve type LC . DR...:</b>	
• Technical data	5	• Ordering details	43
• Characteristic curves	6 to 11	• Symbol	43
• Seal kits	12	• Technical data	43
• Compression springs	12	• Characteristic curves	44 to 46
• Preferred types	12	• Seal kits	47
– <b>Control cover type LFA . DB...:</b>		• Compression springs	47
• Ordering details (general)	13 to 14	– <b>Control cover type LFA . DR...:</b>	
• Technical data	14	• Ordering details (general)	48
• Pilot valves	15	• Symbol	48
• Symbols (basic symbols)	16	• Technical data	49
• R-rings for pilot oil connections	17	• Pilot valve	49
• Seal kits	17	• Symbols (basic symbols)	50
• Fixing screws	17		
• Orifice dimensions	17		

Continued on page 2



© 2003

by Bosch Rexroth AG, Industrial Hydraulics, D-97813 Lohr am Main

All rights reserved. No part of this document may be reproduced or stored, processed, duplicated or circulated using electronic systems, in any form or by any means, without the prior written authorisation of Bosch Rexroth AG. In the event of contravention of the above provisions, the contravening party is obliged to pay compensation.

## Overview of contents

Contents	Page	Contents	Page
<ul style="list-style-type: none"> <li>• R-rings for the pilot oil connections</li> <li>• Fixing screws</li> <li>• General dimensions</li> </ul>	51 51 52	<b>Pressure sequencing function:</b> – <b>Control cover type LFA . DZ...:</b> <ul style="list-style-type: none"> <li>• Ordering details (general)</li> <li>• Symbols (basic symbols)</li> <li>• Technical data</li> <li>• R-rings for the pilot oil connections</li> <li>• Seal kits</li> <li>• Fixing screws</li> <li>• Orifice dimensions</li> </ul>	61 61 62 62 63 63 63
Ordering details, symbols and unit dimensions:		Ordering details, symbols and unit dimensions:	
– Type DR	53 to 54	– Type DZ	64 to 65
– Type DRW	55 to 56	– Type DZW	66 to 67
– Types DREV; DREZ	57 to 58		
– Types DREVV; DREWZ			

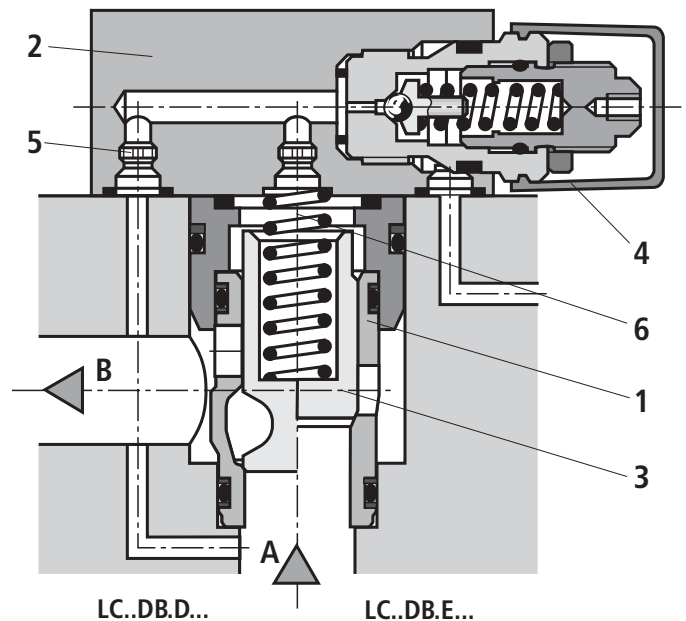
## Function, section, symbols

### General

The 2-way cartridge valves for pressure control functions are pilot operated poppet or spool valves. The main component designed as a cartridge valve (1) is inserted into a cavity which is standardised to DIN ISO 7368 and is sealed by the control cover (2).

The pilot valve (4) for either manual or electrical proportional pressure control is integrated into the control cover (2) or mounted onto the control cover (2) as a pilot valve with interface connections to DIN 24 340.

By combining the cartridge valve with the control covers different pressure functions can be realised.

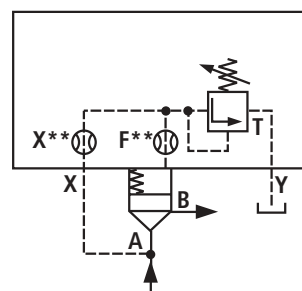


### Pressure relief function

#### Control cover type LFA..DB...

#### Cartridge valve type LC..DB...

The cartridge valve (1) for the pressure relief function (type LC . DB . . .) is a poppet valve without an area differential (no effective area at port B). The pressure acting at port A is fed via the pilot supply orifice (5) to the spring side (6) of the element. At pressures below the setting of pilot valve (4) the forces on spool (3) are balanced and the spool remains closed due to the spring force. On reaching the set pressure, spool (3) opens and limits the pressure at port A in relation to the pressure-flow characteristics.



Type LFA..DB...

Type LC..DB...

### Pressure reducing function

#### a) Normally open: Control cover type LFA..DB...

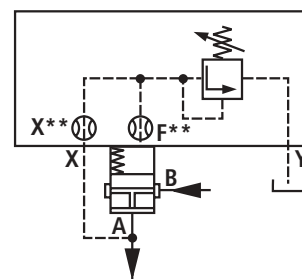
#### Cartridge valve type LC..DR...

The cartridge valve for the pressure reducing function is a spool valve without an area differential (no effective area at port B).

The same types of cover are used as pilot valves that are used for the pressure relief functions (type LFA..DB...).

The pressure acting at port A is fed to the spring side of the spool via the pilot oil supply orifice. Below the performance limit and pressure set at the pilot valve, the spool is pressure-balanced and is held open by the spring force, so that oil is free to flow from port B to port A.

On reaching the set pressure, the spool closes and reduces the pressure at port A in relation to the pressure-flow characteristics.



E.g.

Type LFA..DB...

Type LC..DR40...

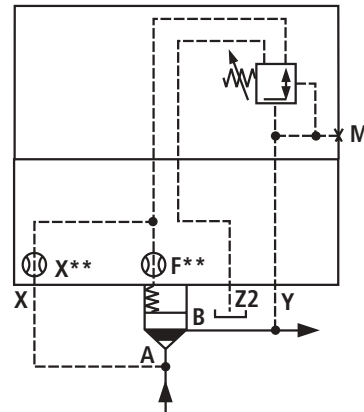
## Function, symbols

### b) Normally closed: Control cover type LFA..DR... Cartridge valve type LC..DB40D...

For the pressure reducing function with opening characteristics a pressure relief valve cartridge (type LC..DB40D...) and a control cover with a pressure reducing valve (type LFA..DR...) as the pilot valve are used. The pilot oil is fed from port A via the pilot supply orifice and the open pilot valve to side B.

The main spool opens and allows free-flow from port A to port B.

On reaching the set pressure, the spool closes and reduces the pressure at port B in relation to the pressure-flow characteristics. Possible excess pressures occurring on the secondary side are led away to tank via the third port of the pilot valve. By fitting a directional valve, an additional isolating function can also be attained (type LFA..DRW...).



E.g.  
Type LFA..DR...  
Type LC..DB40D...

## Pressure sequencing function

### Control cover type LFA..DZ... Cartridge valve type LC..DB...

This function enables a pressure-dependent sequencing of a second system.

The required sequencing pressure is set by the pilot valve which is integrated into the control cover.

The pilot oil supply may be either external (pilot oil port X) or internal (from port A via pilot oil port X or Z2).

The spring chamber of the pilot control is drained at zero pressure via ports Y or Z1 to tank.

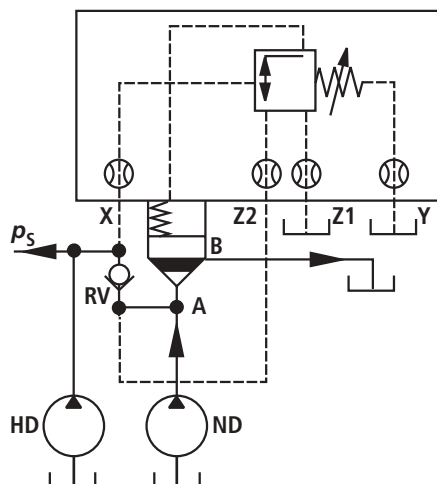
When the pressure set at the pilot control spring is reached, the pilot valve switches and unloads the spring chamber of the main valve to tank. The main spools opens and makes the connection from port A to B possible.

In version LFA..DZW..., the required spool position may be selected by means of an electrically operated pilot valve (not included with the scope of control cover LFA..DZW... supply) in addition to the normal hydraulic control.

## Circuit examples

**Example 1:** (circuit for the pressure dependent unloading of the low pressure system)

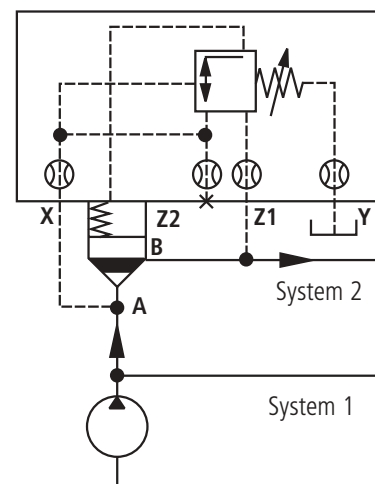
In the circuit shown, the system is fed by a high pressure pump and a low pressure pump. The system pressure  $p_s$  acts externally from the high pressure side via the pilot oil port X on the pilot valve which, on reaching the set pressure, switches the low pressure side to give zero pressure circulation. The check valve RV (not included within the scope of supply) prevents the high pressure system from flowing into the low pressure system which is now at zero pressure.



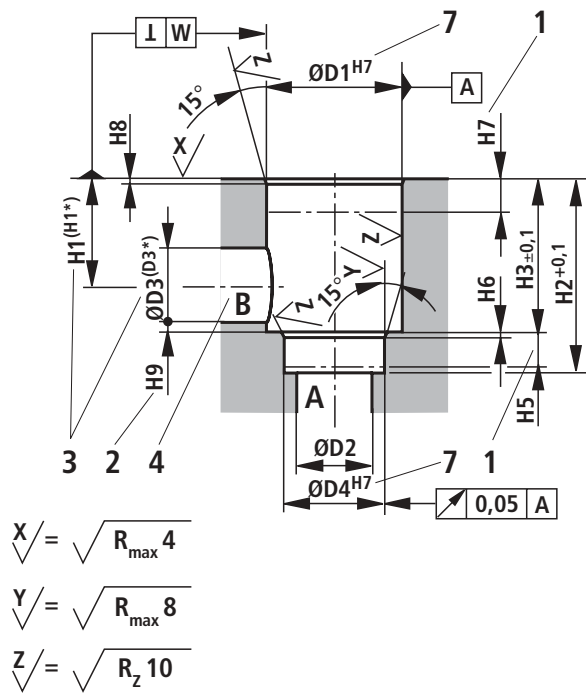
E.g.  
Type LFA..DZ...Y  
Type LC..DB20D...

**Example 2:** (circuit for the pressure dependent sequencing of a 2nd system)

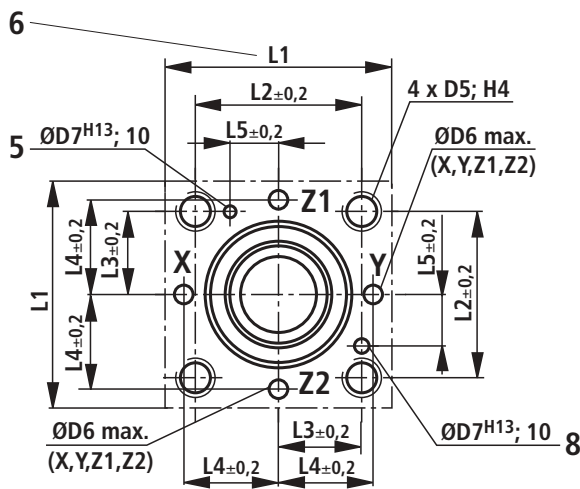
With this circuit, oil is allowed to flow into system 2 when the pressure in system 1 has reached a pre-set value. The pilot oil supply is internal from port A of the main valve.



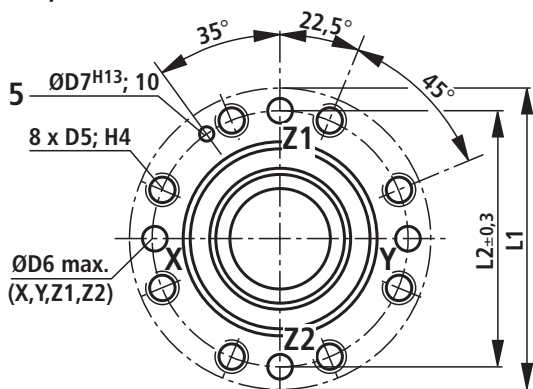
E.g.  
Type LFA..DZ...Y  
Type LC..DB20D...



NS 16 to 63



NS 80, 100



NS	16	25	32	40	50	63	80	100
ØD1 <sup>H7</sup>	32	45	60	75	90	120	145	180
ØD2	16	25	32	40	50	63	80	100
ØD3	16	25	32	40	50	63	80	100
(ØD3*)	25	32	40	50	63	80	100	125
ØD4 <sup>H7</sup>	25	34	45	55	68	90	110	135
ØD5	M8	M12	M16	M20	M20	M30	M24	M30
ØD6 <sup>1)</sup>	4	6	8	10	10	12	16	20
ØD7 <sup>H13</sup>	4	6	6	6	8	8	10	10
H1	34	44	52	64	72	95	130	155
(H1*)	29.5	40.5	48	59	65.5	86.5	120	142
H2	56	72	85	105	122	155	205	245
H3	43	58	70	87	100	130	175±0.2	210±0.2
H4	20	25	35	45	45	65	50	63
H5	11	12	13	15	17	20	25	29
H6	2	2,5	2,5	3	3	4	5	5
H7	20	30	30	30	35	40	40	50
H8	2	2,5	2,5	3	4	4	5	5
H9	0,5	1	1,5	2,5	2,5	3	4,5	4,5
L1	65/80	85	102	125	140	180	Ø250	Ø300
L2	46	58	70	85	100	125	Ø200	Ø245
L3	23	29	35	42,5	50	62,5	—	—
L4	25	33	41	50	58	75	—	—
L5	10,5	16	17	23	30	38	—	—
W	0,05	0,05	0,1	0,1	0,1	0,2	0,2	0,2

<sup>1)</sup> Max. dim.

- 1 Depth of fit
- 2 Reference dimension
- 3 For diameters of port B other than ØD3 or (ØD3\*), the distance from the cover mounting surface to the centre of this hole must be calculated.
- 4 Port B may be moved about the central axis of port A. Care must however be taken to ensure that the fixing holes and control holes are not damaged.
- 5 Drilling for location pin (cover location pin fitted to DIN 24 342)
- 6 **Note on NS 16 porting pattern:**  
Length L1 (axis x–y drilling) is 80 mm.
- 7 For Ø ≤ 45 mm → fit H8 is permitted!
- 8 Drilling for locating pin with functions as a main pressure relief valve (cover locating pin has to be appropriately relocated during assembly)

## Pressure relief function

### Ordering details: pressure relief cartridge valve (without control cover)

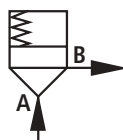
	LC	DB				
Nominal size 16	= 16					<b>No code =</b> <b>V</b> NBR seals FKM seals (other seals on request) <b>⚠ Attention!</b> The compatibility of the seals and pressure fluid has to be taken into account! <b>7X =</b> (NS 16 to 63) Series 70 to 79 (70 to 79: unchanged installation and connection dimensions) <b>6X =</b> (NS 80 and 100) Series 60 to 69 (60 to 69: unchanged installation and connection dimensions) <b>E =</b> Poppet valve <b>without</b> orifice (standard) <b>D =</b> Spool poppet valve <b>without</b> orifice (standard) <b>A =</b> Poppet valve <b>with</b> orifice <b>B =</b> Spool poppet valve <b>with</b> orifice
Nominal size 25	= 25					
Nominal size 32	= 32					
Nominal size 40	= 40					
Nominal size 50	= 50					
Nominal size 63	= 63					
Nominal size 80	= 80					
Nominal size 100	= 100					
Opening pressure approx. 0 bar (without spring)	= 00					
Opening pressure approx. 2 bar	= 20					
Opening pressure approx. 3 bar	= 30 <sup>1)</sup>					
Opening pressure approx. 4 bar	= 40					
Opening pressure approx. 5 bar	= 50 <sup>2)</sup>					
Opening pressure approx. 8 bar	= 80 <sup>3)</sup>					

- <sup>1)</sup> Opening pressure 3.0 bar only with NS16 for fitting a pilot operated pressure relief valve type DBC . -5X/...SO187 (see catalogue sheet RE 25 802)
- <sup>2)</sup> Only with NS 16, 25 and 32
- <sup>3)</sup> Special installation space is required (see page 12)

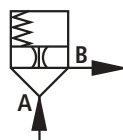
**Preferred; types, see page 12, are readily available!**

### Symbols: cartridge valves (for versions see ordering details)

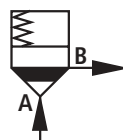
Poppet valve **without** orifice  
Version „E“



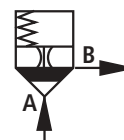
Poppet valve **with** orifice  
Version „A“



Spool poppet valve **without** orifice  
Version „D“



Spool poppet valve **with** orifice  
Version „B“



### Technical data (for applications outside these parameters, please consult us!)

Pressure fluid	Mineral oil (HL, HLP) to DIN 51 524 <sup>1)</sup> ; Fast bio-degradable pressure fluids to VDMA 24 568 (also see RE 90 221); HETG (rape seed oil) <sup>1)</sup> ; HEPG (polyglycols) <sup>2)</sup> ; HEES (synthetic ester) <sup>2)</sup> ; Other pressure fluids on request
<sup>1)</sup> Suitable for NBR <b>and</b> FKM seals <sup>2)</sup> <b>Only</b> suitable for FKM seals	
Pressure fluid temperature range	°C – 30 to + 80 for NBR seals – 20 to + 80 for FKM seals
Viscosity range	mm <sup>2</sup> /s 2.8 to 380
Cleanliness class to ISO code	Maximum permissible degree of contamination of the pressure fluid is to ISO 4406 (C) class 20/18/15 <sup>3)</sup>

#### 2-way cartridge valve

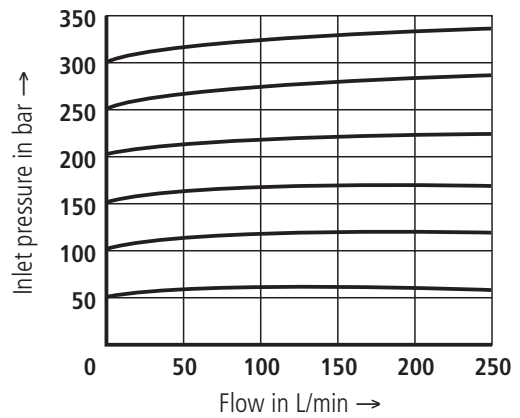
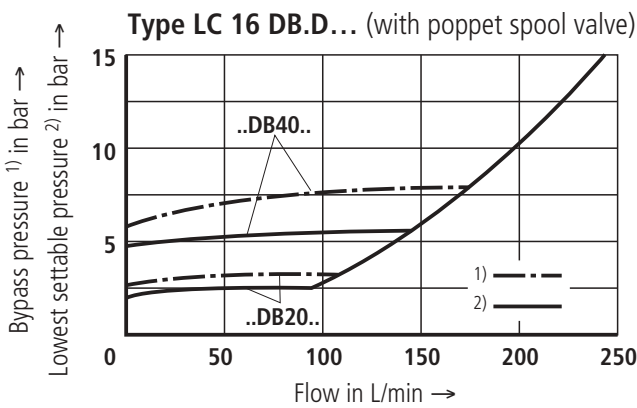
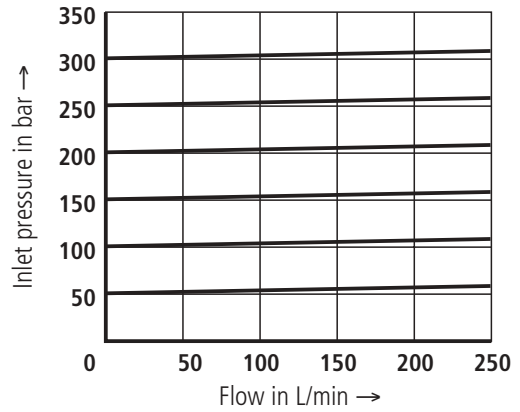
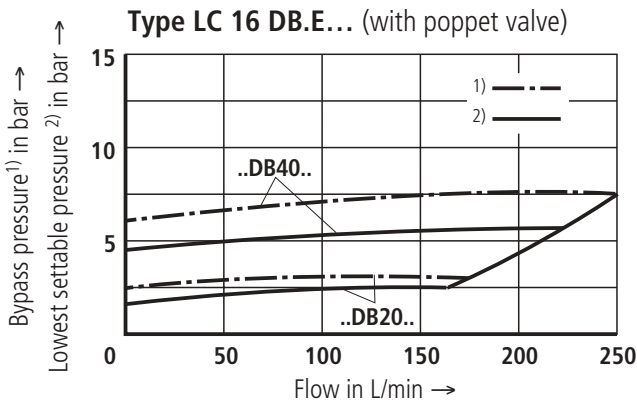
Maximum operating pressure – Ports A and B	bar	420
Maximum flow (recommended)	NS	16    25    32    40    50    63    80    100
	– Poppet valve cartridges „E“ and „A“	L/min    300    450    600    1000    1600    2500    4500    7000
	– Spool valve cartridges „D“ and „B“	L/min    175    300    450    700    1400    1750    3200    4900

- <sup>3)</sup> The cleanliness class stated for the components must be adhered to in hydraulic systems. Effective filtration prevents faults from occurring and at the same time increases the component service life.  
For the selection of filters see catalogue sheets RE 50 070, RE 50 076 and RE 50 081.

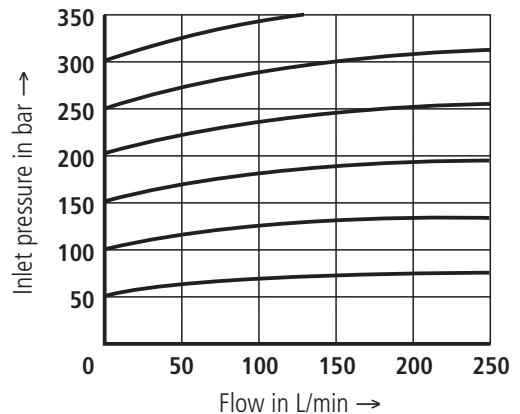
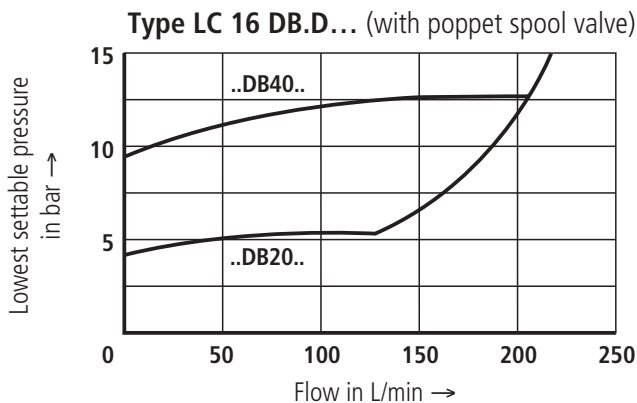
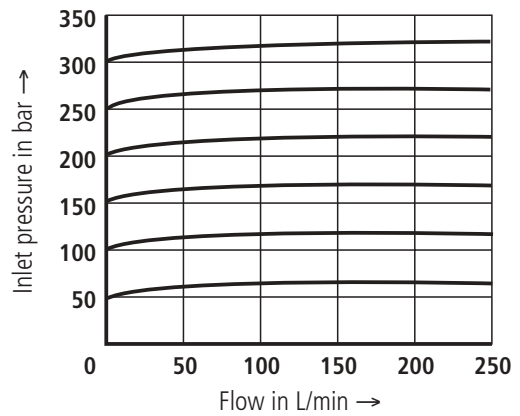
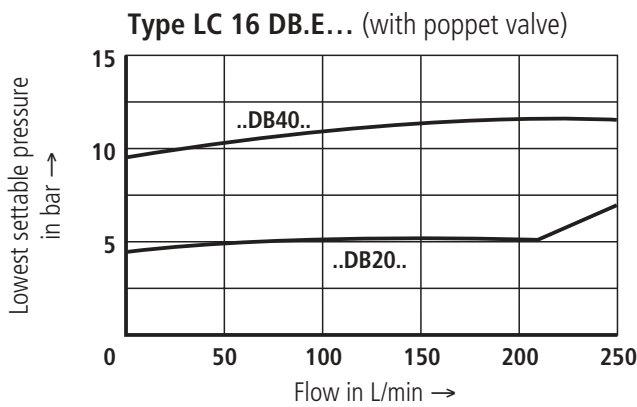
**Characteristic curves: NS 16 (measured with HLP 46;  $\vartheta_{oil-j} = 40\text{ °C} \pm 5\text{ °C}$ )**

The characteristic curves were measured with an external pilot oil drain at zero pressure. With an internal pilot oil drain the inlet pressure is increased by the pressure being applied at port B.

**Manual pressure adjustment, type LFA 16 DB... and type LFA 16 DBW...**



**Electrical proportional pressure adjustment, type LFA 16 DBE...**

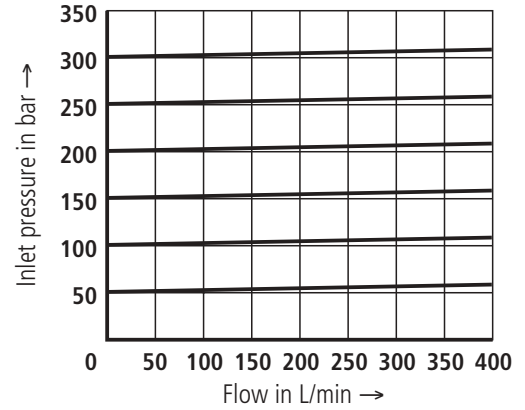
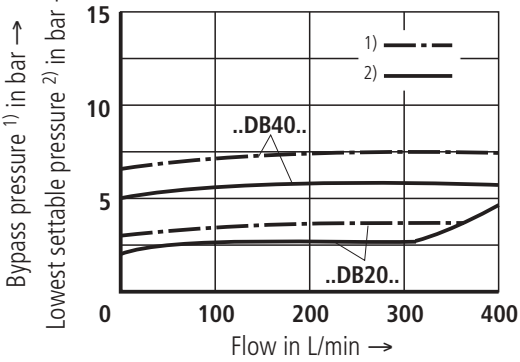


**Characteristic curves:** NS 25 (measured with HLP 46;  $\vartheta_{oil} = 40 \text{ }^\circ\text{C} \pm 5 \text{ }^\circ\text{C}$ )

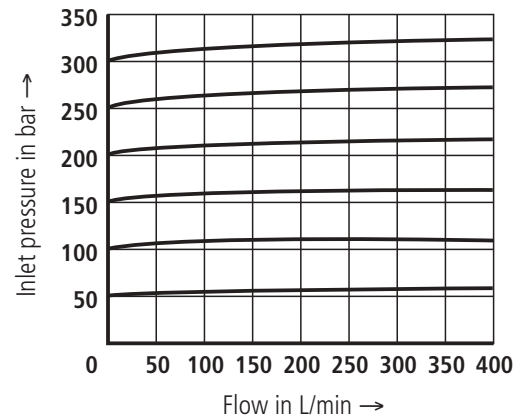
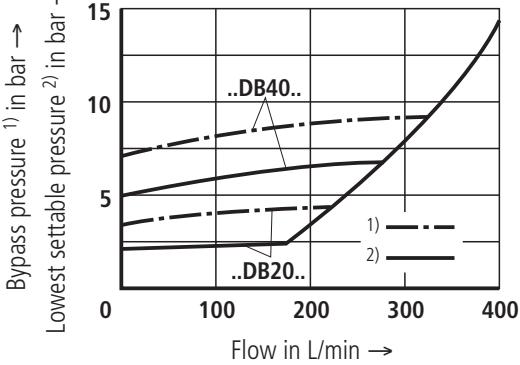
The characteristic curves were measured with an external pilot oil drain at zero pressure. With an internal pilot oil drain the inlet pressure is increased by the pressure being applied at port B.

**Manual pressure adjustment, type LFA 25 DB... and type LFA 25 DBW...**

**Type LC 25 DB.E... (with poppet valve)**

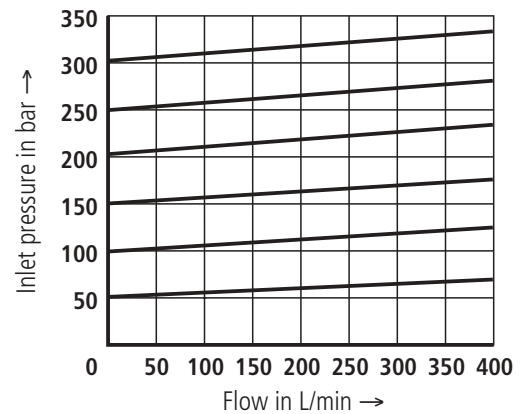
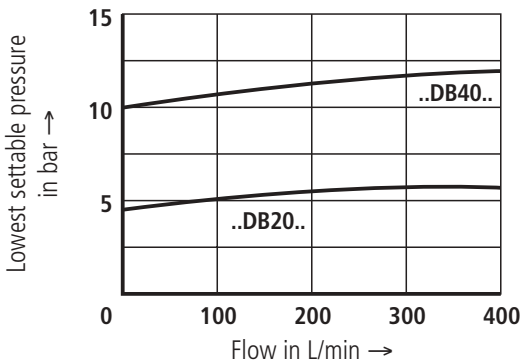


**Type LC 25 DB.D... (with poppet spool valve)**

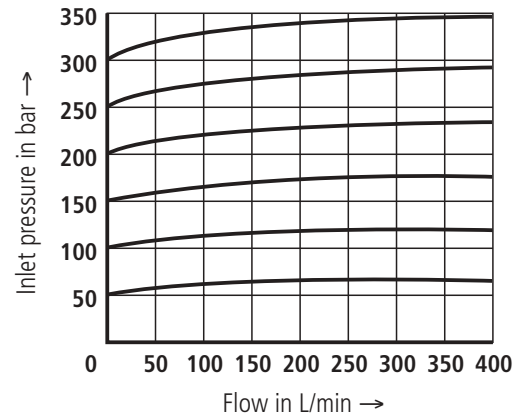
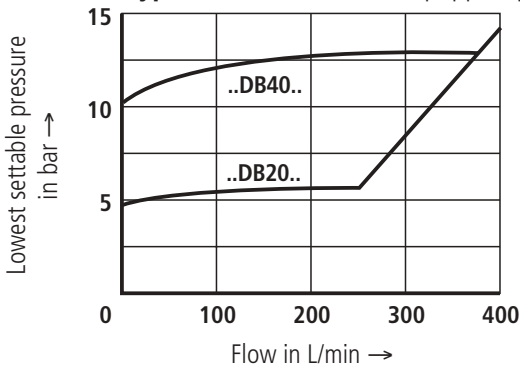


**Electrical proportional pressure adjustment, type LFA 25 DBE...**

**Type LC 25 DB.E... (with poppet valve)**



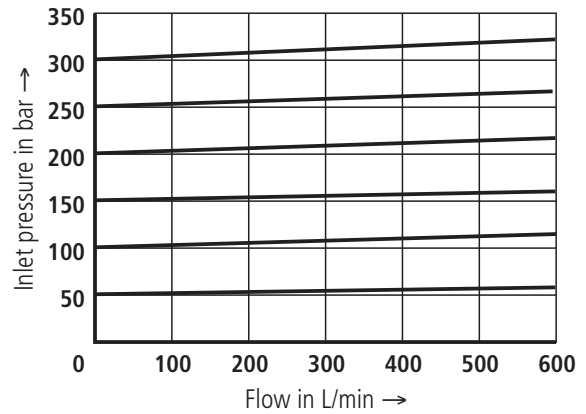
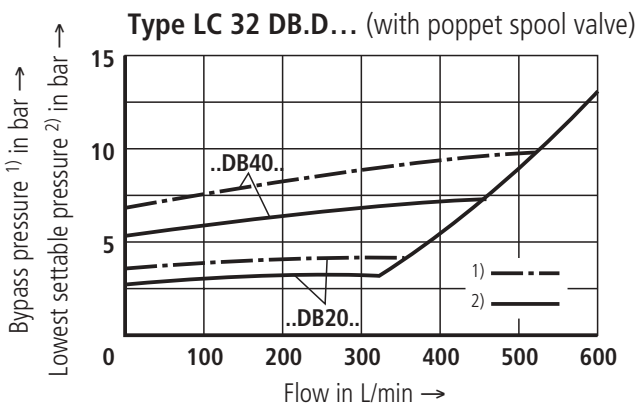
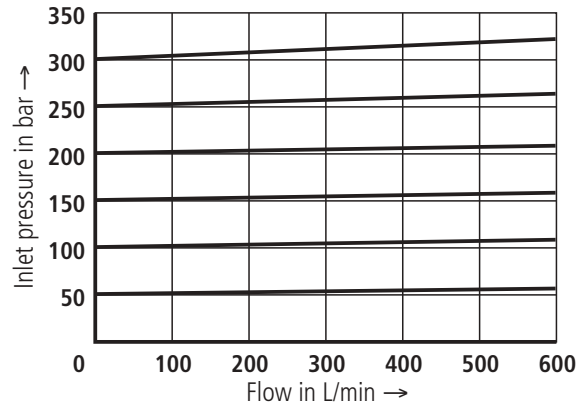
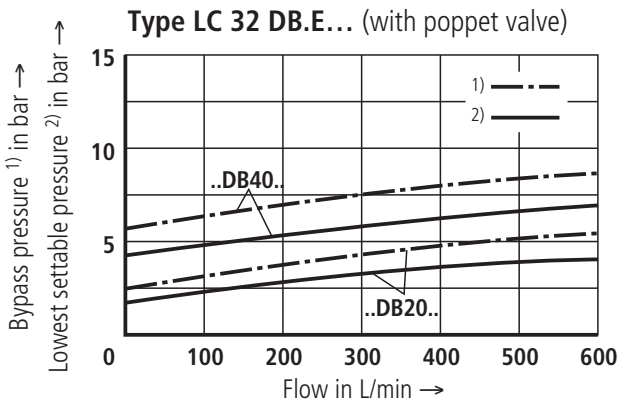
**Type LC 25 DB.D... (with poppet spool valve)**



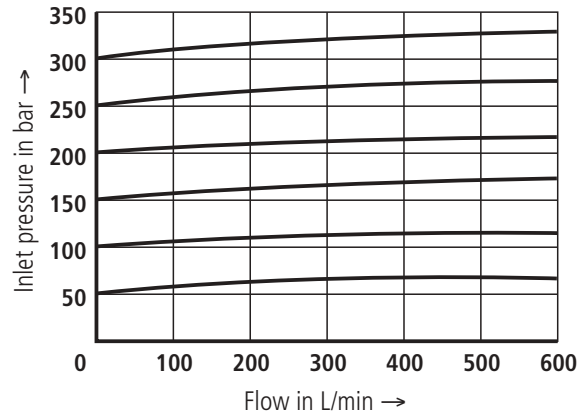
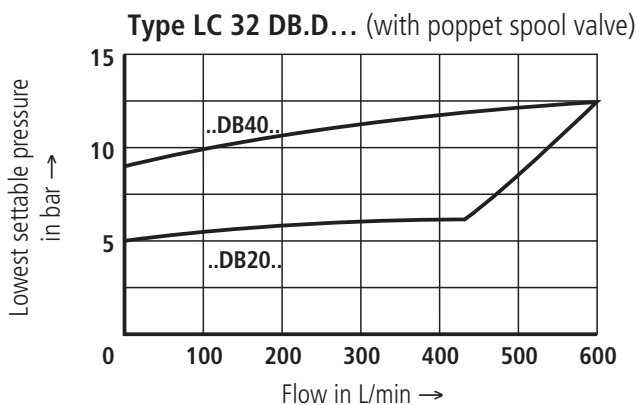
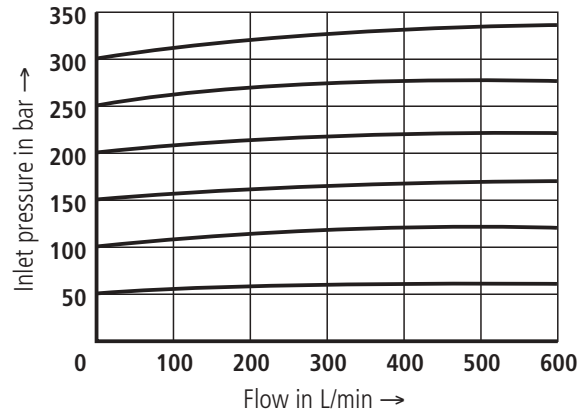
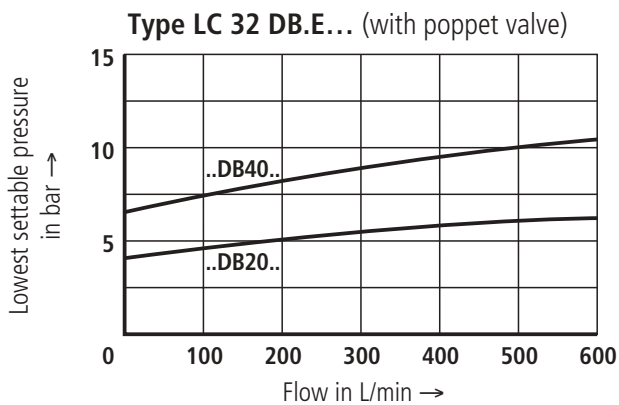
**Characteristic curves: NS 32 (measured with HLP 46;  $\vartheta_{oil} = 40\text{ °C} \pm 5\text{ °C}$ )**

The characteristic curves were measured with an external pilot oil drain at zero pressure. With an internal pilot oil drain the inlet pressure is increased by the pressure being applied at port B.

**Manual pressure adjustment, type LFA 32 DB... and type LFA 32 DBW...**



**Electrical proportional pressure adjustment, type LFA 32 DBE...**

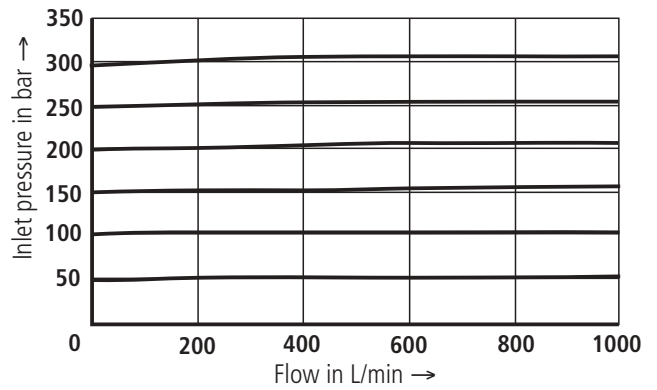
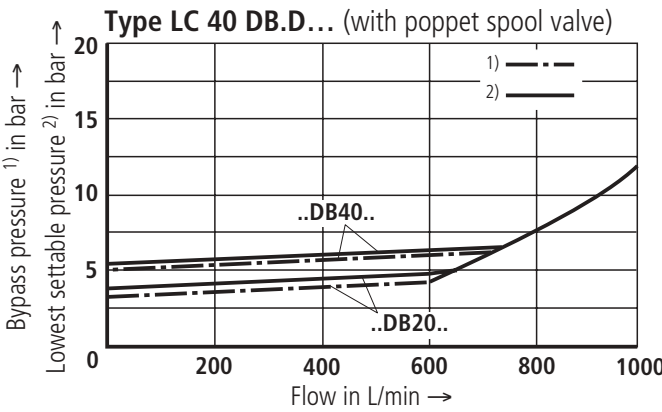
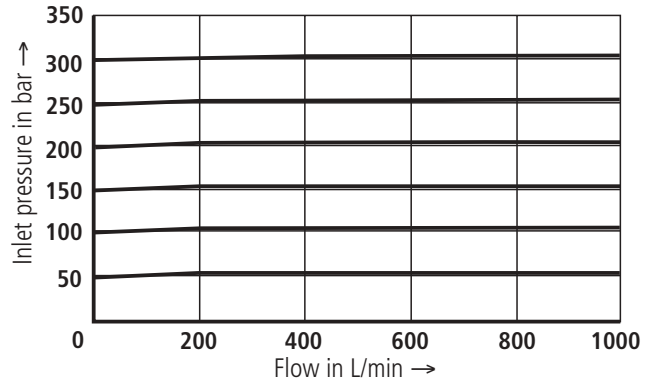
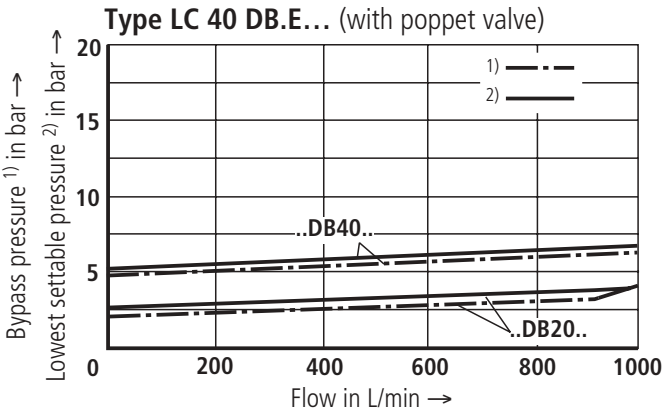




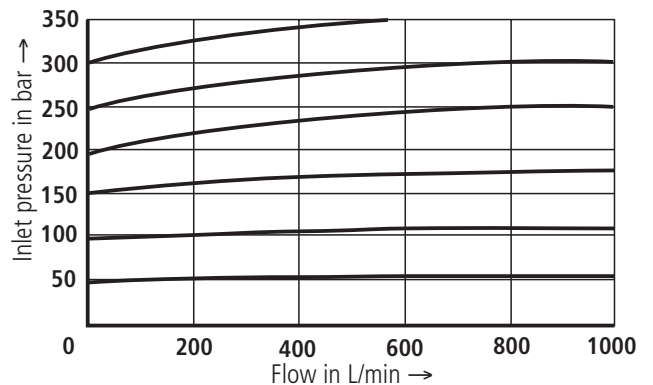
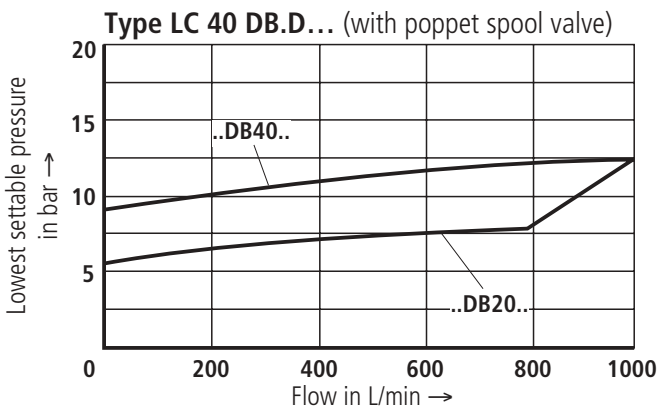
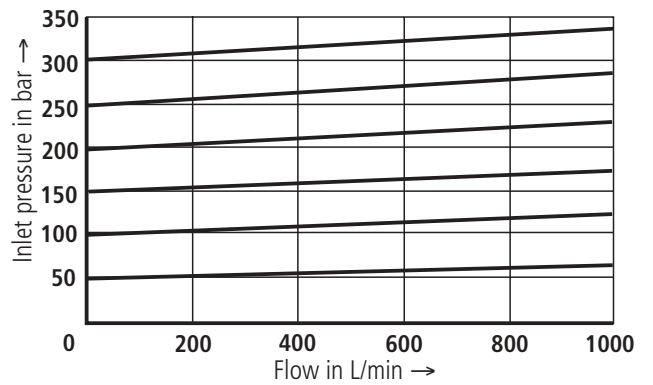
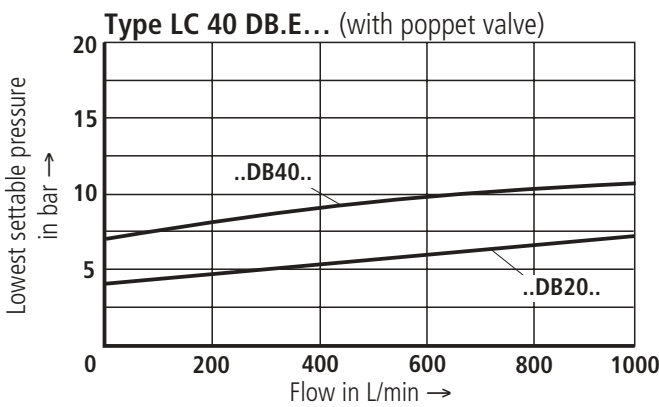
**Characteristic curves: NS 40** (measured with HLP 46;  $\vartheta_{oil} = 40 \text{ }^\circ\text{C} \pm 5 \text{ }^\circ\text{C}$ )

The characteristic curves were measured with an external pilot oil drain at zero pressure. With an internal pilot oil drain the inlet pressure is increased by the pressure being applied at port B.

**Manual pressure adjustment, type LFA 40 DB... and type LFA 40 DBW...**



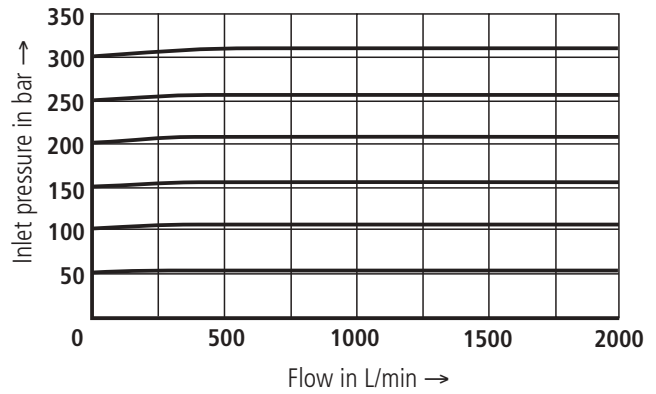
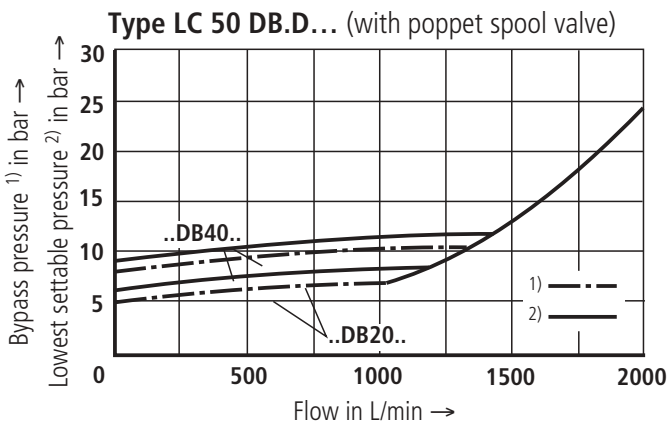
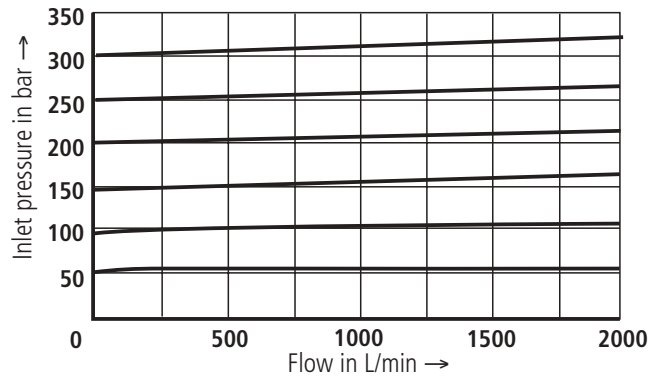
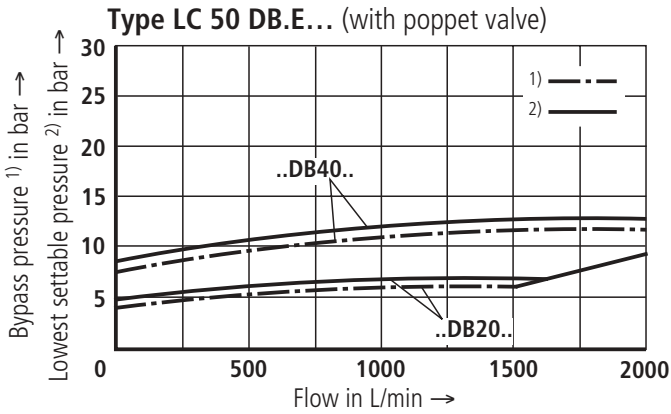
**Electrical proportional pressure adjustment, type LFA 40 DBE...**



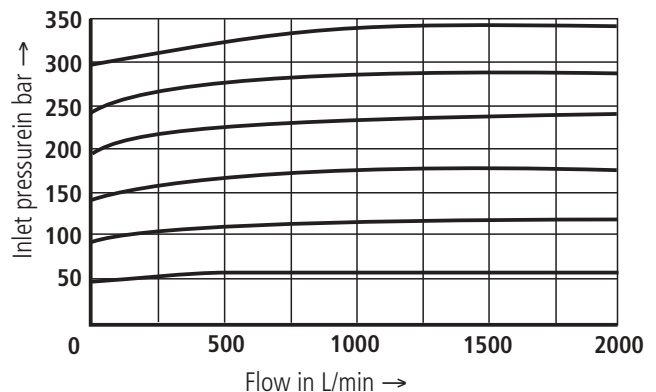
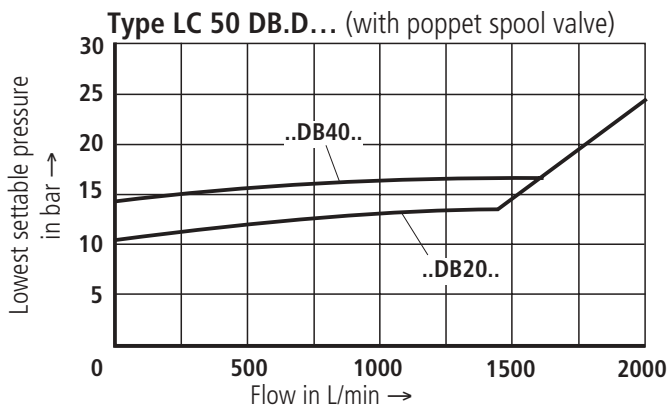
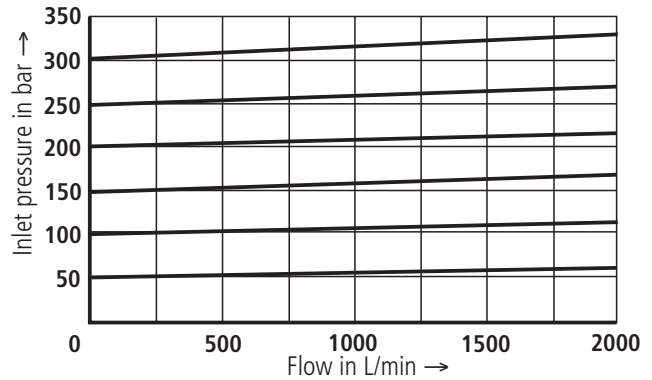
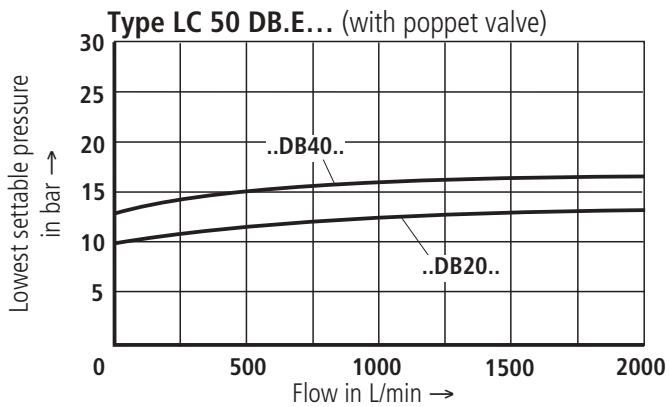
**Characteristic curves: NS 50 (measured with HLP 46;  $\vartheta_{oil} = 40 \text{ }^\circ\text{C} \pm 5 \text{ }^\circ\text{C}$ )**

The characteristic curves were measured with an external pilot oil drain at zero pressure. With an internal pilot oil drain the inlet pressure is increased by the pressure being applied at port B.

**Manual pressure adjustment, type LFA 50 DB... and type LFA 50 DBW...**



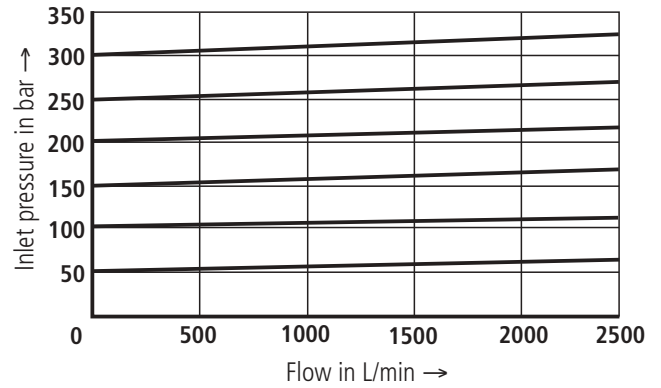
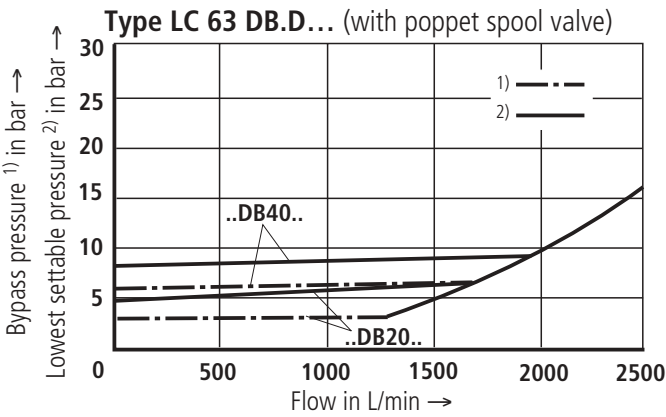
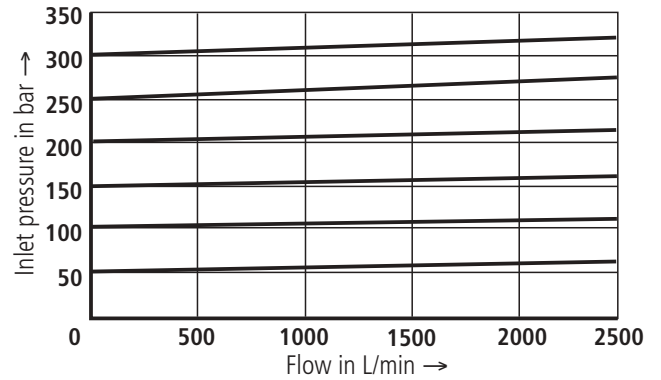
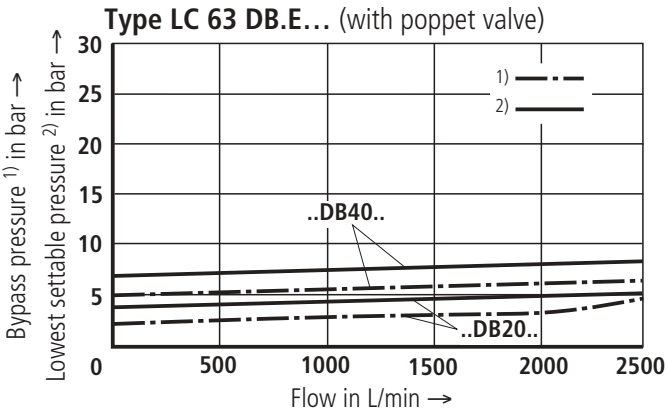
**Electrical proportional pressure adjustment, type LFA 50 DBE...**



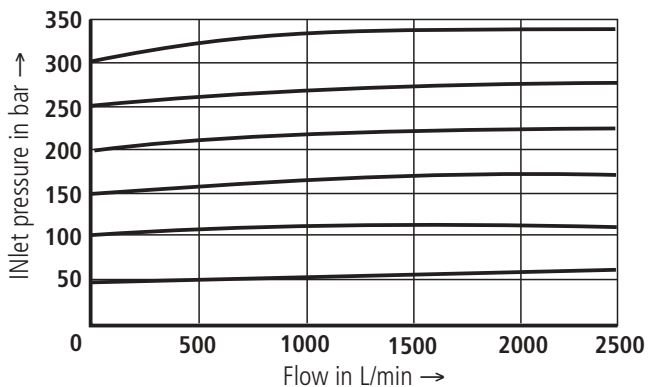
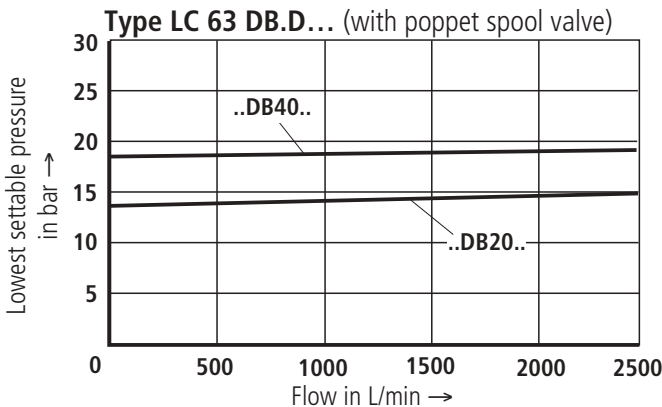
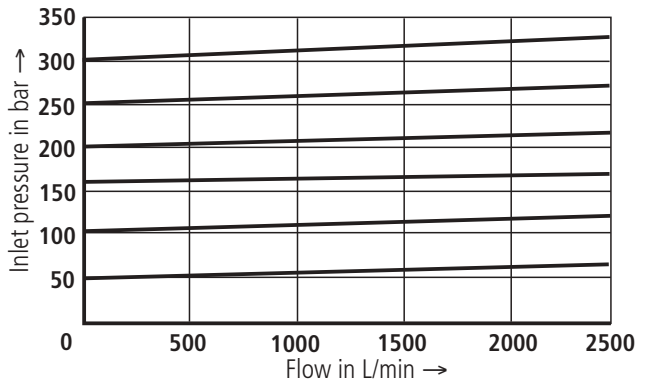
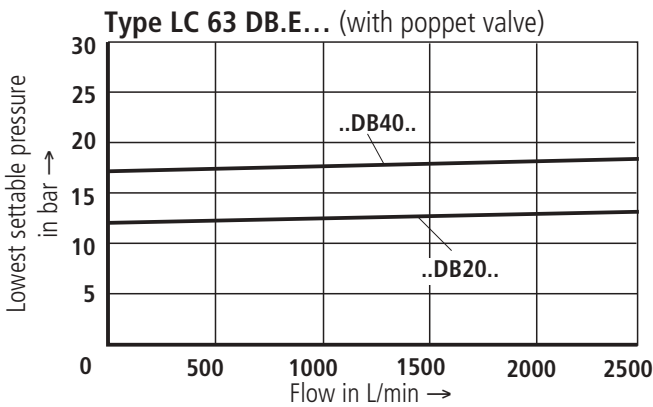
**Characteristic curves: NS 63 (measured with HLP 46;  $\vartheta_{oil} = 40 \text{ }^\circ\text{C} \pm 5 \text{ }^\circ\text{C}$ )**

The characteristic curves were measured with an external pilot oil drain at zero pressure. With an internal pilot oil drain the inlet pressure is increased by the pressure being applied at port B.

**Manual pressure adjustment, type LFA 63 DB... and type LFA 63 DBW...**



**Electrical proportional pressure adjustment, type LFA 63 DBE...**



## Seal kits for cartridge valves type LC...

Nominal size	Material No.		Nominal size	Material No.	
	NBR seals	FKM seals		NBR seals	FKM seals
16	R900313104	R900313107	50	R900873023	R900873026
25	R900313105	R900313108	63	R900873024	R900873027
32	R900313106	R900313109	80	R900314058	R900314067
40	R900873022	R900873025	100	R900314059	R900314068

## Compression springs for cartridge valves type LC...

NS	Spring dimensions in mm	Opening pressure in bar	Material No.	NS	Spring dimensions in mm	Opening pressure in bar	Material No.
16	10.2/1.3 x 40.5/8.0	2.0	R900062747	40	25.9/4.25 x 63.0/6.0	2.0	R900206675
	10.0/1.6 x 38.2/9.0	3.0	R900062753		25.7/4.5 x 68.5/6.0	4.0	R900206673
	9.8/1.7 x 38.0/9.0	4.0	R900062754		24.8/5.3 x 105.0/10.0	8.0 <sup>1)</sup>	R900206671
	9.7/1.9 x 35.7/8.5	5.0	R900062757	50	33.2/5.0 x 82.0/5.5	2.0	R900206684
	9.2/2.4 x 60.5/14.5	8.0 <sup>1)</sup>	R900082073		32.8/5.3 x 92.0/6.5	4.0	R900206681
25	15.3/2.25 x 55.0/8.0	2.0	R900062762	63	31.7/6.5 x 137.0/10.5	8.0 <sup>1)</sup>	R900206680
	14.9/2.7 x 53.4/8.5	3.0	R900062764		40.6/6.5 x 108.0/7.0	2.0	R900206690
	14.7/2.8 x 53.5/8.5	4.0	R900062820	40.7/6.5 x 127.5/7.5	4.0	R900206692	
	14.6/3.0 x 52.5/8.5	5.0	R900062819	80	38.6/8.5 x 183.5/11.5	8.0 <sup>1)</sup>	R900206689
	14.1/3.5 x 78.5/12.0	8.0 <sup>1)</sup>	R900082072		48.5/8 x 138/7.5	2.0	R900012353
32	19.6/2.8 x 69.5/7.5	2.0	R900062813	100	49/8 x 152.5/7.5	4.0	R900024113
	19.2/3.2 x 71.0/8.5	3.0	R900062783		52.3/9.5 x 176/9.5	2.0	R900012385
	19.1/3.4 x 72.0/9.5	4.0	R900062810	100	52.3/9.5 x 195.5/9.5	4.0	R900024483
	19.1/3.5 x 72.8/9.0	5.0	R900062805				
	18.5/4.0 x 109/14.5	8.0 <sup>1)</sup>	R900082071				

<sup>1)</sup> These springs require an additional installation length. When using standard control covers an additional sandwich plate type LFA..D22... must be used.

### ⚠ Exception:

Control cover type "D" can be replaced by type LFA..D8-../F (no sandwich plate required).

## Preferred types (readily available)

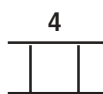
Typ LC (Einbauventil)	Material-Nummer	Typ LFA (Steuerdeckel)	Material-Nummer
LC 16 DB40E7X/	R900912532	LFA 16 DB2-7X/315	R900912757
LC 16 DB40D7X/	R900912547	LFA 32 DB2-7X/315	R900912768
LC 40 DB40E7X/	R900927969	LFA 40 DB2-7X/315	R900927972
LC 40 DB40D7X/	R900938014	LFA 50 DB2-7X/315	R900938163
LC 50 DB40E7X/	R900938041	LFA 63 DB2-7X/315	R900938230
LC 50 DB40D7X/	R900938040		
LC 63 DB40E7X/	R900938070	LFA 16 DBW2-7X/315	R900912805
LC 63 DB40D7X/	R900938069	LFA 25 DBW2-7X/315	R900912810
		LFA 32 DBW2-7X/315	R900912815
		LFA 40 DBW2-7X/315	R900938096
		LFA 50 DBW2-7X/315	R900938191
		LFA 63 DBW2-7X/315	R900938238

Further preferred types and standard components are shown in the EPS (standard price list).

# General notes on the ordering details for control covers

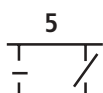
Nominal size								Type <sup>1)</sup>	Adjustment type	Series	Pressure stage in bar for nominal sizes		Seal material	Page
16	25	32	40	50	63	80	100				16 to 32	40 to 100		
•	•	•	•	•	•	•	•			7X				
						•	•			6X				
•	•	•	•	•	•	•	•	DB			025 050 100	025 050 100	For ordering details, see pages giving details of the individual cover variations	18 to 20
•	•	•	•	•	•	•	•	DBW			200 315 420	200 315 400		21 to 25
			•	•	•	•	•	DBS				025; 050; 100; 200; 315; 400		21 to 25
•	•	•	•	•	•	•	•	DBWD			025 050	025 050		26 to 28
•	•	•	•	•	•	•	•	DBU2A			100	100		29 to 32
•	•	•	•	•	•	•	•	DBU2B			200	200		29 to 32
•	•	•	•	•	•	•	•	DBU3D			315 420	315 400		33 to 37
•	•	•	•	•	•	•	•	DBE						38
•	•	•	•	•	•	•	•	DBEM			025; 050; 100; 200; 315; 420	025; 050; 100; 200; 315; 400		39 to 42

<sup>1)</sup> For functions, see selection table on page 15



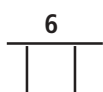
### Adjustment types for pressure relief valves

- 1 = Rotary knob
- 2 = Hexagon with protective cap
- 3 = Lockable rotary knob with scale (H-key to automotive industry standards)
- 4 = Rotary knob with scale, not lockable



### Series

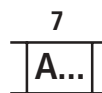
- 7X = Series 70 to 79 and
  - 6X = Series 60 to 69
- (unchanged installation and connection dimensions)



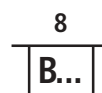
### Pressure stages

Dependent on the nominal size and permissible working pressure of the pilot valve. For further details see ordering details for the control cover.

**Preferred types and standard components can be found in the EPS (Standard Price List).**



Pressure data for DB1, only required for types DBU2 and DBU3D



Pressure data for DB2, only required for type DBU3D

**Ordering example** for type DBU3D  
.../315\* A 100 B 200 (DB max /DB1/DB2)  
\*DB max. always first

The control covers are always fitted with a, optimised on our test rig, standard orifice. Orifice details are therefore not required in the type code. Deviating operating conditions could make it necessary to match the orifice size. The orifices are of the threaded type.

Orifice as shown within the main symbol

## General notes on the ordering details for control covers: pilot control valve (max. operating pressure)

Pilot control valve		Control cover		Max. operating pressure in bar Y, T			Included in type code	Has to be specially ordered
Type	Catalogue sheet No.	NS	Type	X	For pressure control	Static		
DBD. 2 K2X/... <sup>1)</sup>	On request	16 to 32	DB, DBW, DBWD,	420	Zero pressure (up to ≈ 2 bar)	315	•	
DBD. 6 K1X/... <sup>2)</sup>	25 402	40 to 63	DBU2., DBU3D,	400		315	•	
DBD. 10 K1X/... <sup>2)</sup>	25 402	80, 100	DBEM, DBS	400		315	•	
.WE 6 ...	23 178	16 to 63	DBW, DBWD,	350		210 (=); 160 (~)		•
.WE 10 ...	23 327	80, 100	DBU2., DBU3D	315		210 (=); 160 (~)		•
M-3SEW 6 ...	22 058	16 to 63	DBW, DBS	420		100		•
M-3SED 6 ...	22 049	16 to 63	DBW, DBS	315		X-40		•
M-3SEW 10 ...	22 075	80, 100	DBW, DBS	420		100		•
M-3SED 10 ...	22 045	80, 100	DBW, DBS	315		X-40		•
DBET-5X/.G24-1 <sup>3)</sup>	29 165	16 to 32	DBE, DBEM	350		100		•
DBET-5X/.G24...	29 165	40	DBE, DBEM	350		100		•
DBET-5X/.YG24-1 <sup>3)</sup>	On request	50 to 100	DBE, DBEM	350		100		•
DBETR...	On request	16 to 100	auf Anfrage					

<sup>1)</sup> Possible pressure stages: 25, 50, 100, 200, 315, 420

<sup>2)</sup> Possible pressure stages: 25, 50, 100, 200, 315, 400

<sup>3)</sup> Possible pressure stages: 50, 100, 200, 315, 350  
1 = G 1/4 threaded connection T; special poppet



### Note:

By combining a 2-way cartridge valve with a pilot control valve, various valve functions can be obtained.

The following components may be considered with porting pattern form A6 (up to NS 63) and form A10 (NS 80 to 100) DIN 24 340.

**Valve fixing screws** are included within the control cover scope of supply.

## Fixing screws: S.H.C.S. to DIN 912-10.9

Pilot control valve Type	Dimensions	Tightening torque in Nm	Pilot control valve Type	Dimensions	Tightening torque in Nm
M-3SEW 6 ...	M5 x 45	8.9	.WE 6 ...	M5 x 50	8.9
M-3SEW 10 ...	M6 x 40	15.5	.WE 10 ...	M6 x 40	15.5
M-3SED 6 ...	M5 x 50	8.9	DBET ...	M5 x 30	8.9
M-3SED 10 ...	M6 x 40	15.5			

## Technical data (for applications outside these parameters, please consult us!)

Maximum operating pressure	bar	420 <b>⚠ Attention:</b> $p_{max}$ Take the pilot control valve into account!
Pressure fluid		Mineral oil (HL, HLP) to DIN 51 524 <sup>1)</sup> ; Fast bio-degradable pressure fluids to VDMA 24 568 (also see RE 90 221); HETG (rape seed oil) <sup>1)</sup> ; HEPG (polyglycols) <sup>2)</sup> ; HEES (synthetic ester) <sup>2)</sup> ; Other pressure fluids on request
Pressure fluid temperature range	°C	– 30 to + 80 for NBR seals – 20 to + 80 for FKM seals
Viscosity range	mm <sup>2</sup> /s	2.8 to 380
Cleanliness class to ISO code		Maximum permissible degree of contamination of the pressure fluid is to ISO 4406 (C) class 20/18/15 <sup>3)</sup>

<sup>3)</sup> The cleanliness class stated for the components must be adhered to in hydraulic systems. Effective filtration prevents faults from occurring and at the same time increases the component service life.  
For the selection of filters see catalogue sheets RE 50 070, RE 50 076 and RE 50 081.

**Pilot control valves** (selection table)

	Nom. size			Type	Pilot control valve	Manual pressure setting			Symbols (see page 16)	
	16 to 32	40 to 63	80 and 100							
	•	•	•	DB		<b>Without</b> directional valve			①	
• = Available					<b>With</b> directional valve					
					Position "a"	Position "b"				
Directional valve unloading	•	•		DBW	3WE6B9-...	Open	DB function			
					M-3SE.6C...					
	•				4WE6D...	DB function	Open			② ③
					M-3SE.6U...					
	•		•		3WE10B9-...					
			•	4WE10D...	DB function	Open				
	DBS		•		M-3SE.6C...	Open	DB function	④		
						DB function	Open			
			•		M-3SE.6U...	Open	DB function			
				•	M-3SE.10C./...	DB function	Open			
			•	M-3SE.10U./...	Open	DB function				
Isolating function	•	•		DBWD	3WE6B9-...	DB function	Closed	⑤		
			•		3WE10B9-...	Closed	DB function		Open	
	•	•			3WE6A-...					
	•	•			4WE6M...					
			•		3WE10A...					
			•		4WE10M...	Open				
2 pressure stages	•	•		DBU2A	4WE6H...	DBmax. function	Open	DB1 function	⑥	
			•		4WE10H...					
	•	•			4WE6D...	DB1 function	DBmax. function			
			•		4WE10D...					
	•	•		DBU2B	4WE6D...	DB1 function	DBmax. function	—		
		•		4WE10D...						
3 pressure stages	•	•		DBU3D	4WE6H...	DB2 function	Open	DB1 function	⑦	
			•		4WE10H...					
	•	•			4WE6E...		DBmax. function			
			•		4WE10E...					
	•	•			4WE6D...	DB1 function				
			•		4WE10D...					
Proportional pressure setting version										
Proportional valves	•	•		DBE	DBET-5X/...	<b>Without</b> max. pressure safety limitation			⑧	
	•	•		DBEM	DBET-5X/...	<b>With</b> max. pressure safety limitation			⑨	

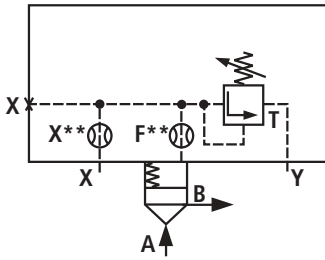
Open = Bypass circuit  
 Closed = Cartridge valve is hydraulically locked  
 DB function = Pressure relief function

# Symbol overview (basic symbols), pressure relief function

Valid symbols are shown in the following type descriptions !

①

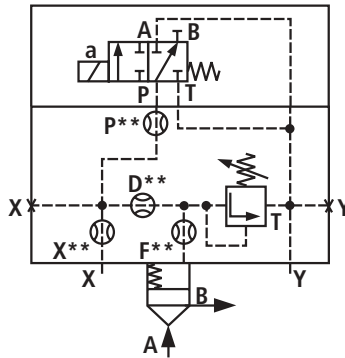
LFA..DB-../..NS16 to 100



See pages 18 to 20

②

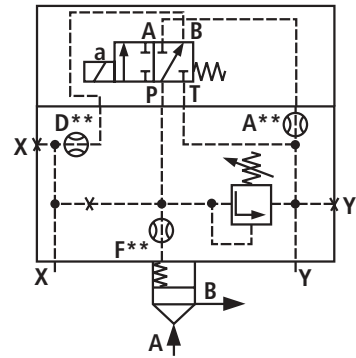
LFA..DBW-../..NS16 to 32



See pages 21, 22

③

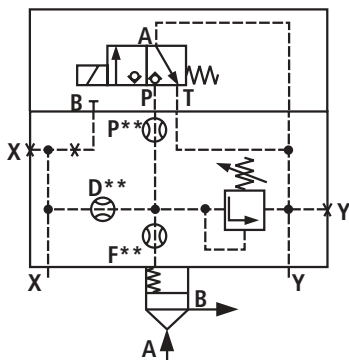
LFA..DBW-../..NS40 to 100



See pages 21 to 25

④

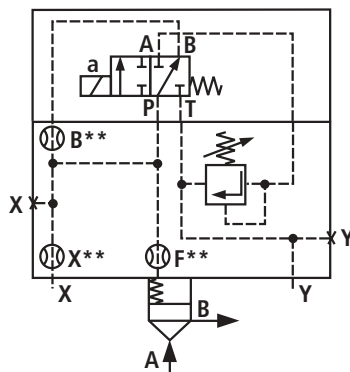
LFA..DBS-../..NS40 to 100



See pages 21 to 25

⑤

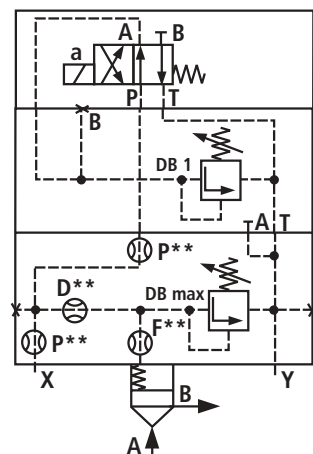
LFA..DBWD-../..NS16 to 100



See pages 26 to 28

⑥

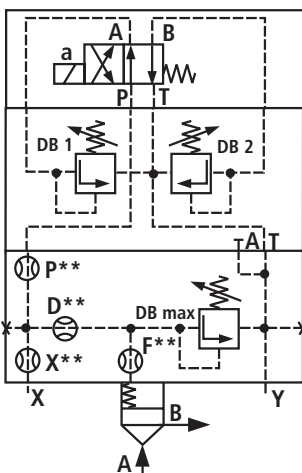
LFA..DBU2A-../..NS16 to 100



See pages 29 to 32

⑦

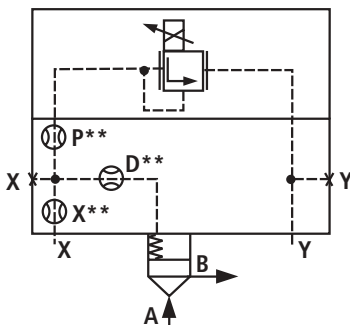
LFA..DBU3D-../..NS16 to 100



See pages 33 to 37

⑧

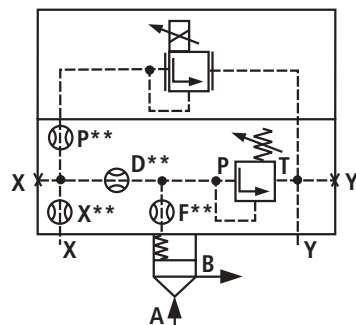
LFA..DBE-../..NS16 to 63



See page 38

⑨

LFA..DBEM-../..NS16 to 100



See pages 39 to 42



## R-rings dimensions for ports X, Y (included within the scope of supply)

NS	Dimensions mm	Material No.	
		NBR	FKM
16	8.41 x 1.40 x 1.78	R900025407	R900025408
25	9.81 x 1.50 x 1.78	R900017453	R900017610
32	11.18 x 1.60 x 1.78	R900017455	R900017611
40, 50	13.00 x 2.30 x 2.62	R900017457	R900017617
63	18.72 x 2.62 x 2.62	R900024445	R900024446
80	26.57 x 3.53 x 3.53	R900017466	R900017630
100	34.52 x 3.53 x 3.53	R900017472	R900017633

## Seal kits for control cover type LFA..

Seal kit for LFA...	Material No.							
	NS 16		NS 25		NS 32		NS 40	
	NBR	FKM	NBR	FKM	NBR	FKM	NBR	FKM
..DB.; DBW.; ..DBS. ..DBWD.; ..DBEM..	R900313955	R900313956	R900313957	R900313958	R900313802	R900313803	R900313722	R900313723
..DBU2.; ..DBU3..	R900313709	R900313710	R900313711	R900313712	R900313713	R900313714	R900885152	R900313716
DBE..	R900313701	R900313702	R900313703	R900313704	R900313705	R900313706	R900313707	R900313708

Seal kit for LFA...	Material No.							
	NS 50		NS 63		NS 80		NS 100	
	NBR	FKM	NBR	FKM	NBR	FKM	NBR	FKM
..DB.; DBW.; ..DBS. ..DBWD.;	R900895786	R900313725	R900313726	R900313727	R900310533		R900313054	
..DBU2.; ..DBU3..	R900313717	R900313718	R900313719	R900313720	R900312090			
..DBE..	R900313897	R900313898	R900313899	R900313700				
..DBEM..	R900313893	R900313894	R900313895	R900313896	R900311930		R900312219	

## Fixing screws (included within the scope of supply)

S.H.C.S. to DIN 912-10.9

NS	Qty.	Dimensions	Tightening torque in Nm
16	4	M 8 x 45	32
25	4	M 12 x 50	110
32	4	M 16 x 60	270
40	4	M 20 x 70	520
50	4	M 20 x 80	520
63	4	M 30 x 100	1800
80	8	M 24 x 120	900
100	8	M 30 x 120	1800

## Orifice thread size

D orifices for type ..DBE.. NS 25 to 63	M8 x 1 tapered
Orifices for NS 80, 100	M8 x 1 tapered (A**, B**, P**, D**) or G 1/4 (X**, F**)
Other built-in orifices	M6 tapered

# Control cover with manual pressure adjustment

## NS 16 to 100

	1	2	3	4	5	6	9
	LFA		DB				
Nom. size 16	Series 7X	= 16					
Nom. size 25		= 25					
Nom. size 32		= 32					
Nom. size 40		= 40					
Nom. size 50		= 50					
Nom. size 63	Series 6X	= 63					
Nom. size 80		= 80					
Nom. size 100		= 100					
<b>Adjustment type</b>							
Rotary knob			= 1				
Hexagon with protective cap			= 2				
Lockable rotary knob with scale (H-key to automotive industry standards)			= 3				
Rotary knob with scale <b>not</b> lockable			= 4				
						6X =	Series 6X (NS 80 and 100)
						7X =	Series 7X (NS 16 to 63)

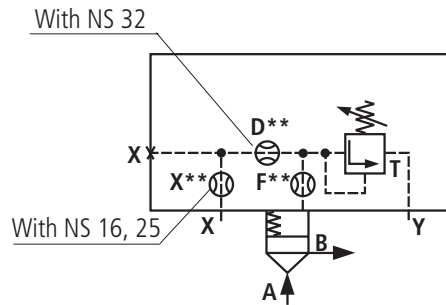
No code = NBR seals  
 V = FKM seals  
 (other seals on request)

**⚠ Attention!**  
 The compatibility of the seals and pressure fluid has to be taken into account!

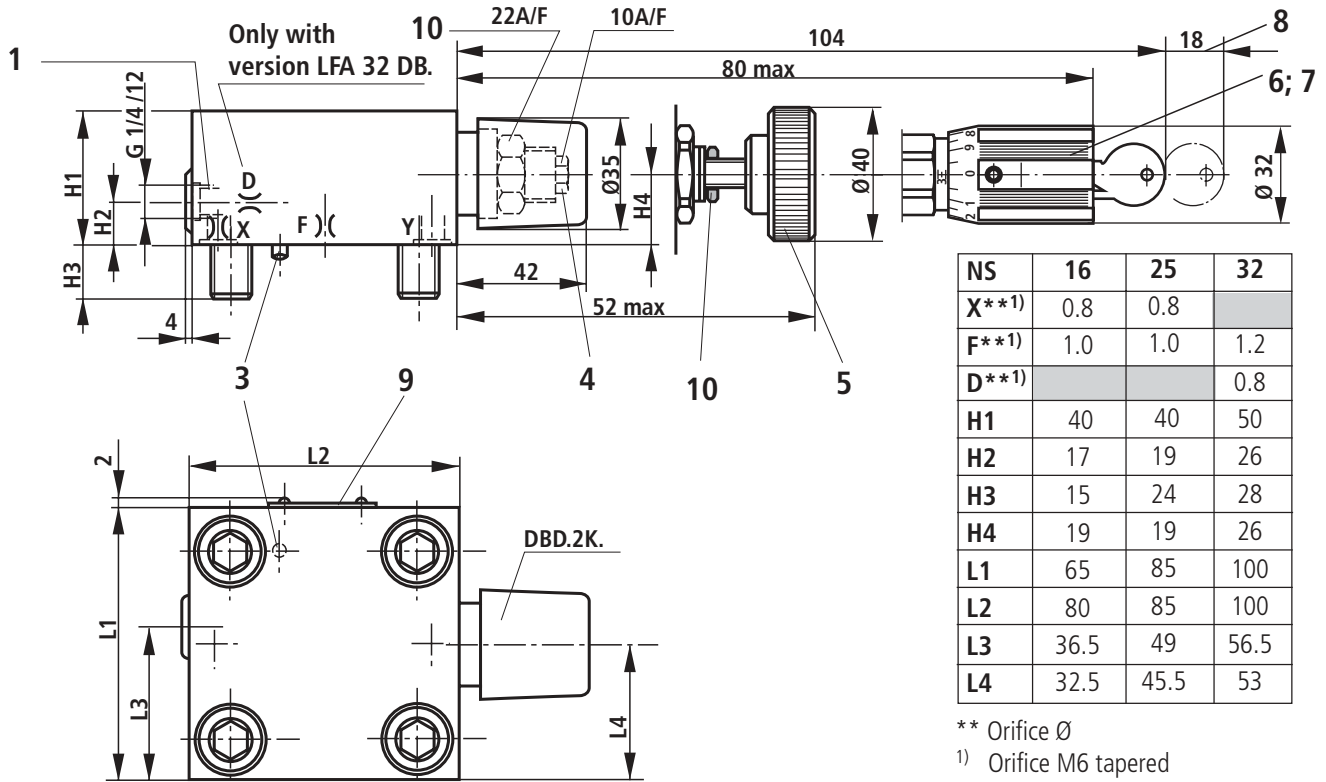
**Pressure stages**

NS 16, 25, 32	NS 40, 50, 63, 80, 100
025 = 25 bar	025 = 25 bar
050 = 50 bar	050 = 50 bar
100 = 100 bar	100 = 100 bar
200 = 200 bar	200 = 200 bar
315 = 315 bar	315 = 315 bar
420 = 420 bar	400 = 400 bar

## NS 16, 25, 32



Dimensions in mm

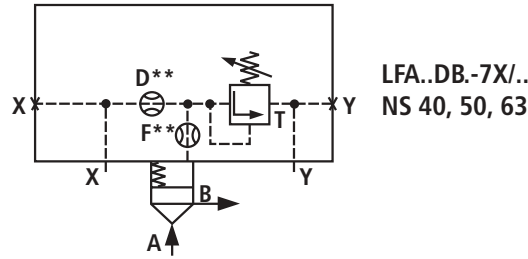


NS	16	25	32
X**1)	0.8	0.8	
F**1)	1.0	1.0	1.2
D**1)			0.8
H1	40	40	50
H2	17	19	26
H3	15	24	28
H4	19	19	26
L1	65	85	100
L2	80	85	100
L3	36.5	49	56.5
L4	32.5	45.5	53

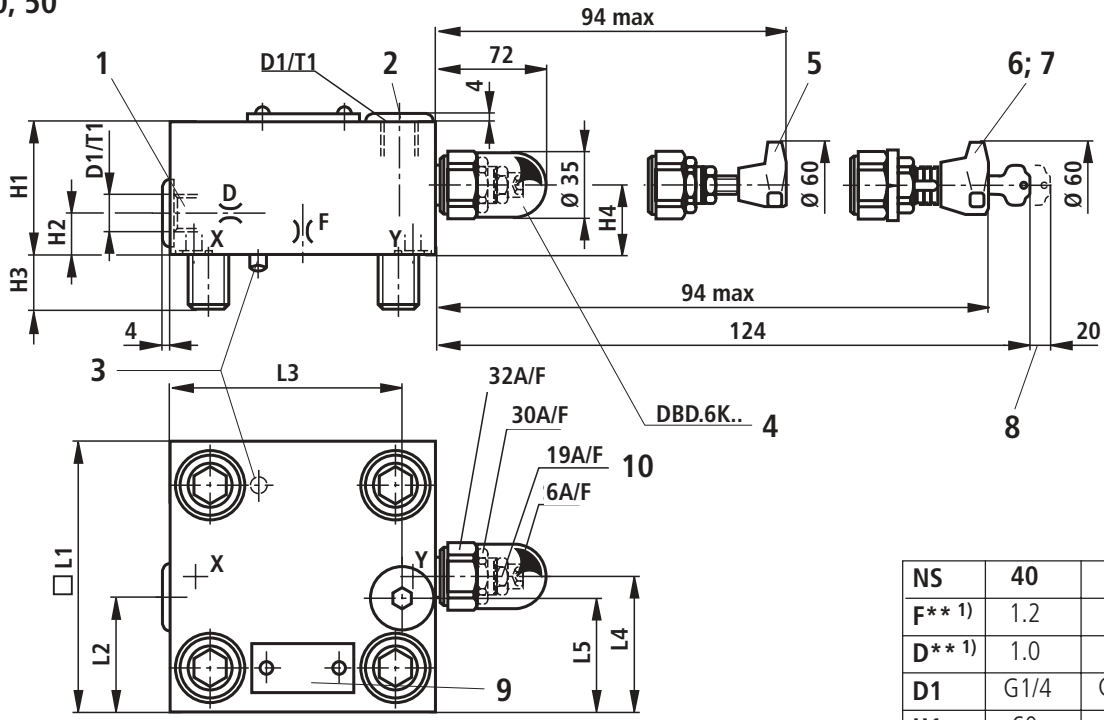
\*\* Orifice Ø  
 1) Orifice M6 tapered

- 1 Port X optionally as threaded port
- 3 Locating pin
- 4 Adjustment type "2"
- 5 Adjustment type "1"
- 6 Adjustment type "3"
- 7 Adjustment type "4"
- 8 Space required to remove the key
- 9 Name plate
- 10 Locknut

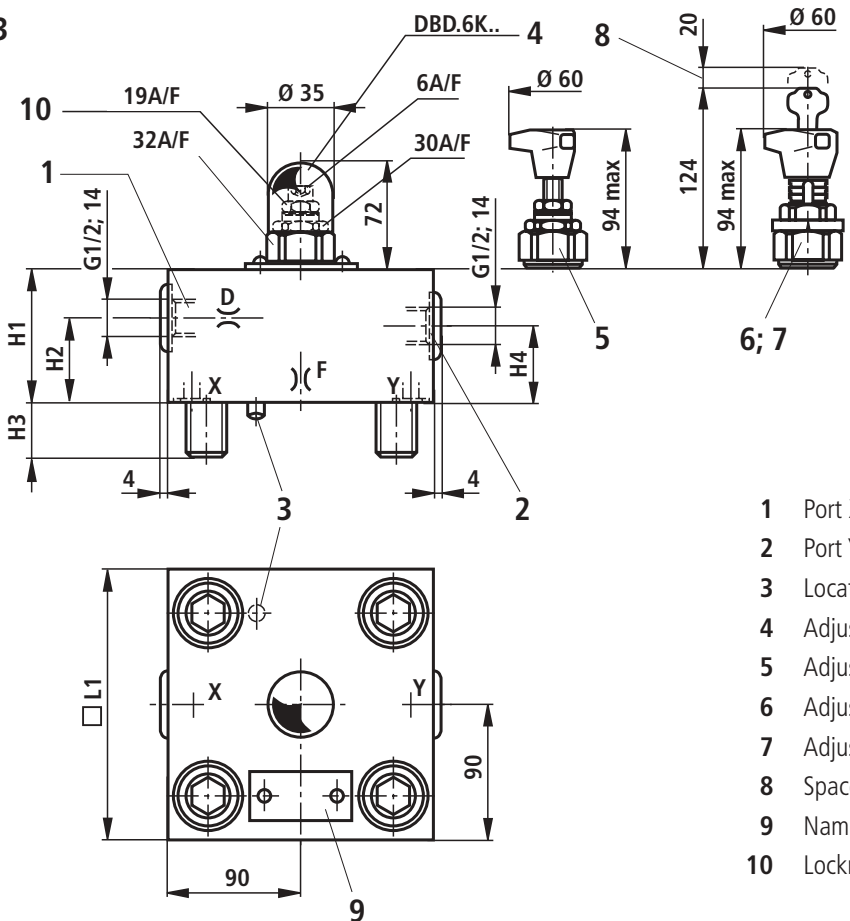
# Control cover with manual pressure adjustment



NS 40, 50



NS 63

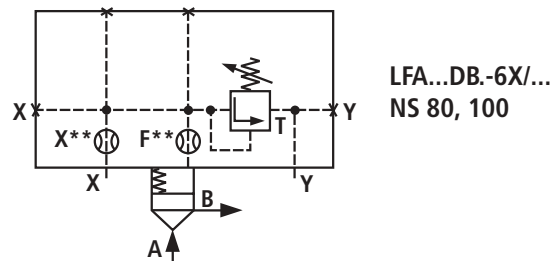


NS	40	50	63
F** 1)	1.2	1.5	2.0
D** 1)	1.0	2.0	2.5
D1	G1/4	G1/2	
H1	60	68	82
H2	28	19.5	30
H3	32	34	50
H4	27	35	45.5
□ L1	125	140	180
L2	69	80	
L3	89	105	
L4	76	84	
L5	60	70	
T1	12	14	

\*\* Orifice Ø  
1) Orifice M6 tapered

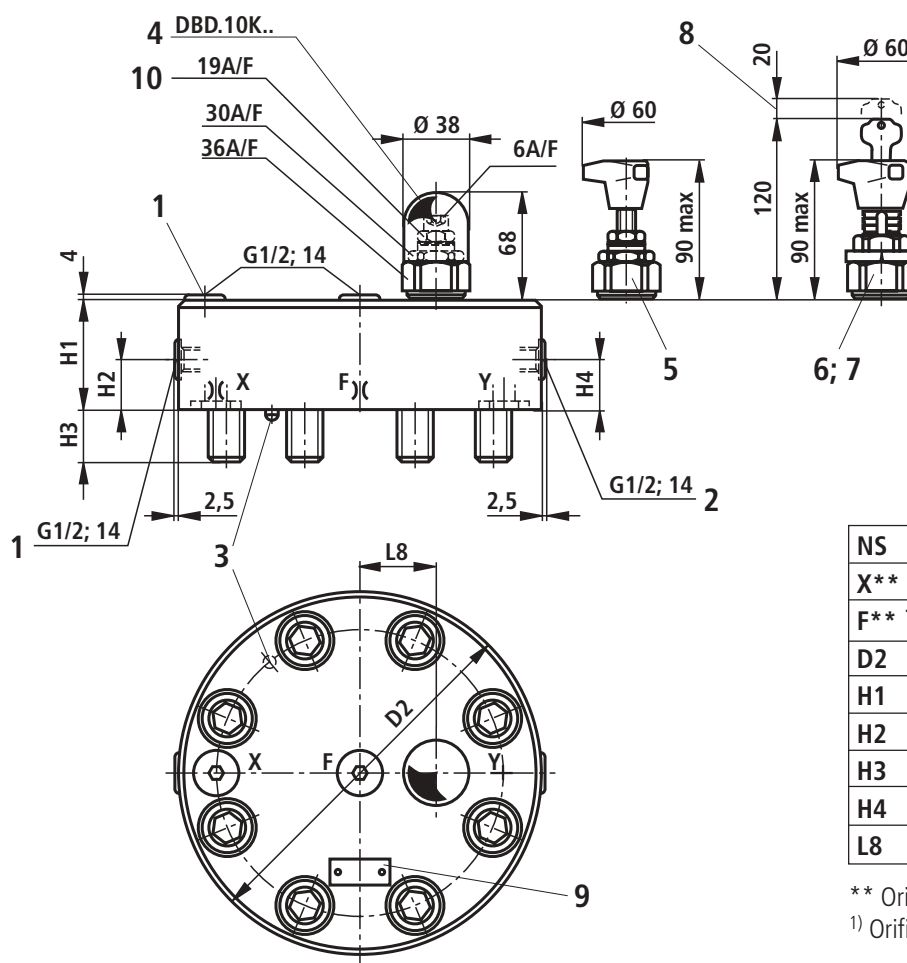
- 1 Port X optionally as a threaded port
- 2 Port Y optionally as a threaded port
- 3 Locating pin
- 4 Adjustment "2"
- 5 Adjustment "1"
- 6 Adjustment "3"
- 7 Adjustment "4"
- 8 Space required to remove the key
- 9 Name plate
- 10 Locknut

## Control cover with manual pressure adjustment



NS 80, 100

Dimensions in mm



- 1 Port X optionally as a threaded port
- 2 Port Y optionally as a threaded port
- 3 Locating pin

- 4 Adjustment type "2"
- 5 Adjustment type "1"
- 6 Adjustment type "3"

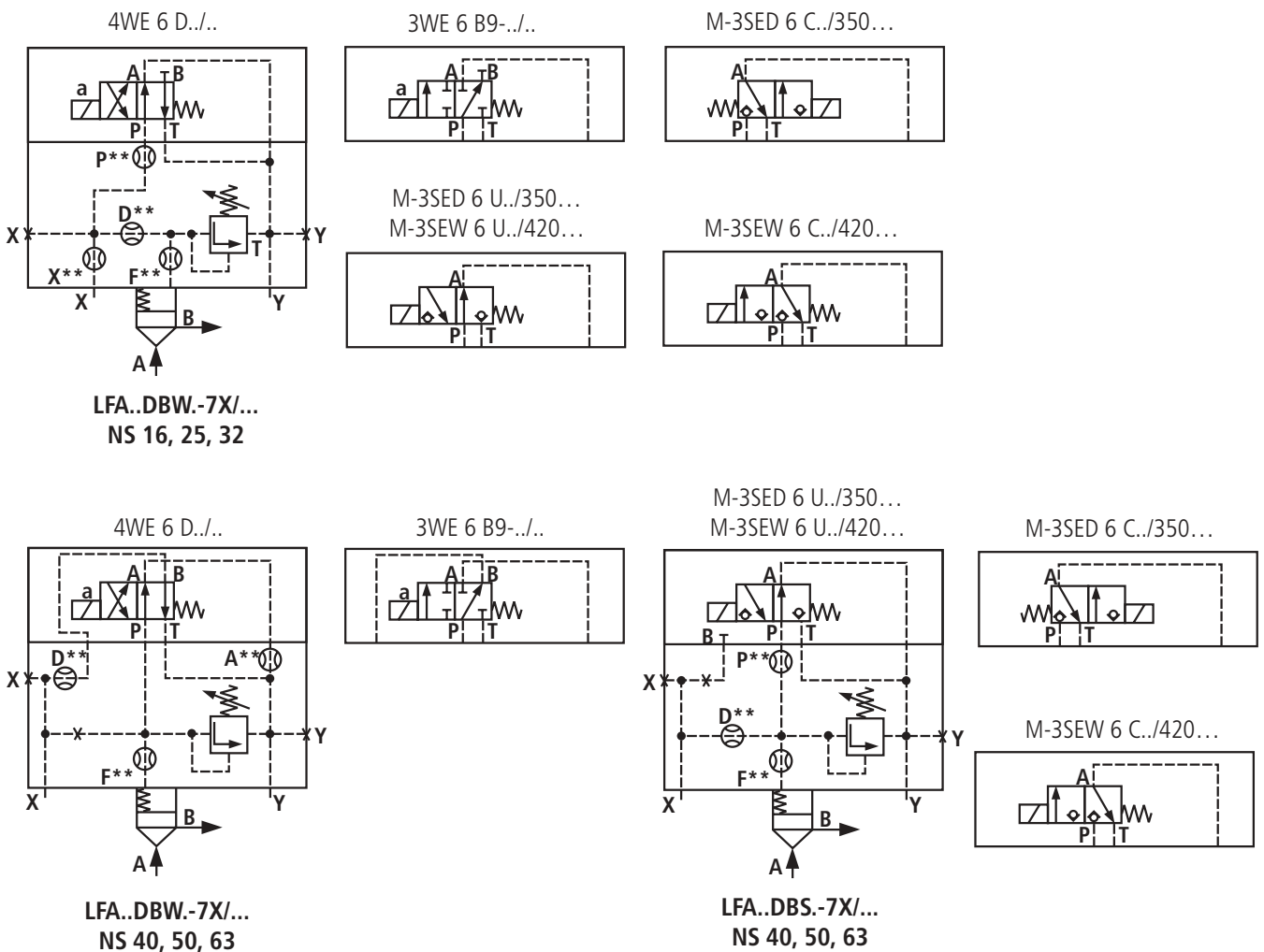
- 7 Adjustment type "4"
- 8 Space required to remove the key
- 9 Name plate
- 10 Locknut

# Control cover with manual pressure adjustment, for electrical unloading

## NS 16 to 100

	1	2	3	4	5	6	9															
	<b>LFA</b>				/																	
NS 16 ] = 16 NS 25 ] = 25 NS 32 Series = 32 NS 40 7X = 40 NS 50 ] = 50 NS 63 ] = 63																						
NS 80 ] Series = 80 NS 100 6X = 100																						
<b>Control cover type</b> For mounting a directional spool (NS 16 to 100) or directional poppet valve (for NS 16, 25, 32) = <b>DBW</b> For mounting a directional poppet valve (for NS 40, 50, 63, 80, 100) = <b>DBS</b>																						
<b>Adjustment type</b> Rotary knob = 1 Hexagon with protective cap = 2 Lockable rotary knob with scale (H-key to automotive industry standards) = 3 Rotary knob with scale <b>not</b> lockable = 4																						
								No code = NBR seals V = FKM seals (other seals on request) <b>⚠ Attention!</b> The compatibility of the seals and pressure fluid has to be taken into account!														
								<b>Pressure stages</b> (take max. perm. pressure of pilot valve into account)														
								<table border="1" style="width: 100%; border-collapse: collapse;"> <tr> <th style="width: 50%;">NS 16, 25, 32</th> <th style="width: 50%;">NS 40, 50, 63, 80, 100</th> </tr> <tr> <td><b>025</b> = 25 bar</td> <td><b>025</b> = 25 bar</td> </tr> <tr> <td><b>050</b> = 50 bar</td> <td><b>050</b> = 50 bar</td> </tr> <tr> <td><b>100</b> = 100 bar</td> <td><b>100</b> = 100 bar</td> </tr> <tr> <td><b>200</b> = 200 bar</td> <td><b>200</b> = 200 bar</td> </tr> <tr> <td><b>315</b> = 315 bar</td> <td><b>315</b> = 315 bar</td> </tr> <tr> <td><b>420</b> = 420 bar</td> <td><b>400</b> = 400 bar</td> </tr> </table>	NS 16, 25, 32	NS 40, 50, 63, 80, 100	<b>025</b> = 25 bar	<b>025</b> = 25 bar	<b>050</b> = 50 bar	<b>050</b> = 50 bar	<b>100</b> = 100 bar	<b>100</b> = 100 bar	<b>200</b> = 200 bar	<b>200</b> = 200 bar	<b>315</b> = 315 bar	<b>315</b> = 315 bar	<b>420</b> = 420 bar	<b>400</b> = 400 bar
NS 16, 25, 32	NS 40, 50, 63, 80, 100																					
<b>025</b> = 25 bar	<b>025</b> = 25 bar																					
<b>050</b> = 50 bar	<b>050</b> = 50 bar																					
<b>100</b> = 100 bar	<b>100</b> = 100 bar																					
<b>200</b> = 200 bar	<b>200</b> = 200 bar																					
<b>315</b> = 315 bar	<b>315</b> = 315 bar																					
<b>420</b> = 420 bar	<b>400</b> = 400 bar																					
								<b>6X</b> = Series 6X (NS 80 and 100) <b>7X</b> = Series 7X (NS 16 to 63)														

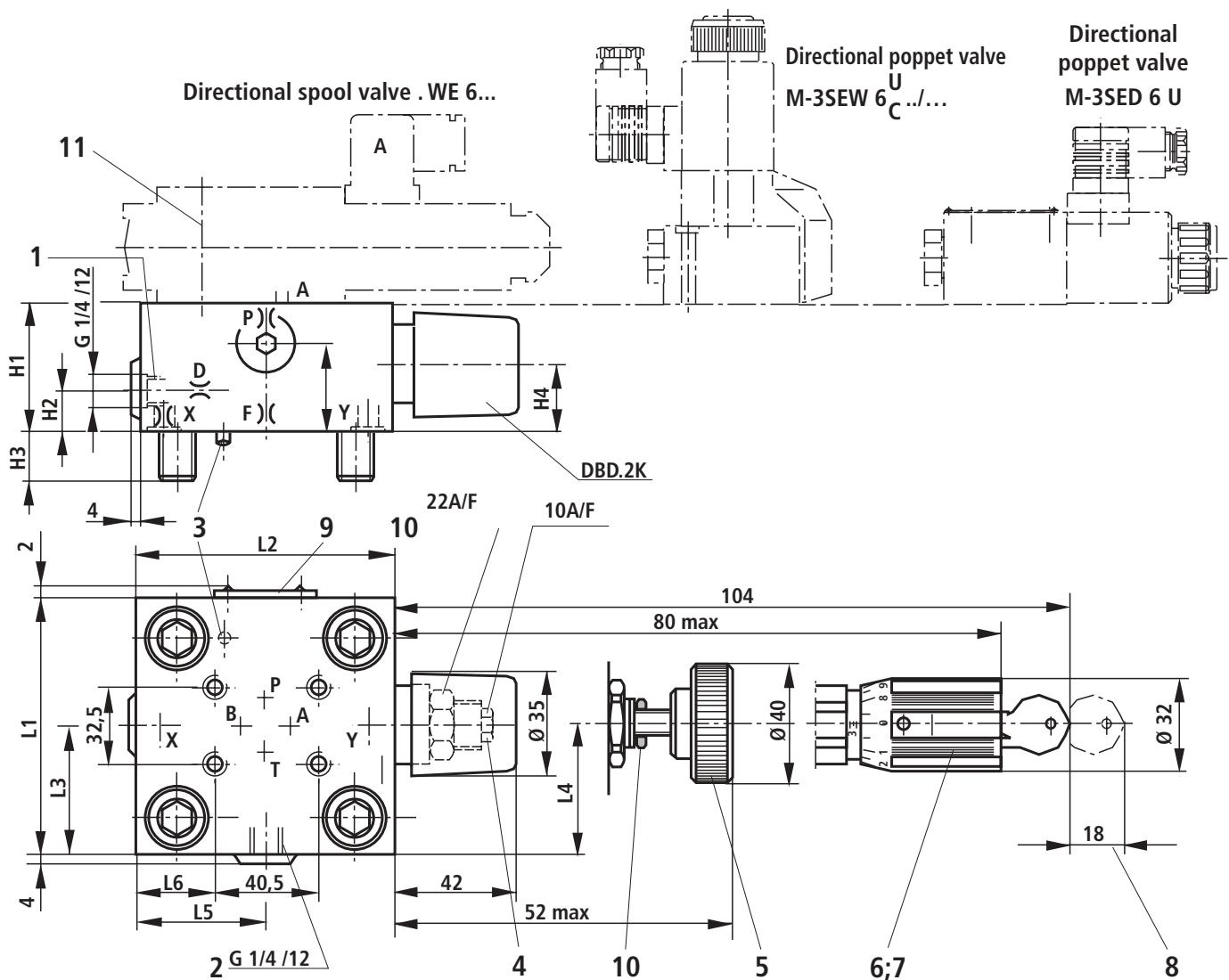
## NS 16 to 63



# Control cover with manual pressure adjustment, for electrical unloading

NS 16, 25, 32

Dimensions in mm



NS	P**1)	X**1)	F**1)	D**1)	H1	H2	H3	H4	H5	L1	L2	L3	L4	L5	L6	L7
16	1.0	0.8	1.0	0.8	40	17	15	19	28	65	80	36.5	32.5	35	7	17
25	1.0	0.8	1.0	0.8	40	19	24	19	28	85	85	49	45.5	36	8	27
32	1.0	1.0	1.2	1.0	50	26	28	26	37	100	100	56.5	53	57	31	34.5

\*\* Orifice Ø

1) Orifice M6 tapered

- 1 Port X optionally as a threaded port
- 2 Port Y optionally as a threaded port
- 3 Locating pin

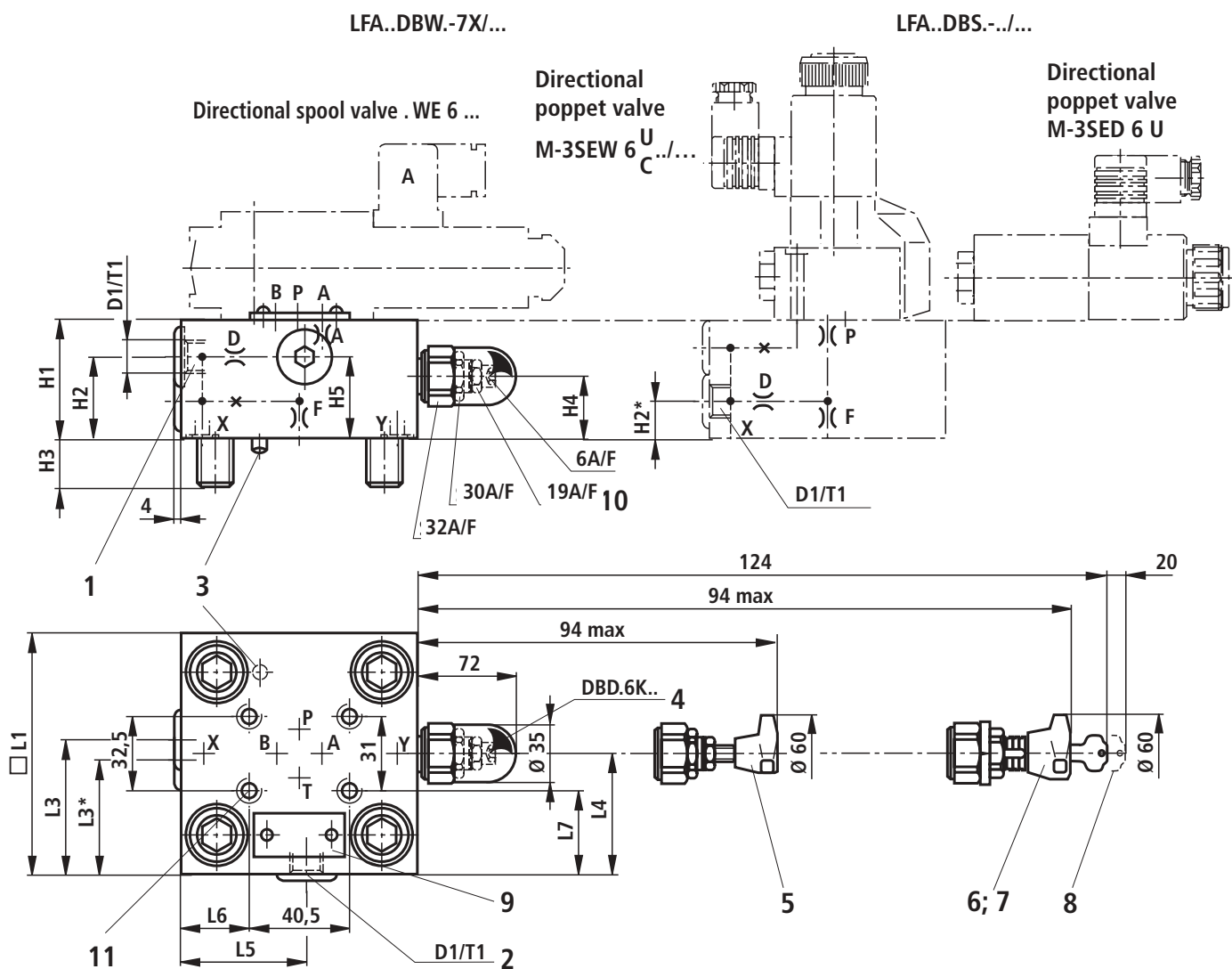
- 4 Adjustment type "2"
- 5 Adjustment type "1"
- 6 Adjustment type "3"
- 7 Adjustment type "4"

- 8 Space required to remove the key
- 9 Name plate
- 10 Locknut
- 11 Valve fixing screws are included within the control cover scope of supply

# Control cover with manual pressure adjustment, for electrical unloading

NS 40, 50

Dimensions in mm



NS	A**1)	P**1)	F**1)	D**1)	D1	T1	H1	H2	H2*	H3	H4	H5	□L1	L3	L3*	L4	L5	L6	L7
40	0.8	1.2	1.2	1.0	G1/4	12	60	46	17	32	27	40	125	62.5	69	76	68	43.5	47
50	0.8	1.5	1.5	2.0	G1/2	14	68	51	19.5	34	35	50	140	67.5	80	84	74.5	51	54.5

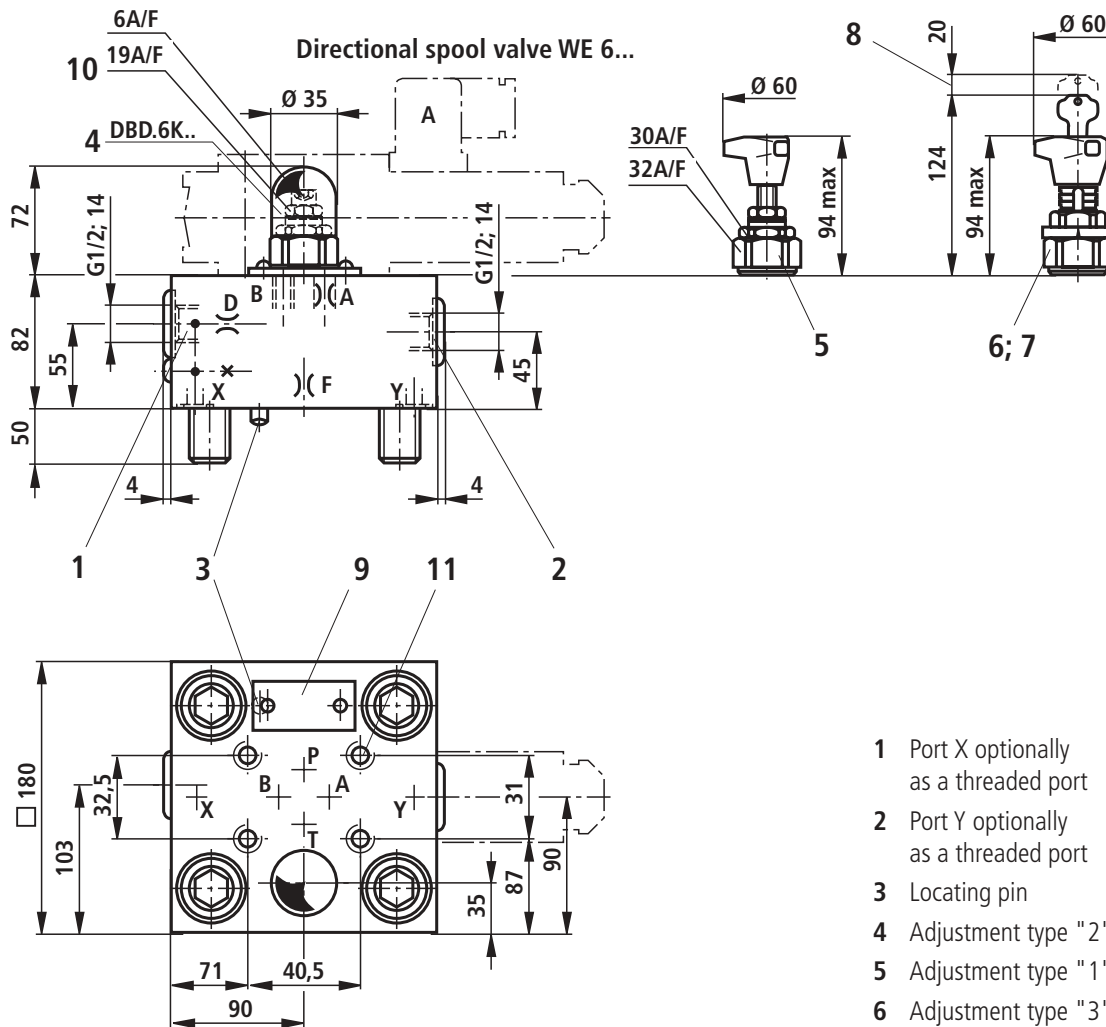
\* Dimensions for control cover LFA..DBS..

\*\* Orifice Ø

1) Orifice M6 tapered

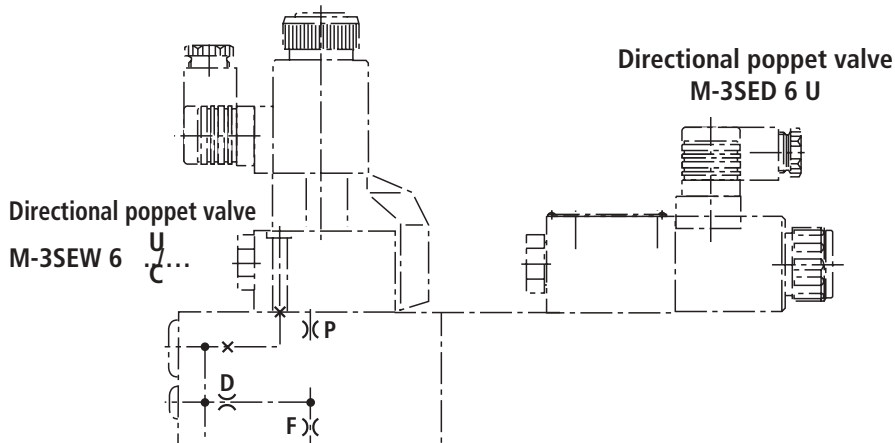
- 1 Port X optionally as a threaded port
- 2 Port Y optionally as a threaded port
- 3 Locating pin
- 4 Adjustment type "2"
- 5 Adjustment type "1"
- 6 Adjustment type "3"
- 7 Adjustment type "4"
- 8 Space required to remove the key
- 9 Name plate
- 10 Locknut
- 11 Valve fixing screws are included within the control cover scope of supply

LFA..DBW.-7X/...



- 1 Port X optionally as a threaded port
- 2 Port Y optionally as a threaded port
- 3 Locating pin
- 4 Adjustment type "2"
- 5 Adjustment type "1"
- 6 Adjustment type "3"
- 7 Adjustment type "4"
- 8 Space required to remove the key
- 9 Name plate
- 10 Locknut
- 11 Valve fixing screws are included within the control cover scope of supply

LFA..DBS.-.../...



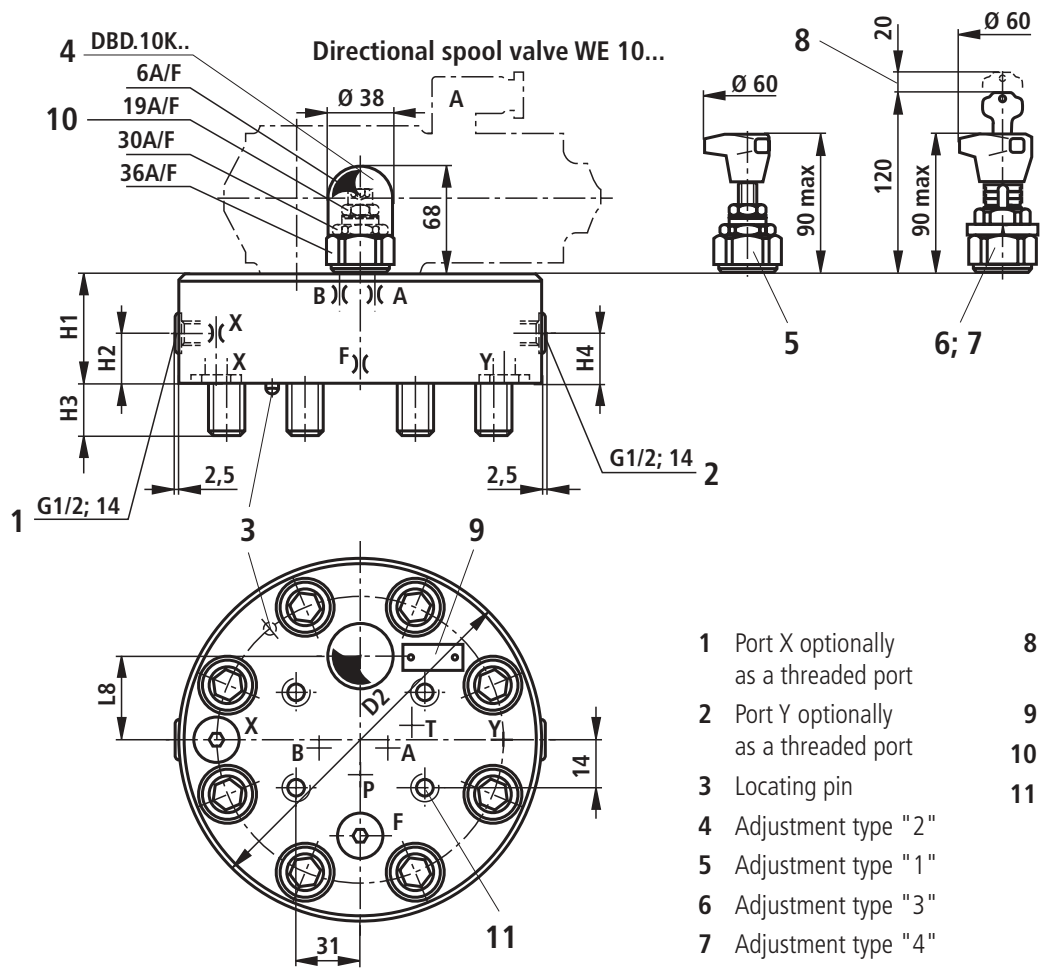
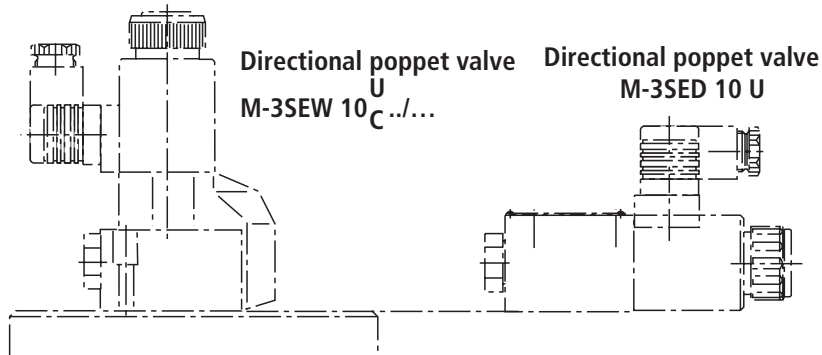
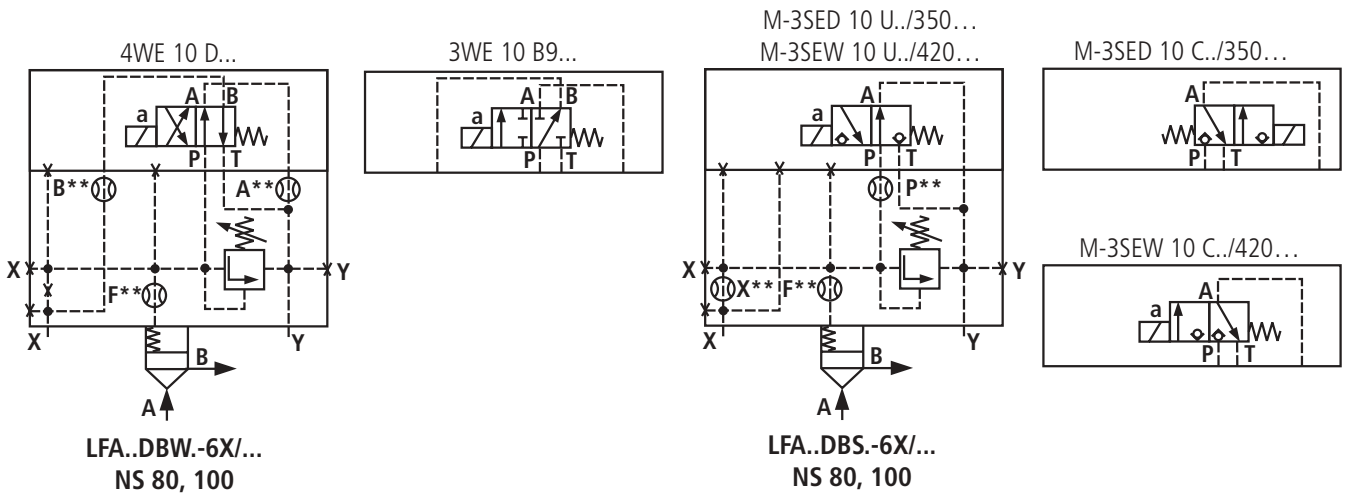
	A**1)	P**1)	F**1)	D**1)
DBW	1.0		2.0	2.5
DBS		1.8	2.0	2.0

\*\* Orifice Ø  
1) Orifice M6 tapered



# Control cover with manual pressure adjustment, for electrical unloading

NS 80, 100



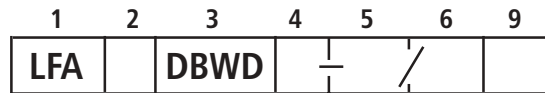
NS	80	100
A**1)	1.2	1.5
B**1)	3.0	3.0
P**1)	3.5	3.5
X**2)	3.0	3.0
F**2)	2.5	2.5
D2	250	300
H1	100	100
H2	30	30
H3	45	51
H4	52	52
L8	75	85

\*\* Orifice Ø  
 1) Orifice M8 x 1 tapered  
 2) Orifice G 1/4 tapered

- 1 Port X optionally as a threaded port
- 2 Port Y optionally as a threaded port
- 3 Locating pin
- 4 Adjustment type "2"
- 5 Adjustment type "1"
- 6 Adjustment type "3"
- 7 Adjustment type "4"
- 8 Space required to remove the key
- 9 Name plate
- 10 Locknut
- 11 Valve fixing screws are included within the control cover scope of supply

# Control cover with manual pressure adjustment, for isolation functions

## NS 16 to 100



NS 16	= 16		
NS 25	= 25		
NS 32	Series = 32	NS 80	Series = 80
NS 40	7X = 40	NS 100	6X = 100
NS 50	= 50		
NS 63	= 63		

No code = NBR seals  
 V = FKM seals  
 (other seals on request)

**⚠ Attention!**  
 The compatibility of the seals and pressure fluid has to be taken into account!

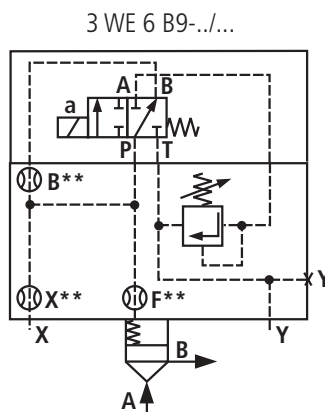
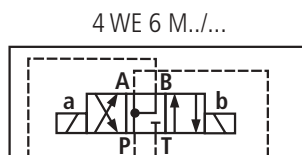
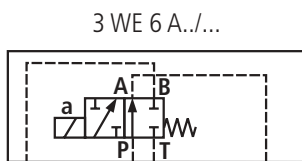
### Adjustment type

Rotary knob	= 1
Hexagon with protective cap	= 2
Lockable rotary knob with scale (H-key to automotive industry standard)	= 3
Rotary knob with scale <b>not</b> lockable	= 4
Series 6X (NS 80 and 100)	= 6X
Series 7X (NS 16 to 63)	= 7X

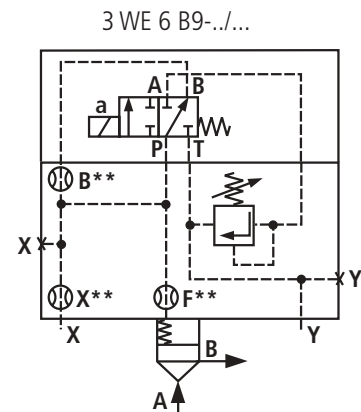
### Pressure stages

(take max. perm. pressure of pilot valve into account)

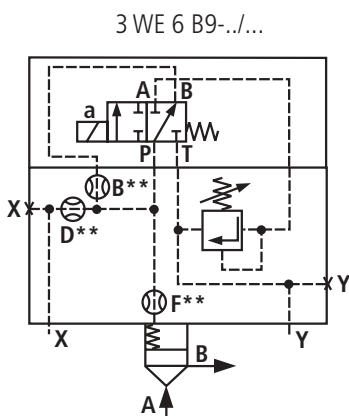
NS 16, 25, 32	NS 40, 50, 63, 80, 100
025 = 25 bar	025 = 25 bar
050 = 50 bar	050 = 50 bar
100 = 100 bar	100 = 100 bar
200 = 200 bar	200 = 200 bar
315 = 315 bar	315 = 315 bar
420 = 420 bar	400 = 400 bar



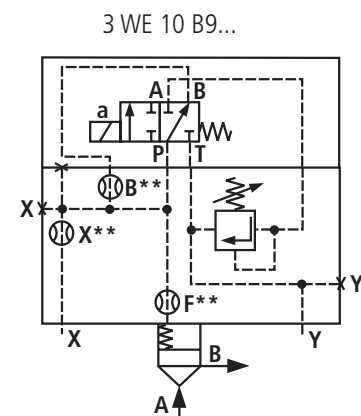
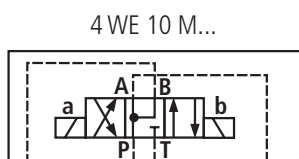
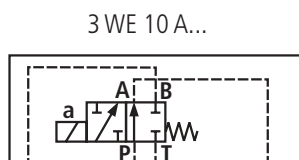
LFA..DBWD.-7X/...  
NS 16



LFA..DBWD.-7X/...  
NS 25, 32



LFA..DBWD.-7X/...  
NS 40, 50, 63

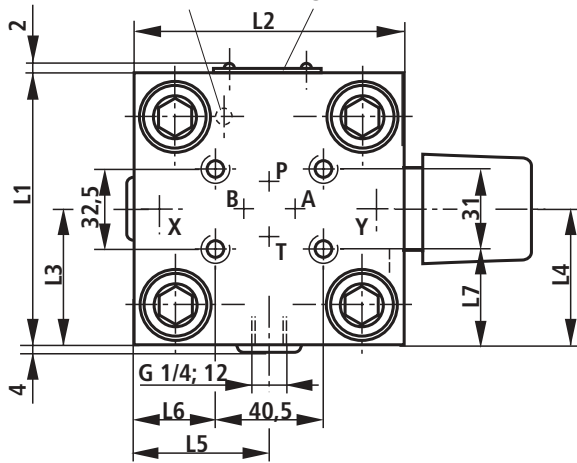
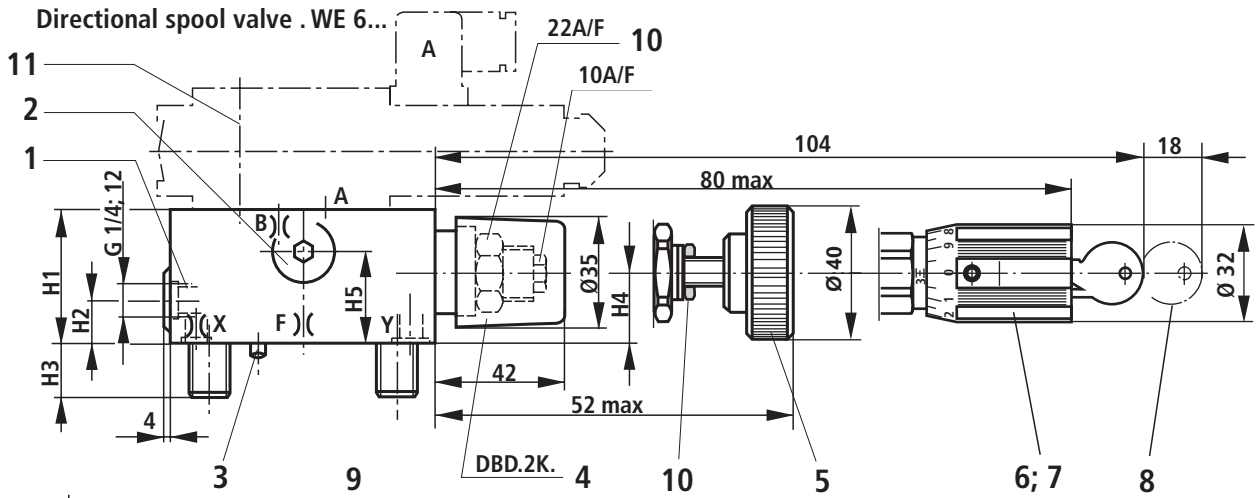


LFA..DBWD.-6X/...  
NS 80, 100

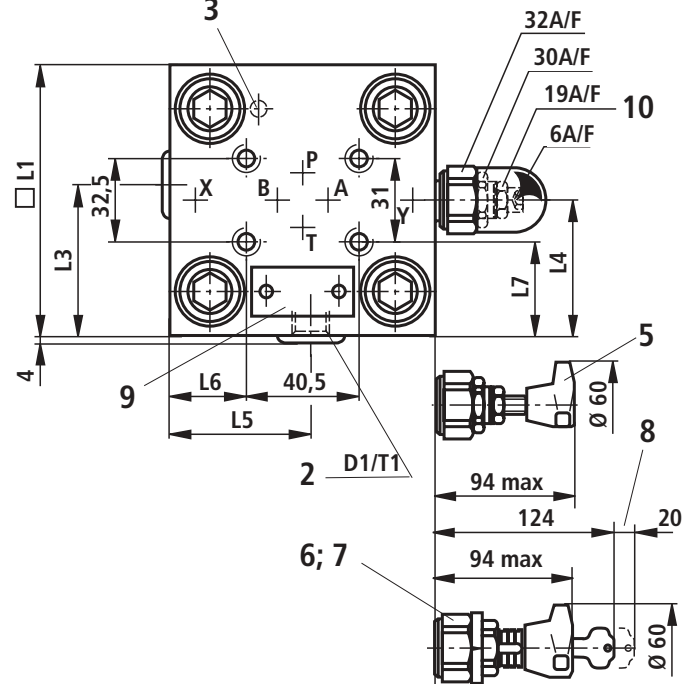
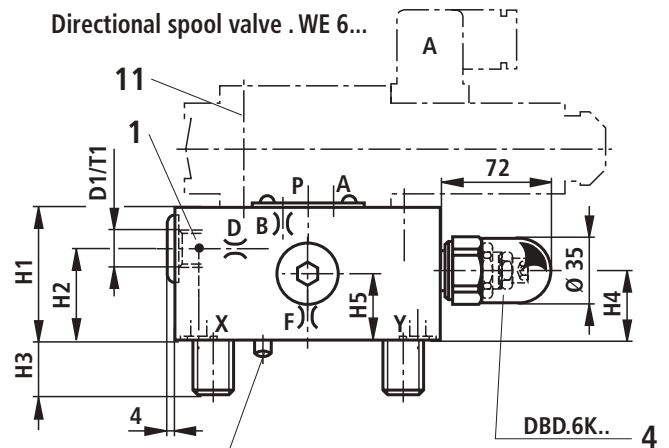
# Control cover with manual pressure adjustment, for isolation functions

NS 16, 25, 32

Dimensions in mm



NS 40, 50



- 1 Port X optionally as a threaded port
- 2 Port Y optionally as a threaded port
- 3 Locating pin
- 4 Adjustment type "2"
- 5 Adjustment type "1"
- 6 Adjustment type "3"
- 7 Adjustment type "4"
- 8 Space required to remove the key
- 9 Name plate
- 10 Locknut
- 11 Valve fixing screws are included within the control cover scope of supply

For dimension table see page 28

# Control cover with manual pressure adjustment, for isolation functions

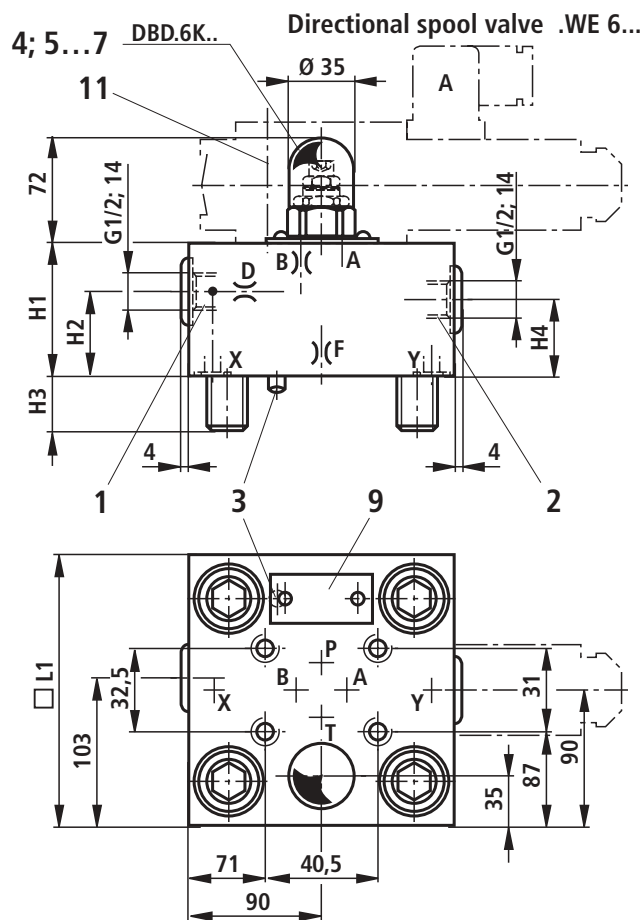
NS	16	25	32	40	50	63	80	100
B**1)	1.0	1.0	1.0	1.2	1.5	1.8	3.5	3.5
X**2)	0.8	0.8	1.0				3.0	3.0
F**2)	1.0	1.0	1.2	1.2	1.5	2.0	2.5	2.5
D**1)				1.0	2.0	2.5		
D1				G 1/4	G 1/2			
D2							250	300
H1	40	40	50	60	68	82	100	100
H2		19	26	46	50	55	67	67
H3	15	24	28	32	34	50	45	51
H4	19	19	26	27	35	45	58	58
H5	28	28	37	16	20			
L1	65	85	100					
□L1				125	140	180		
L2	80	85	100					
L3		49	56.5	62.5	70			
L4	32.5	45.5	53	76	84			
L5	35	36	57	68	75			
L6	7	8	31	43.5	51			
L7	17	27	34.5	47	54.5			
L8							75	85
T1				12	14			

\*\* Orifice Ø

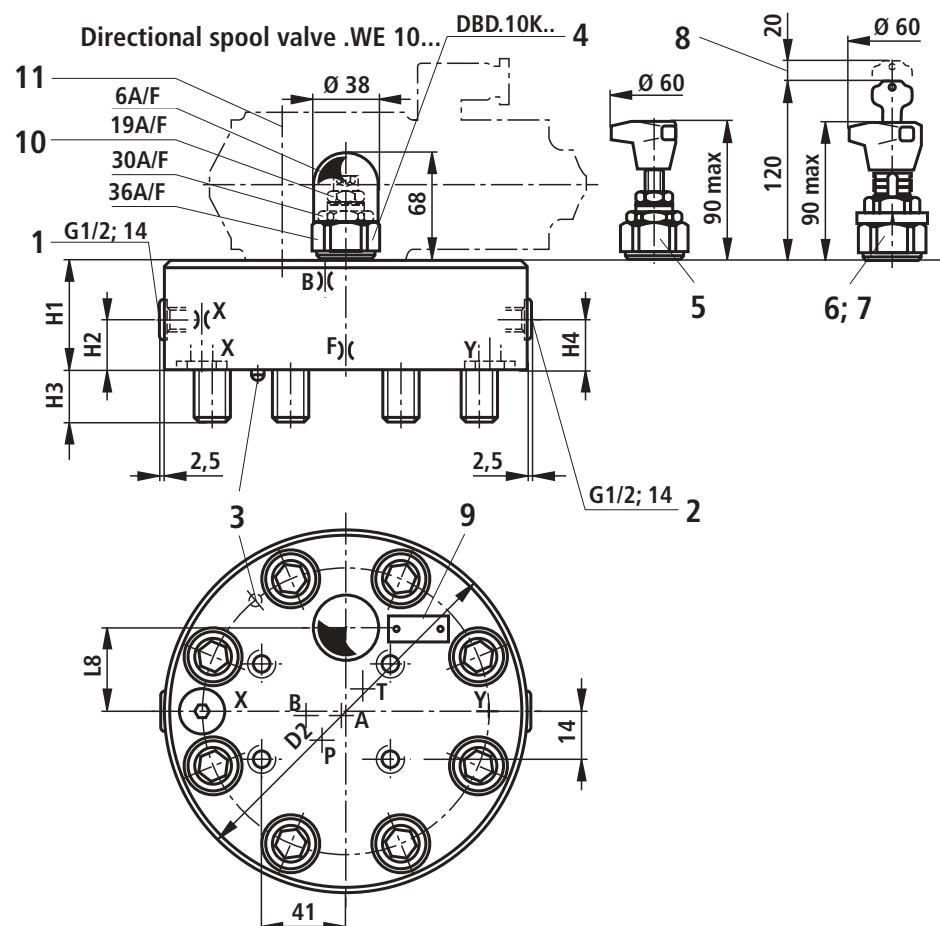
- 1) Orifice M6 tapered (NS 16...63) or M8 x 1 tapered (NS 80 and 100)
- 2) Orifice M6 tapered (NS 16...63) or G 1/4 tapered (NS 80 and 100)

## NS 63

Dimensions in mm



## NS 80, 100



- 1 Port X optionally as a threaded port
- 2 Port Y optionally as a threaded port
- 3 Locating pin
- 4 Adjustment type "2"
- 5 Adjustment type "1"
- 6 Adjustment type "3"
- 7 Adjustment type "4"
- 8 Space required to remove the key
- 9 Name plate
- 10 Locknut
- 11 Valve fixing screws are included within the control cover scope of supply

# Control cover with 2 manual pressure adjusters, electrically selectable

## NS 16 to 100

NS 16	= 16							
NS 25	= 25							
NS 32	Series = 32	NS 80	Series = 80					
NS 40	7X = 40	NS 100	6X = 100					
NS 50	= 50							
NS 63	= 63							

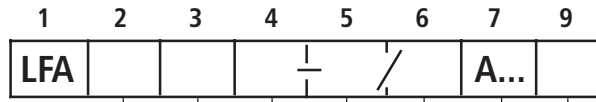
### Control cover type

De-energised - DB1 (4 WE.. D)	= DBU2A
De-energised - open (4 WE.. H)	
De-energised - DB max. (4 WE.. D)	= DBU2B

(see symbols)

### Adjustment type (details only required for DB1)

Rotary knob	= 1
Hexagon with protective cap	= 2
Lockable rotary knob with scale	= 3
(H-key to automotive industry standards)	
Rotary knob with scale <b>not</b> lockable	= 4



No code = NBR seals  
 V = FKM seals  
 (other seals on request)

**⚠ Attention!**  
 The compatibility of the seals and pressure fluid has to be taken into account!

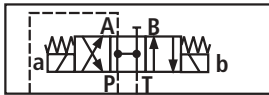
### Pressure stages

(take max. perm. pressure of pilot valve into account)

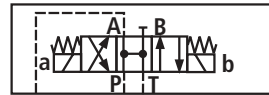
NS 16, 25, 32	NS 40, 50, 63, 80, 100
025 = 25 bar	025 = 25 bar
050 = 50 bar	050 = 50 bar
100 = 100 bar	100 = 100 bar
200 = 200 bar	200 = 200 bar
315 = 315 bar	315 = 315 bar
420 = 420 bar	400 = 400 bar

6X = Series 6X (NS 80 and 100)  
 7X = Series 7X (NS 16 to 63)

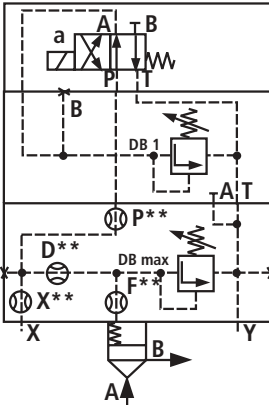
4 WE 6 H../...



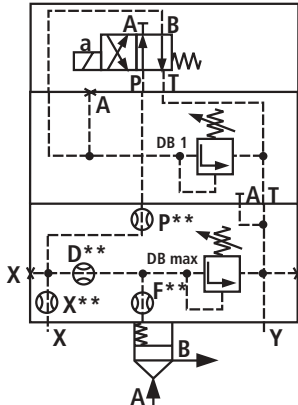
4 WE 6 H../...



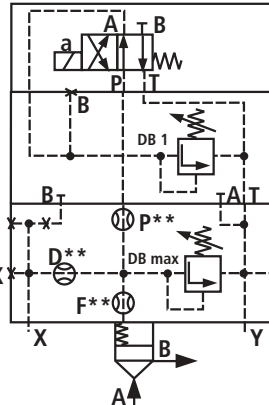
4 WE 6 D../...



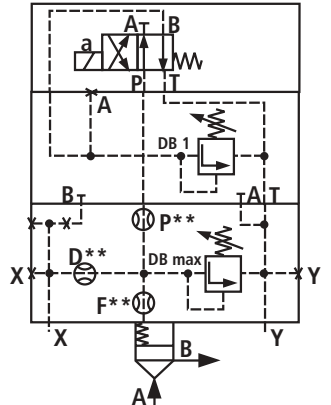
4 WE 6 D../...



4 WE 6 D../...



4 WE 6 D../...



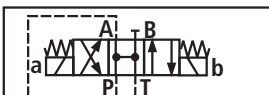
LFA..DBU2A.-7X...  
NS 16, 25, 32

LFA..DBU2B.-7X...  
NS 16, 25, 32

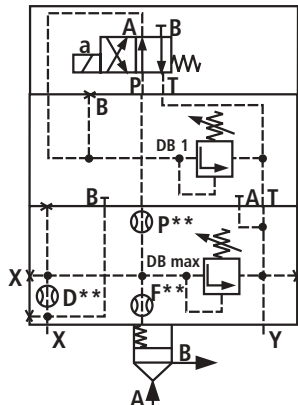
LFA..DBU2A.-7X...  
NS 40, 50, 63

LFA..DBU2B.-7X...  
NS 40, 50, 63

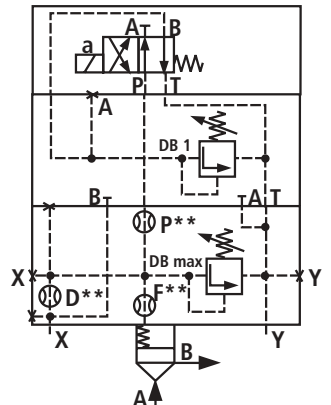
4 WE 10 H../...



4 WE 10 D../...



4 WE 10 D../...

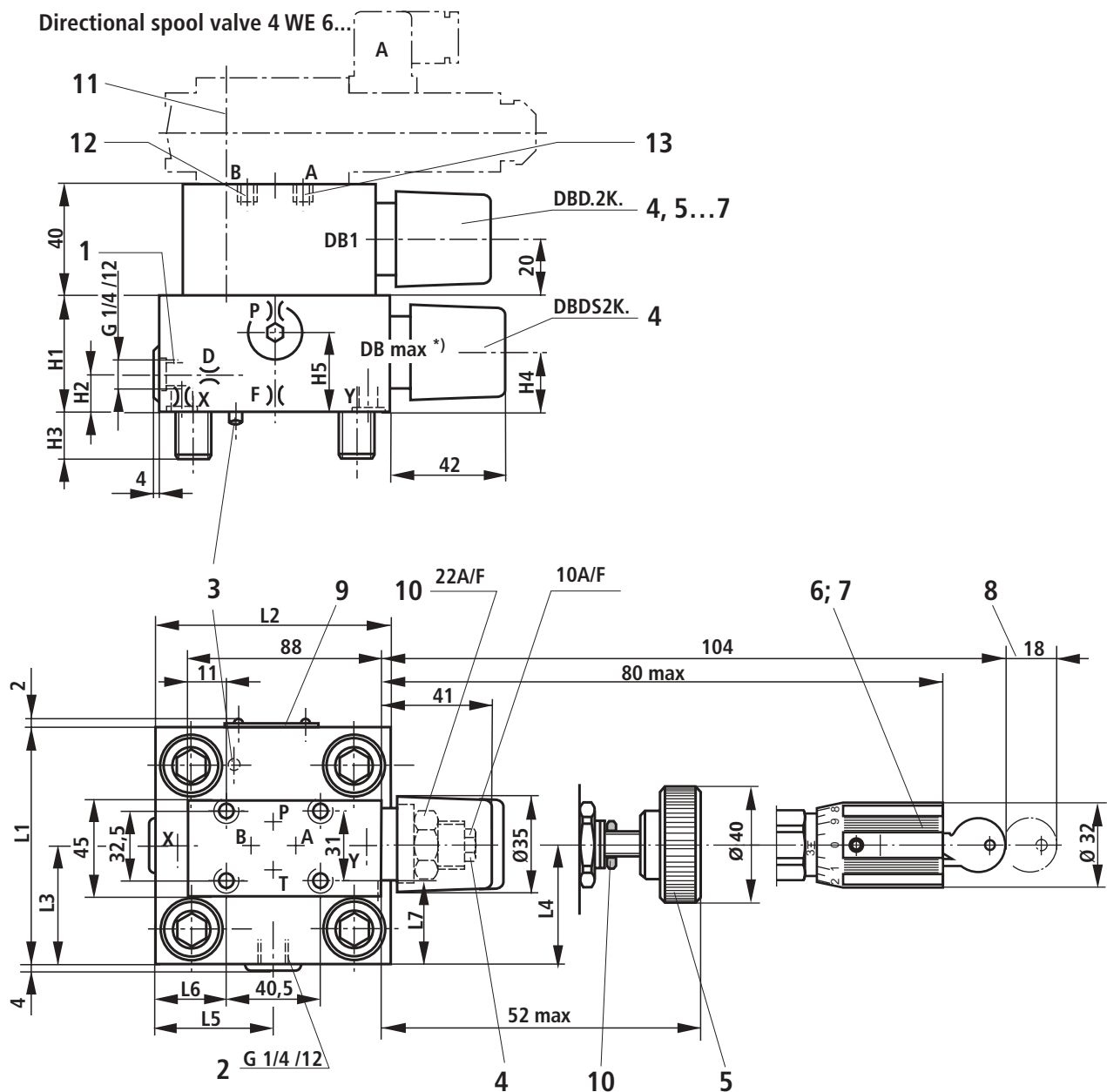


LFA...DBU2A.-6X...  
NS 80, 100

LFA...DBU2B.-6X...  
NS 80, 100

# Control cover with 2 manual pressure adjusters, electrically selectable

NS 16, 25, 32



NS	P**1)	X**1)	F**1)	D**1)	H1	H2	H3	H4	H5	L1	L2	L3	L4	L5	L6	L7
16	1.0	0.8	1.0	0.8	40	17	15	19	28	65	80	36.5	32.5	35	7	17
25	1.0	0.8	1.0	0.8	40	19	24	19	28	85	85	49	45.5	36	8	27
32	1.0	1.0	1.2	1.0	50	26	28	26	37	100	100	56.5	53	57	31	34.5

\*\* Orifice Ø

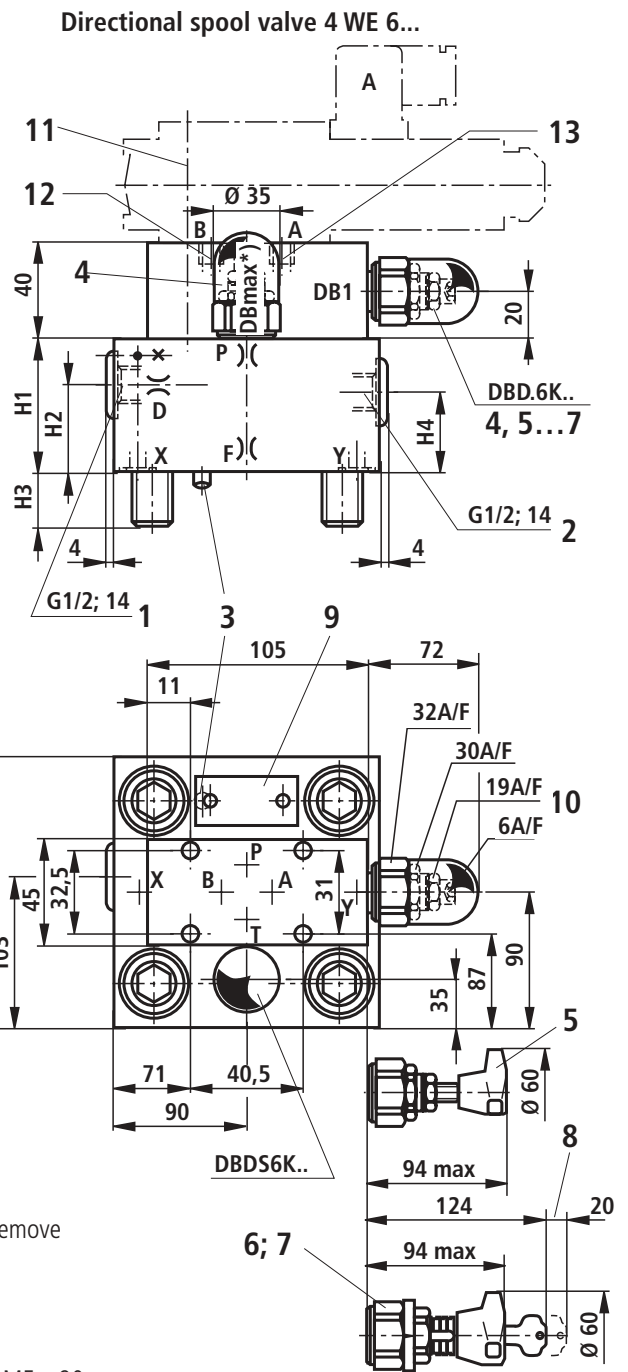
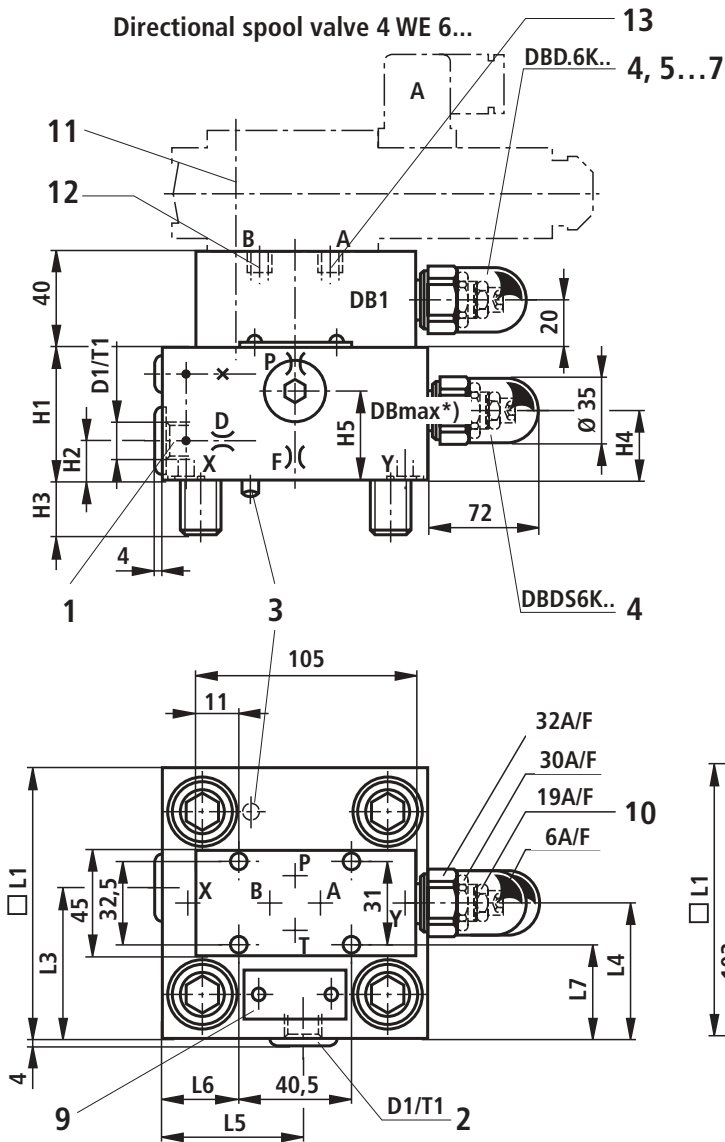
1) Orifice M6 tapered

- 1 Port X optionally as a threaded port
  - 2 Port Y optionally as a threaded port
  - 3 Locating pin
  - 4 Adjustment type "2"
  - 5 Adjustment type "1"
  - 6 Adjustment type "3"
  - 7 Adjustment type "4"
  - 8 Space required to remove the key
  - 9 Name plate
  - 10 Locknut
  - 11 Valve fixing screws M5 x 90 are included within the scope of the control cover supply
  - 12 Plug M6 tapered for ..DBU 2A..
  - 13 Plug M6 tapered for ..DBU 2B..
- \*) For DB max. only adjustment type "2" is possible

# Control cover with 2 manual pressure adjusters, electrically selectable

NS 40, 50

NS 63



- 1 Port X optionally as a threaded port
- 2 Port Y optionally as a threaded port
- 3 Locating pin
- 4 Adjustment type "2"
- 5 Adjustment type "1"
- 6 Adjustment type "3"
- 7 Adjustment type "4"

- 8 Space required to remove the key
- 9 Name plate
- 10 Locknut
- 11 Valve fixing screws M5 x 90 are included within the control cover scope
- 12 Plug M6 tapered for ..DBU 2A..
- 13 Plug M6 tapered for ..DBU 2B..

\*) For DB max. only adjustment type "2" is possible

NS	P**1)	F**1)	D**1)	D1	H1	H2	H3	H4	H5	□ L1	L3	L4	L5	L6	L7	T1
40	1.2	1.2	1.0	G1/4	60	17	32	27	40	125	69	76	68	43.5	47	12
50	1.5	1.5	2.0	G1/2	68	19.5	34	35	50	140	80	84	74.5	51	54.5	14
63	2.5	2.0	2.5		82	55	50	45		180						

\*\* Orifice Ø

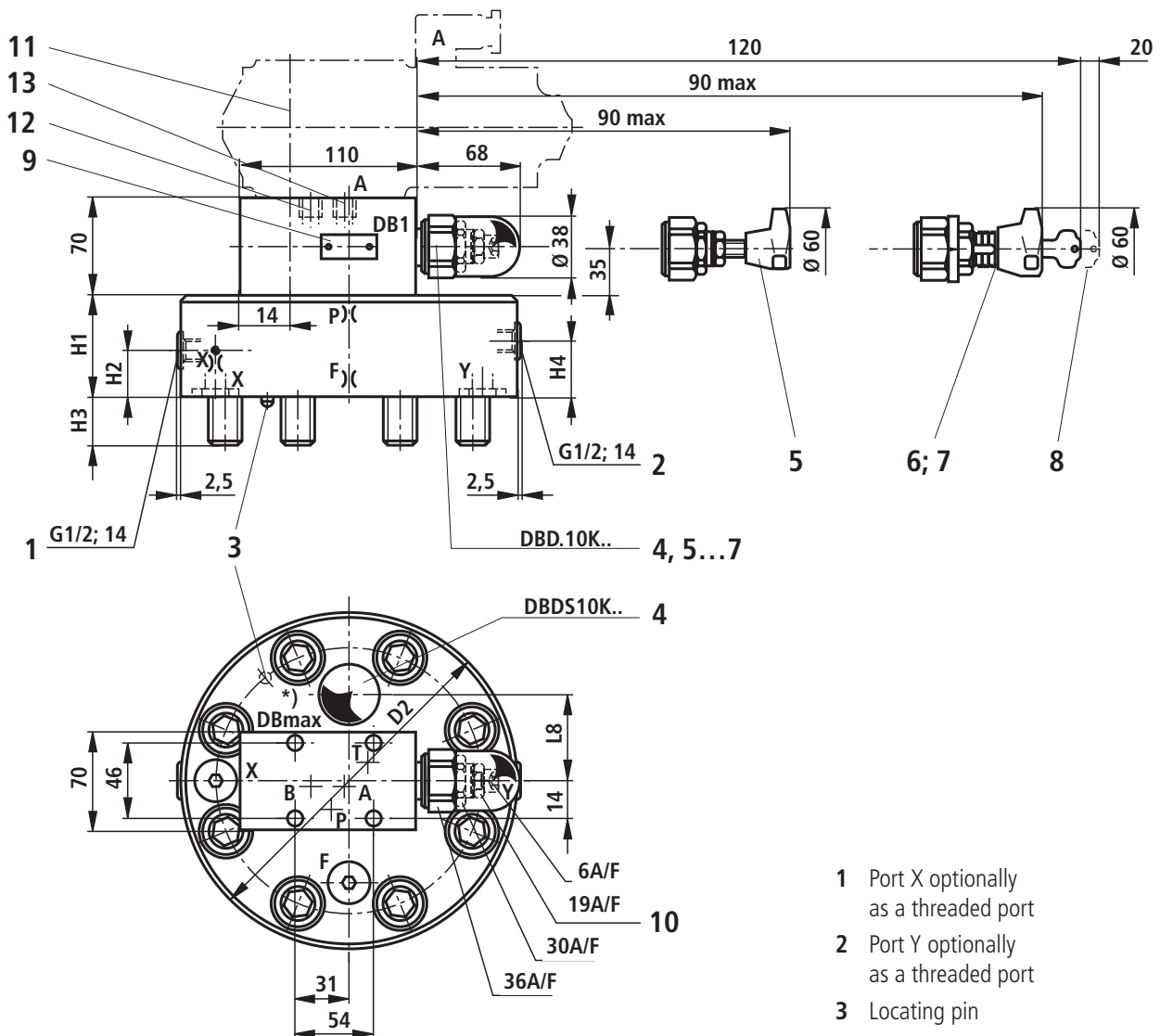
1) Orifice M6 tapered

# Control cover with 2 manual pressure adjusters, electrically selectable

NS 80, 100

Dimensions in mm

## Directional spool valve 4 WE 10...



- 1 Port X optionally as a threaded port
- 2 Port Y optionally as a threaded port
- 3 Locating pin
- 4 Adjustment type "2"
- 5 Adjustment type "1"
- 6 Adjustment type "3"
- 7 Adjustment type "4"
- 8 Space required to remove the key
- 9 Name plate
- 10 Locknut
- 11 Valve fixing screws are included within the control cover scope of supply
- 12 Plug M8 x 1 tapered for ...DBU2A...
- 13 Plug M8 x 1 tapered for ...DBU2B...
- \*) For DB max. only adjustment type "2" is possible

NS	P**1)	X**2)	F**2)	D2	H1	H2	H3	H4	L8
80	3.5	3.0	2.5	250	100	30	45	52	75
100	3.5	3.0	2.5	300	100	30	51	52	85

\*\* Orifice Ø

1) Orifice M8 x1 tapered

2) Orifice G 1/4 tapered



# Control cover with 3 manual manual pressure adjusters, electrically selectable

## NS 16 to 100

	1	2	3	4	5	6	7	8	9
	<b>LFA</b>		<b>DBU3D</b>		/		<b>A...</b>	<b>B...</b>	
Nom. size 16	= <b>16</b>								
Nom. size 25	= <b>25</b>								
Nom. size 32	= <b>32</b>								
Nom. size 40	= <b>40</b>								
Nom. size 50	= <b>50</b>								
Nom. size 63	= <b>63</b>								
Nom. size 80	= <b>80</b>								
Nom. size 100	= <b>100</b>								

**Series 7X**

Nom. size 16 = 16

Nom. size 25 = 25

Nom. size 32 = 32

Nom. size 40 = 40

Nom. size 50 = 50

Nom. size 63 = 63

**Series 6X**

Nom. size 80 = 80

Nom. size 100 = 100

**Adjustment type** (details only for DB1 or DB2)\*

Rotary knob = **1**

Hexagon with protective cap = **2**

Lockable rotary knob with scale (H-key to automotive industry standards) = **3**

Rotary knob with scale **not** lockable = **4**

Series 6X (NS 80 and 100) = **6X**

Series 7X (NS 16 to 63) = **7X**

**No code =** NBR seals

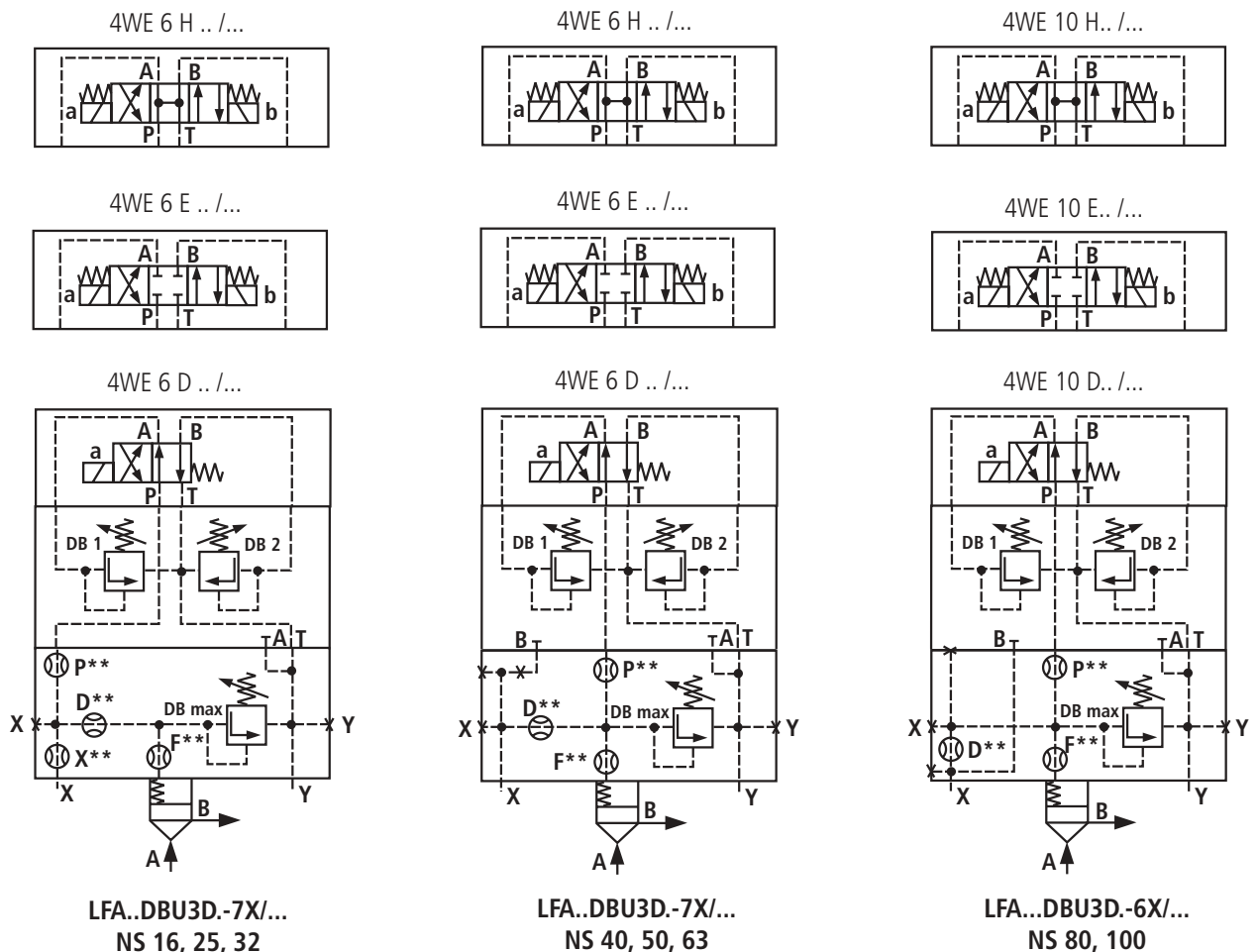
**V =** FKM seals (other seals on request)

**Attention!**  
The compatibility of the seals and pressure fluid has to be taken into account!

**Pressure stages**  
(take max. perm. pressure of pilot valve into account)

NS 16, 25, 32	NS 40, 50, 63, 80, 100
<b>025</b> = 25 bar	<b>025</b> = 25 bar
<b>050</b> = 50 bar	<b>050</b> = 50 bar
<b>100</b> = 100 bar	<b>100</b> = 100 bar
<b>200</b> = 200 bar	<b>200</b> = 200 bar
<b>315</b> = 315 bar	<b>315</b> = 315 bar
<b>420</b> = 420 bar	<b>400</b> = 400 bar

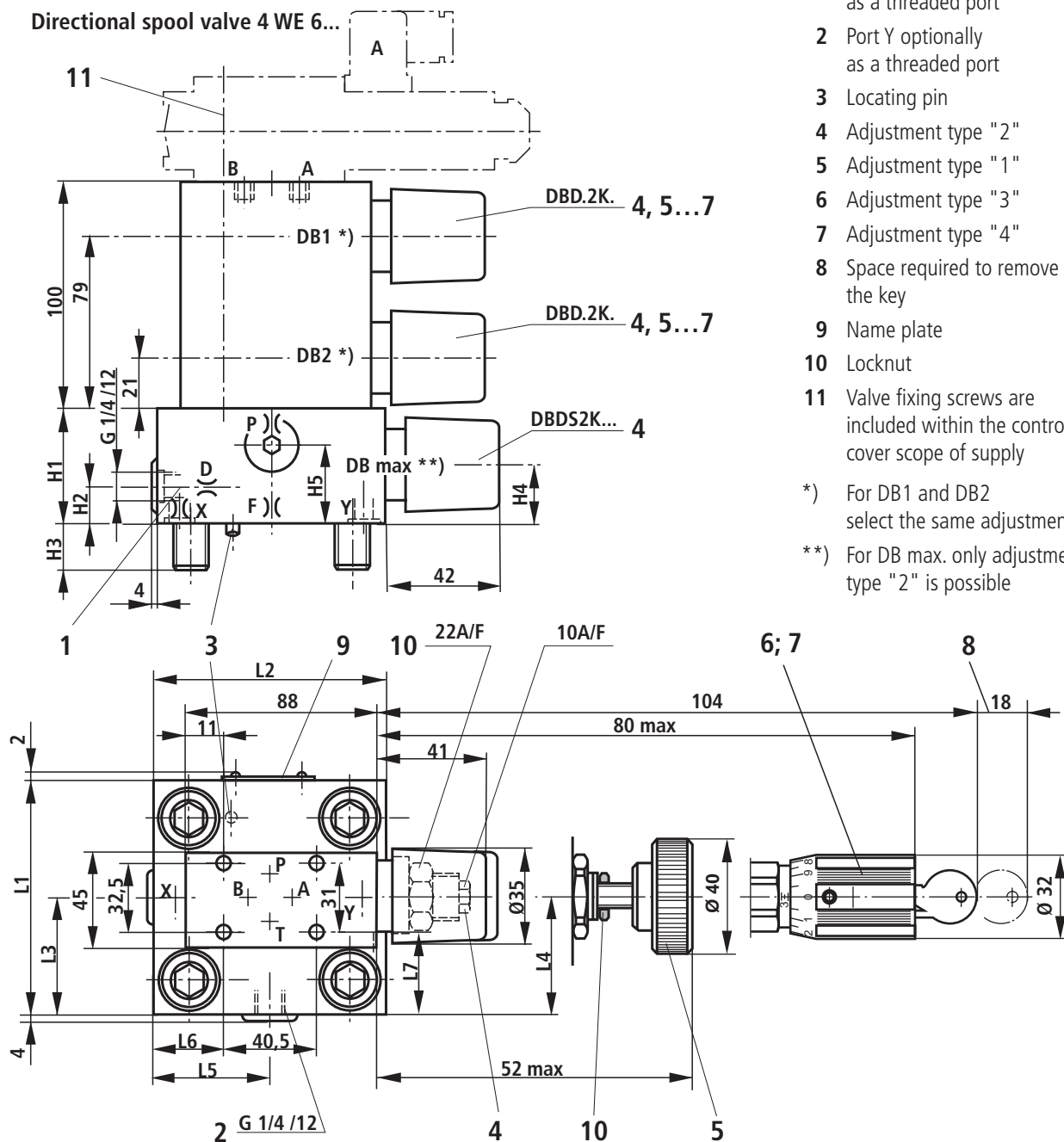
\*) For DB1 and DB2 select the same adjustment type



# Control cover with 3 manual pressure adjusters, electrically selectable

NS 16, 25, 32

Dimensions in mm



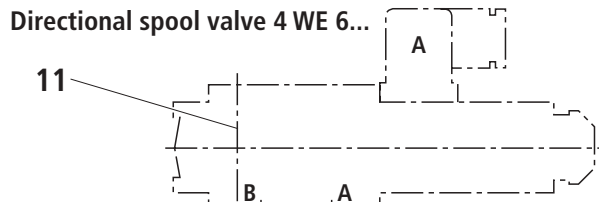
- 1 Port X optionally as a threaded port
  - 2 Port Y optionally as a threaded port
  - 3 Locating pin
  - 4 Adjustment type "2"
  - 5 Adjustment type "1"
  - 6 Adjustment type "3"
  - 7 Adjustment type "4"
  - 8 Space required to remove the key
  - 9 Name plate
  - 10 Locknut
  - 11 Valve fixing screws are included within the control cover scope of supply
- \*) For DB1 and DB2 select the same adjustment type
- \*\*\*) For DB max. only adjustment type "2" is possible

NS	P**1)	X**1)	F**1)	D**1)	H1	H2	H3	H4	H5	L1	L2	L3	L4	L5	L6	L7
16	1.0	0.8	1.0	0.8	40	17	15	19	28	65	80	36.5	32.5	35	7	17
25	1.0	0.8	1.0	0.8	40	19	24	19	28	85	85	49	45.5	36	8	27
32	1.0	1.0	1.2	1.0	50	26	28	26	37	100	100	56.5	53	57	31	34.5

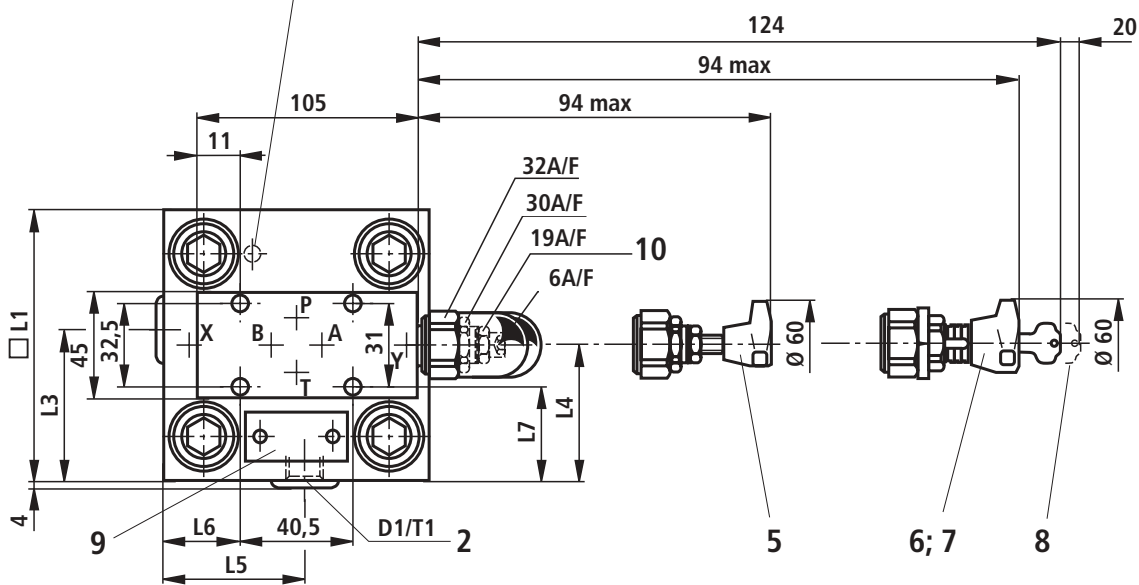
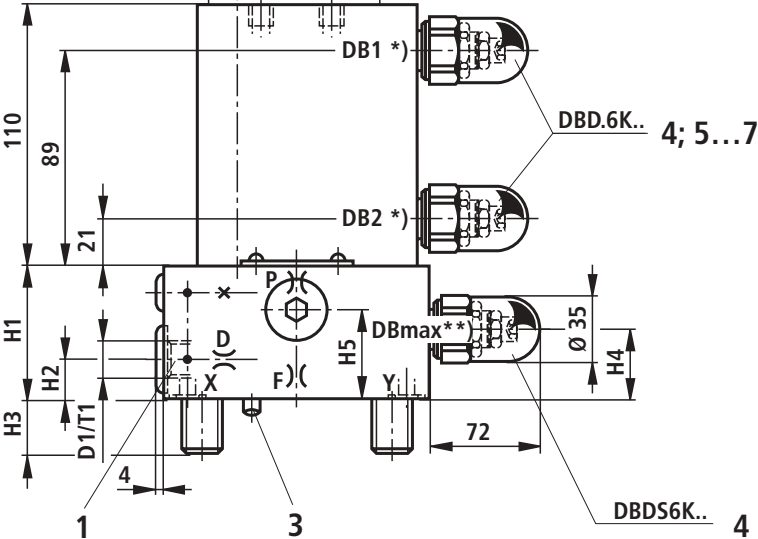
\*\* Orifice Ø  
 1) Orifice M6 tapered

# Control cover with 3 manual pressure adjusters, electrically selectable

NS 40, 50



- 1 Port X optionally as a threaded port
  - 2 Port Y optionally as a threaded port
  - 3 Locating pin
  - 4 Adjustment type "2"
  - 5 Adjustment type "1"
  - 6 Adjustment type "3"
  - 7 Adjustment type "4"
  - 8 Space required to remove the key
  - 9 Name plate
  - 10 Locknut
  - 11 Valve fixing screws are included within the control cover scope of supply
- \*) For DB1 and DB2 select the same adjustment type  
 \*\*) For DB max. only adjustment type "2" is possible



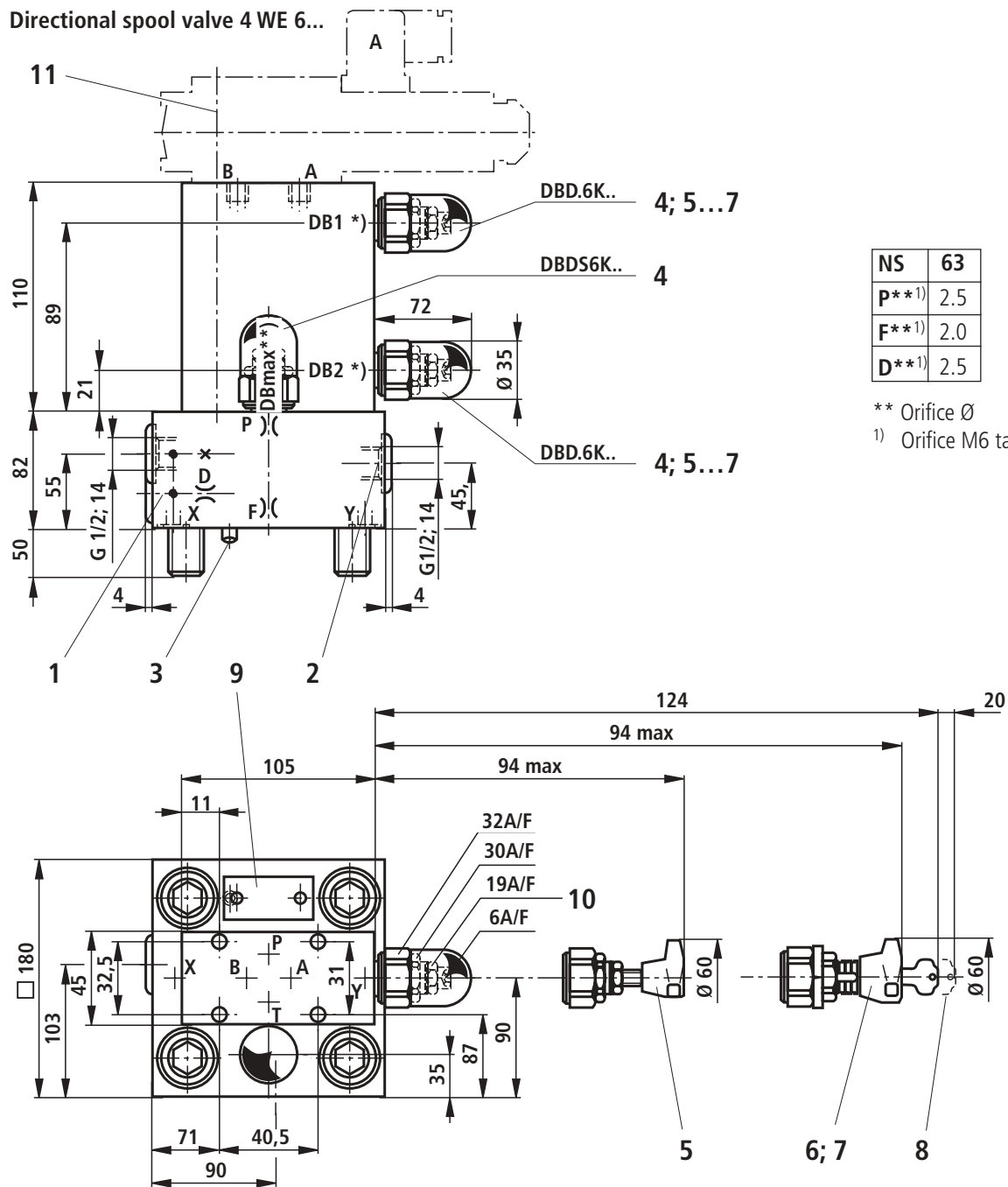
NS	P**1)	F**1)	D**1)	D1	H1	H2	H3	H4	H5	□ L1	L3	L4	L5	L6	L7	T1
40	1.2	1.2	1.0	G1/4	60	17	32	27	40	125	69	76	68	43.5	47	12
50	1.5	1.5	2.0	G1/2	68	19.5	34	35	50	140	80	84	74.5	51	54.5	14

\*\* Orifice Ø  
 1) Orifice M6 tapered

# Control cover with 3 manual pressure adjusters, electrically selectable

NS 63

Dimensions in mm



- 1 Port X optionally as a threaded port
- 2 Port Y optionally as a threaded port
- 3 Locating pin
- 4 Adjustment type "2"
- 5 Adjustment type "1"
- 6 Adjustment type "3"
- 7 Adjustment type "4"

- 8 Space required to remove the key
- 9 Name plate
- 10 Locknut
- 11 Valve fixing screws are included within the control cover scope of supply

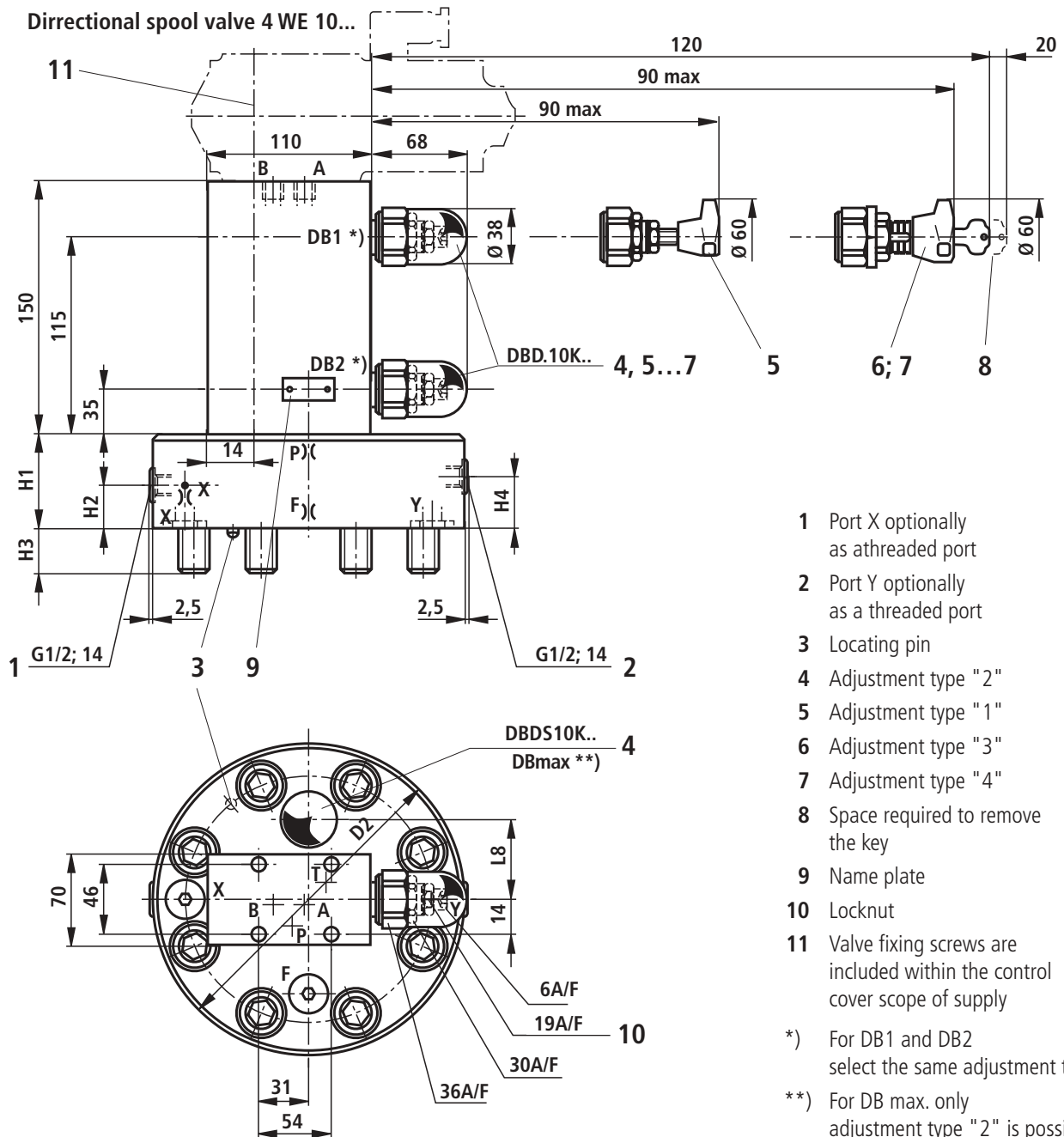
\*) For DB1 and DB2 select the same adjustment type

\*\*\*) For DB max. only adjustment type "2" is possible

# Control cover with 3 manual pressure adjusters, electrically selectable

NS 80, 100

Dimensions in mm



- 1 Port X optionally as threaded port
  - 2 Port Y optionally as a threaded port
  - 3 Locating pin
  - 4 Adjustment type "2"
  - 5 Adjustment type "1"
  - 6 Adjustment type "3"
  - 7 Adjustment type "4"
  - 8 Space required to remove the key
  - 9 Name plate
  - 10 Locknut
  - 11 Valve fixing screws are included within the control cover scope of supply
- \*) For DB1 and DB2 select the same adjustment type  
 \*\*) For DB max. only adjustment type "2" is possible

NS	P**1)	X**2)	F**2)	D2	H1	H2	H3	H4	L8
80	3.5	3.0	2.5	250	100	30	45	52	75
100	3.5	3.0	2.5	300	100	30	51	52	85

\*\* Orifice Ø  
 1) Orifice M8 x1 tapered  
 2) Orifice G 1/4 tapered

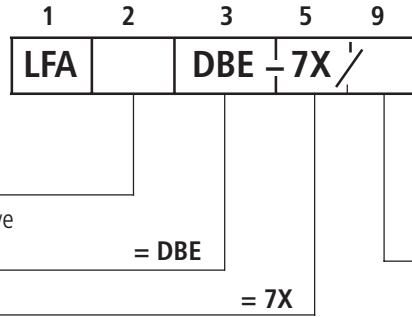
# Control cover for electrical-proportional pressure adjustment, without maximum pressure limitation

NS 16 to 63

Dimensions in mm

NS 16 = 16      NS 40 = 40  
 NS 25 = 25      NS 50 = 50  
 NS 32 = 32      NS 63 = 63

For mounting a proportional pressure relief valve  
**without** electrical feedback



No code =  
 V =

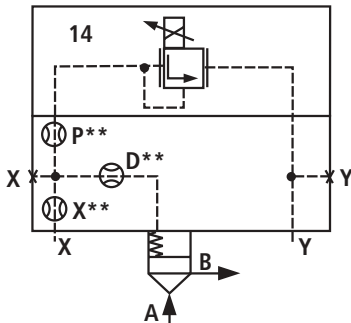
NBR seals  
 FKM seals  
 (other seals on request)

**Attention!**

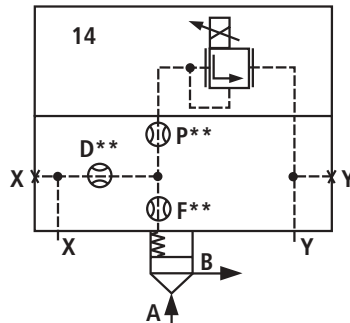
The compatibility of the seals and pressure fluid has to be taken into account!

Series 7X (NS 16 to 63)

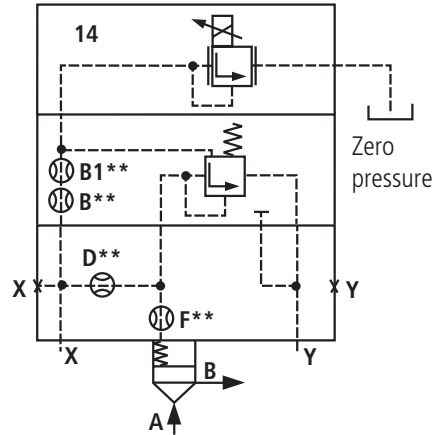
= 7X



LFA...DBE-7X/ NS 16



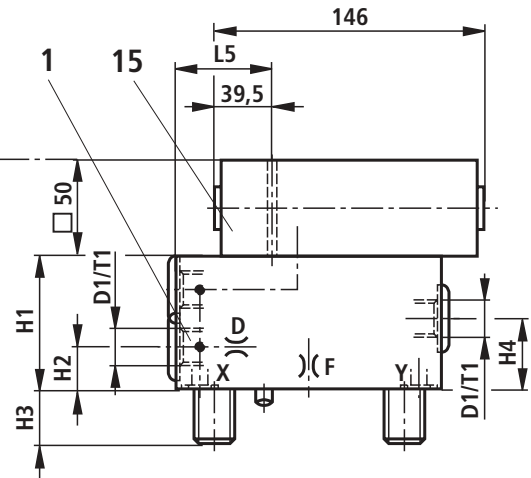
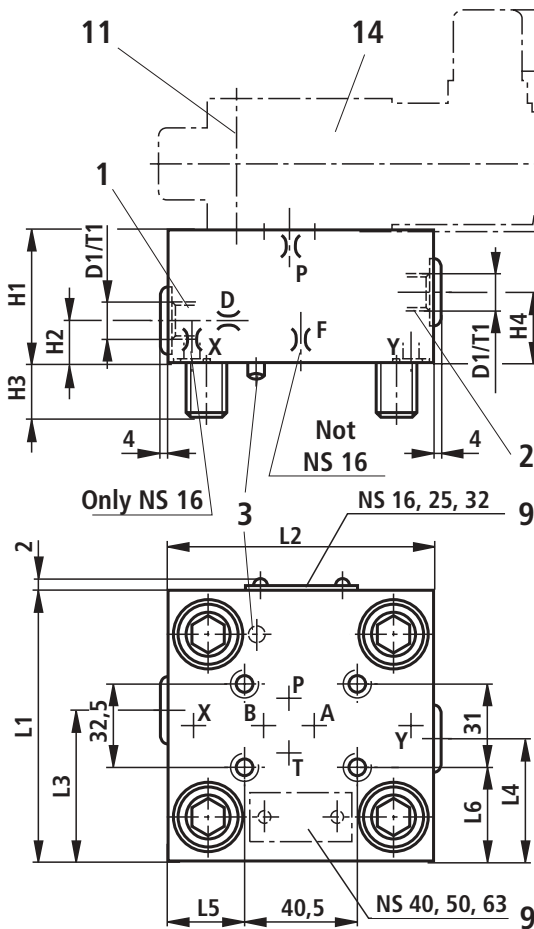
LFA...DBE-7X/ NS 25, 32, 40



LFA...DBE-7X/ NS 50, 63

NS 16 to 40

NS 50, 63



NS	16	25	32	40	50	63
B**1)					0.8	0.8
P**1)	1.0	1.0	1.0	1.5		
X**1)	0.8					
F**1)		0.8	1.0	1.2	1.5	2.0
D**2)	0.8	0.8	0.8	1.0	2.0	2.5
D1	G1/4	G1/4	G1/4	G1/2	G1/2	G1/2
H1	40	40	50	60	68	82
H2	17	19	26	30	32	30
H3	15	24	28	32	34	50
H4	20	19	26	30	32	40
L1	65	85	100	125	140	180
L2	80	85	100	125	140	180
L3	36.5	49	56.5	72	80	100
L4	23.5	36	43.5	53	50	80
L5	7	23.5	31	43.5	51	71
L6	17	27	34.5	47	54.5	74.5
T1	12	12	12	14	14	14

- 1 Port X optionally as a threaded port
- 2 Port Y optionally as a threaded port
- 3 Locating pin
- 9 Name plate
- 11 Valve fixing screws are included within the control cover scope of supply
- 14 Prop. pressure relief valve type DBE-5X/... (see summary on page 14, also catalogue sheet RE 29 165)
- 15 Pressure relief valve NS 6 (included within the scope of supply)

\*\* Orifice Ø

1) Orifice M6 tapered

2) Orifice M6 tapered (NS 16), M8 x 1 tapered (NS 25 ... 63)

# Control cover for electrical-proportional pressure adjustment, with maximum pressure limitation

## NS 16 to 100



Nom. size 16	= <b>16</b>
Nom. size 25	= <b>25</b>
Nom. size 32	= <b>32</b>
Nom. size 40	= <b>40</b>
Nom. size 50	= <b>50</b>
Nom. size 63	= <b>63</b>
Nom. size 80	= <b>80</b>
Nom. size 100	= <b>100</b>

Series 7X  
  
Series 6X

No code = NBR seals  
 V = FKM seals  
 (other seals on request)

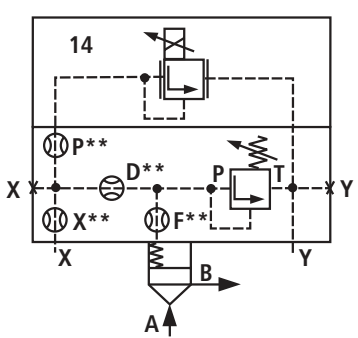
**⚠ Attention!**  
 The compatibility of the seals and pressure fluid has to be taken into account!

**Pressure stages**  
 (take max. perm. pressure of pilot valve into account)

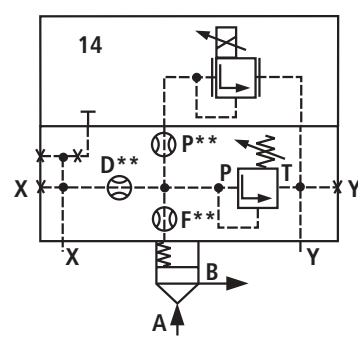
NS 16, 25, 32	NS 40, 50, 63, 80, 100
<b>025</b> = 25 bar	<b>025</b> = 25 bar
<b>050</b> = 50 bar	<b>050</b> = 50 bar
<b>100</b> = 100 bar	<b>100</b> = 100 bar
<b>200</b> = 200 bar	<b>200</b> = 200 bar
<b>315</b> = 315 bar	<b>315</b> = 315 bar
<b>420</b> = 420 bar	<b>400</b> = 400 bar

For mounting a proportional pressure relief valve  
**Without** electrical feedback and  
**with** maximum pressure safety = **DBEM**

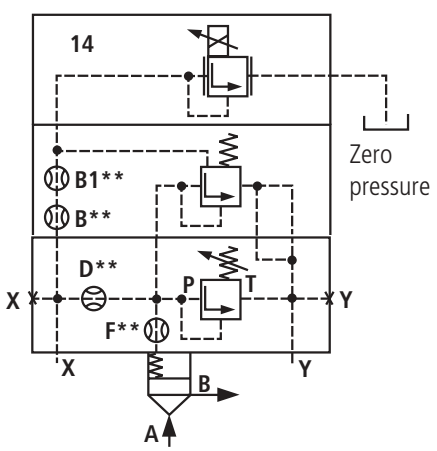
Series 6X (NS 80 to 100) = **6X**  
 Series 7X (NS 16 to 63) = **7X**



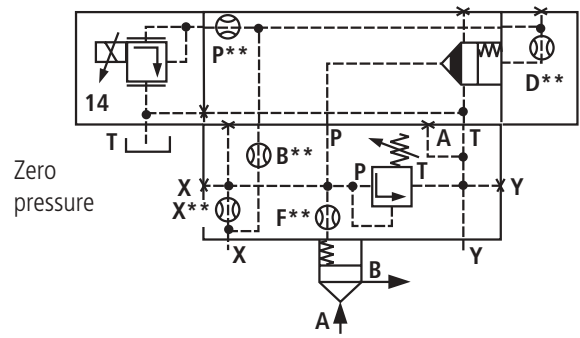
**LFA..DBEM-7X/...**  
**NS 16, 25, 32**



**LFA..DBEM-7X/...**  
**NS 40**



**LFA..DBEM-7X/...**  
**NS 50, 63**



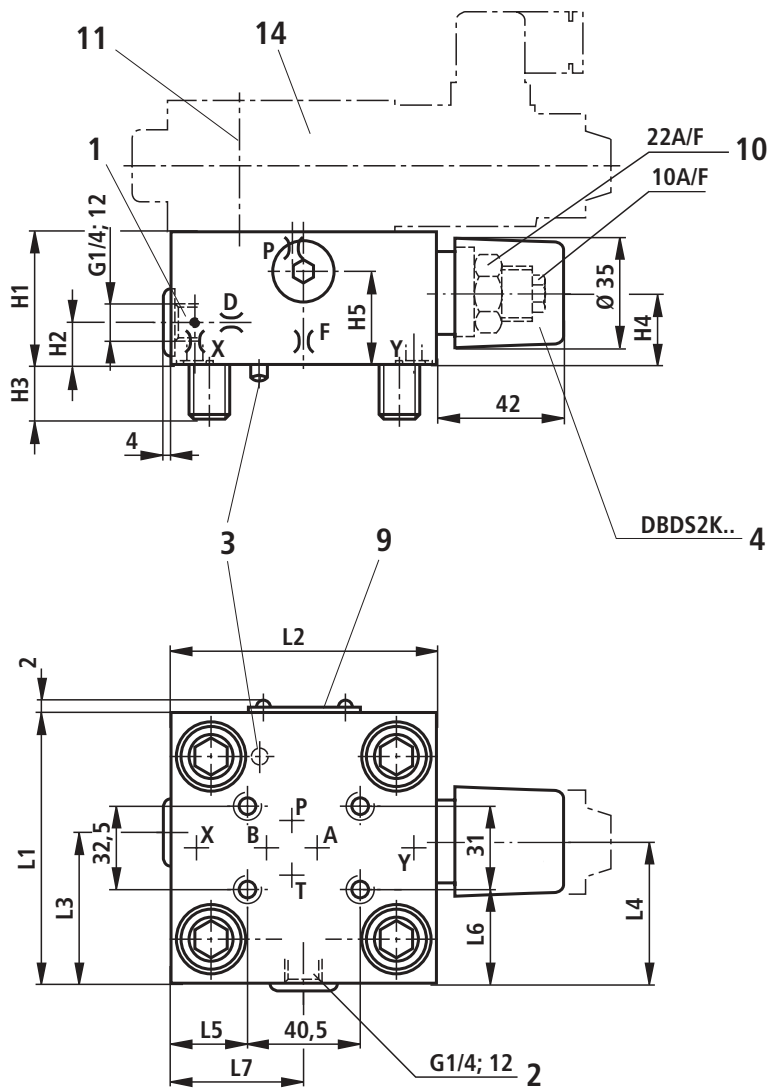
**LFA..DBEM-6X/...**  
**NS 80, 100**

For item nos. see page 40

# Control cover for electrical-proportional pressure adjustment, with maximum pressure limitation

NS 16, 25, 32

Dimensions in mm



Ports T and Y - zero pressure

- 1 Port X optionally as a threaded port
  - 2 Port Y optionally as a threaded port
  - 3 Locating pin
  - 4 Adjustment type "2"
  - 9 Name plate
  - 10 Locknut
  - 11 Valve fixing screws are included within the control cover scope of supply
  - 14 Proportional pressure relief valve type DBET-5X/...-1<sup>3)</sup> (see summary on page 14, also catalogue sheet RE 29 165)
- <sup>3)</sup> 1 = G 1/4 threaded port T, special poppet

NS	P**1)	X**1)	F**1)	D**1)	H1	H2	H3	H4	H5	L1	L2	L3	L4	L5	L6	L7
16	1.0	0.8	1.0	0.8	40	17	15	19	28	65	80	36.5	32.5	7	17	35
25	1.0	0.8	1.0	0.8	40	19	24	19	28	85	85	49	45.5	8	27	36
32	1.0	1.0	1.2	1.0	50	26	28	26	37	100	100	56.5	53	31	34.5	57

\*\* Orifice Ø

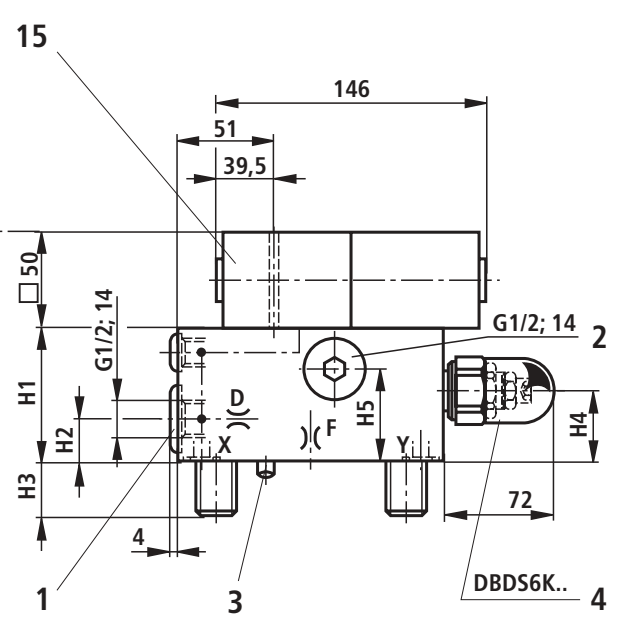
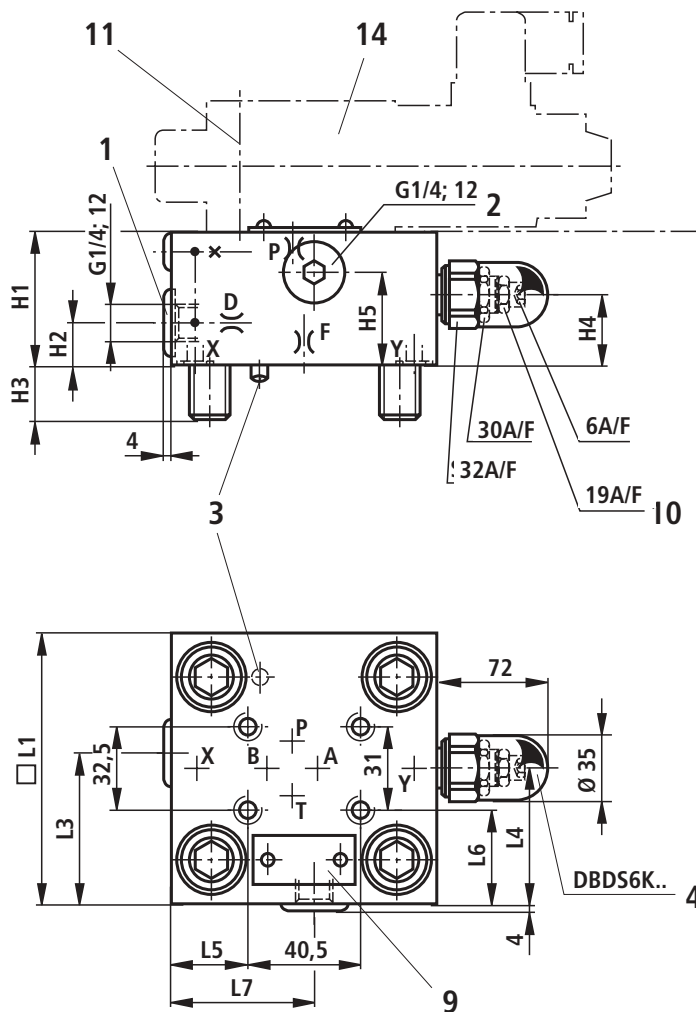
<sup>1)</sup> Orifice M6 tapered



# Control cover for electrical-proportional pressure adjustment, with maximum pressure limitation

NS 40

NS 50



- 1 Port X optionally as a threaded port
  - 2 Port Y optionally as a threaded port
  - 3 Locating pin
  - 4 Adjustment type "2"
  - 9 Name plate
  - 10 Locknut
  - 11 Valve fixing screws are included within the control cover scope of supply
  - 14 Proportional pressure relief valve type DBET-5X/...G24 (NS 40) type DBET-5X/...Y G24-1<sup>3)</sup> (NS 50) (see summary on page 14, also catalogue sheet RE 29 165)
  - 15 Pressure relief valve NS 6 (is included within the scope of supply)
- <sup>3)</sup> 1 = G 1/4 threaded port T, special poppet

NS	B**1)	P**1)	F**1)	D**1)	H1	H2	H3	H4	H5	□ L1	L3	L4	L5	L6	L7
40		1.5	1.2	1.0	60	20	32	27	40	125	69	76	43.5	47	68
50	0.8		1.5	2.0	68	19.5	34	35	50	140	80	84	51	54.5	74.5

\*\* Orifice Ø

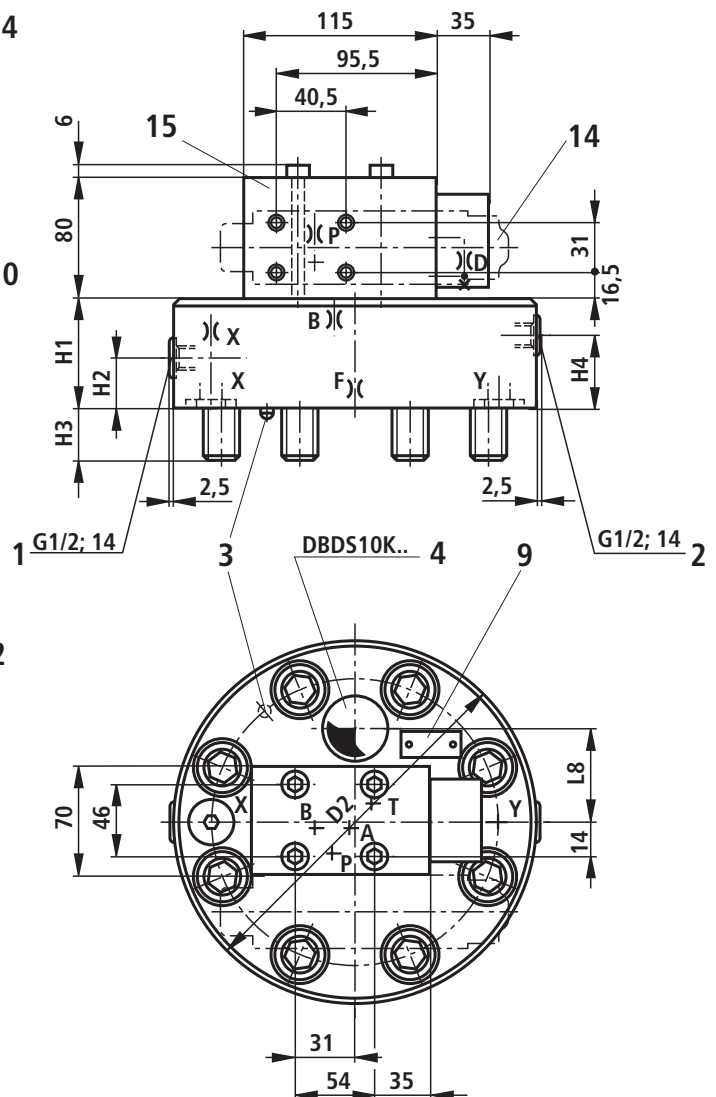
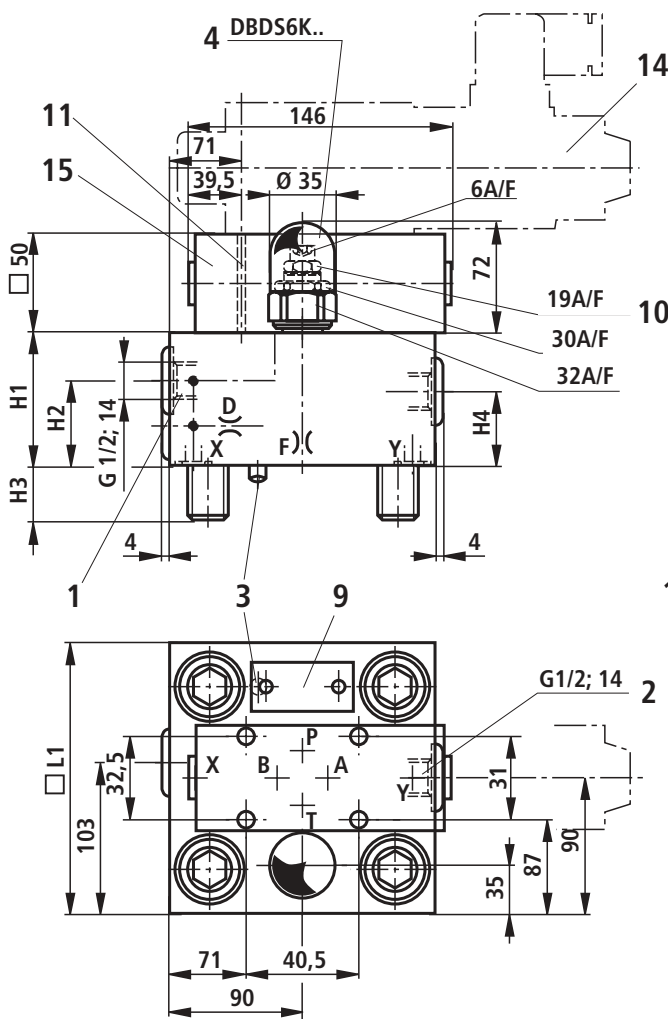
<sup>1)</sup> Orifice M6 tapered

# Control cover for electrical-proportional pressure adjustment, with maximum pressure limitation

NS 63

NS 80, 100

Dimensions in mm



- 1 Port X optionally as a threaded port
- 2 Port Y optionally as a threaded port
- 3 Locating pin
- 4 Adjustment type "2"
- 9 Name plate
- 10 Locknut

- 11 Valve fixing screws are included within the control cover scope of supply
- 14 Proportional pressure relief valve type DBET-5X/...Y G24-1<sup>3)</sup> (see summary on page 14, also catalogue sheet Re 29 165)
- 15 Pressure relief valve NS 6 (is included within the scope of supply)

<sup>3)</sup> 1 = G 1/4 threaded port T, special poppet

NS	B**1)	P**1)	X**2)	F**2)	D**1)	H1	H2	H3	H4	D2	□ L1	L8
63	0.8			2.0	2.5	82	55	50	45		180	
80	0.8	1.0	3.0	2.5		100	30	45	52	250		75
100	0.8	1.0	3.5	3.0		100	30	51	52	300		85

\*\* Orifice Ø

1) Orifice M6 tapered (NS 63) orifice M8 x 1 tapered (NS 80, 100)

2) Orifice M6 tapered (NS 63) orifice G 1/4 tapered (NS 80, 100)

## Pressure reducing function

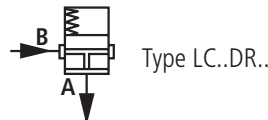
**Ordering details:** pressure reducing cartridge valve (without associated control cover LFA..DB..)

	<b>LC</b>	<b>DR</b>	<b>E</b>	<b>7X</b>	
Nominal size 16	= 16				<b>No code =</b> NBR seals <b>V =</b> FKM seals (other seals on request) <b>⚠ Attention!</b> The compatibility of the seals and pressure fluid has to be taken into account!  <b>7X =</b> (NS 16 to 63) Series 70 to 79 (70 to 79: unchanged installation and connection dimensions)  <b>E =</b> Spool without fine control grooves
Nominal size 25	= 25				
Nominal size 32	= 32				
Nominal size 40	= 40				
Nominal size 50	= 50				
Nominal size 63	= 63				
Closing pressure approx. 0 bar (without spring)	= 00				
Closing pressure approx. 2 bar	= 20				
Closing pressure approx. 3 bar	= 30 <sup>1)</sup>				
Closing pressure approx. 4 bar (standard spring)	= 40				
Closing pressure approx. 5 bar	= 50 <sup>2)</sup>				
Closing pressure approx. 8 bar	= 80 <sup>3)</sup>				

**Preferred types and standard components can be found in the EPS (Standard Price List).**

- 1) Closing pressure 3.0 bar only for NS 16 for mounting a pilot operated pressure relief valve type DBC . -5X/...S0187 (see catalogue sheet RE 25 802)
- 2) Only for NS 16, 25 and 32
- 3) Special installation space is required (see page 47)

**Symbol:** cartridge valves



**Technical data** (for applications outside these parameters, please consult us!)

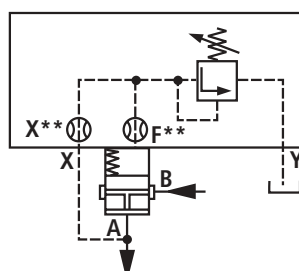
Maximum operating pressure – Ports A and B	bar	315						
Maximum flow (recommended)	NS	16	25	32	40	50	63	
	– LC..DR20.../..	L/min	100	200	300	750	1000	1600
	– LC..DR40.../..	L/min	150	300	450	1000	1300	2000
Pressure fluid		Mineral oil (HL, HLP) to DIN 51 524 <sup>1)</sup> ; Fast bio-degradable pressure fluids to VDMA 24 568 (also see RE 90 221); HETG (rape seed oil) <sup>1)</sup> ; HEPG (polyglycols) <sup>2)</sup> ; HEES (synthetic ester) <sup>2)</sup> ; other pressure fluids on request						
1) Suitable for NBR <b>and</b> FKM seals 2) <b>Only</b> suitable for FKM seals								
	Pressure fluid temperature range	°C	– 30 to + 80 for NBR seals					– 20 to + 80 for FKM seals
Viscosity range	mm <sup>2</sup> /s	2.8 to 380						
Cleanliness class to ISO code		Maximum permissible degree of contamination of the pressure fluid is to ISO 4406 (C) class 20/18/15 <sup>3)</sup>						

<sup>3)</sup> The cleanliness class stated for the components must be adhered to in hydraulic systems. Effective filtration prevents faults from occurring and at the same time increases the component service life.  
For the selection of filters see catalogue sheets RE 50 070, RE 50 076 and RE 50 081.

Preferably use 5 and 8 bar springs for flow control. The usable  $\Delta p$  is available on request.

**⚠ Attention!**

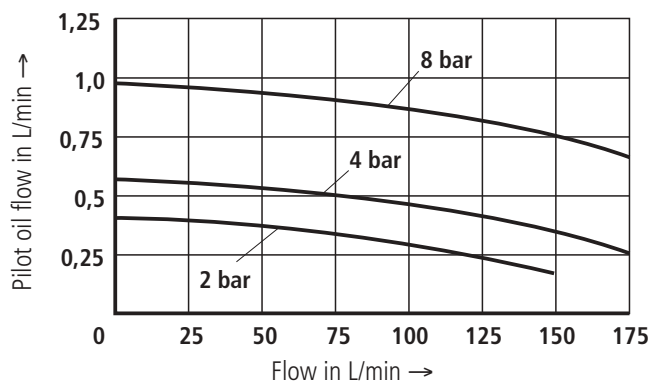
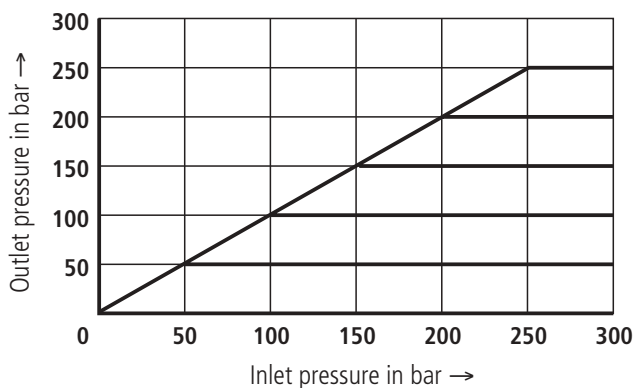
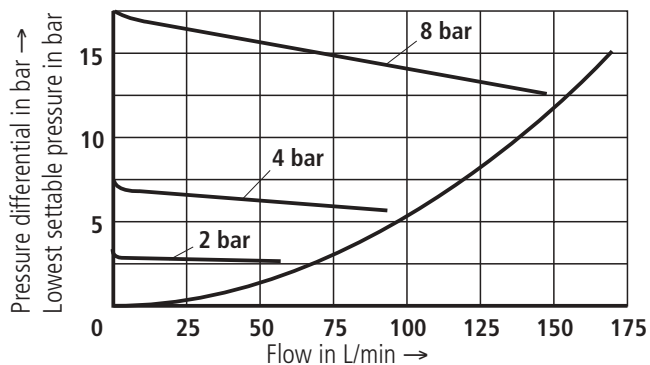
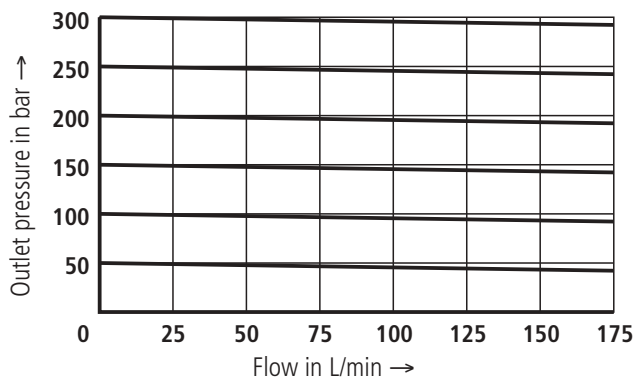
2-way cartridge valves type LC..DR... are combined with control covers type LFA...DB... (for ordering details see page 13).



**Pressure reducing function**

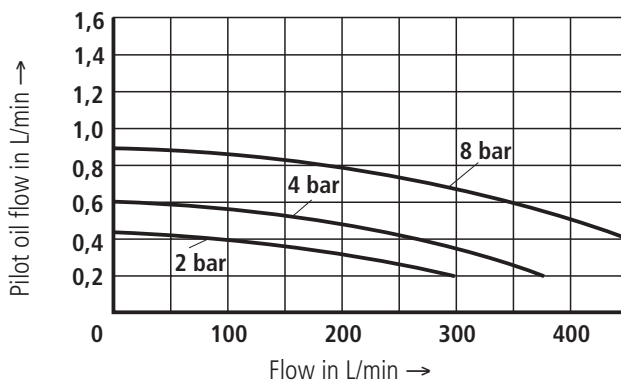
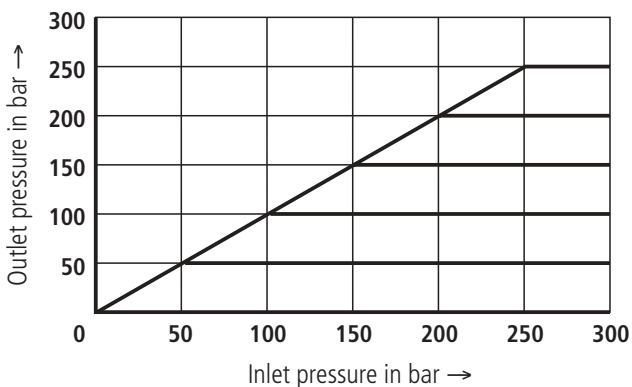
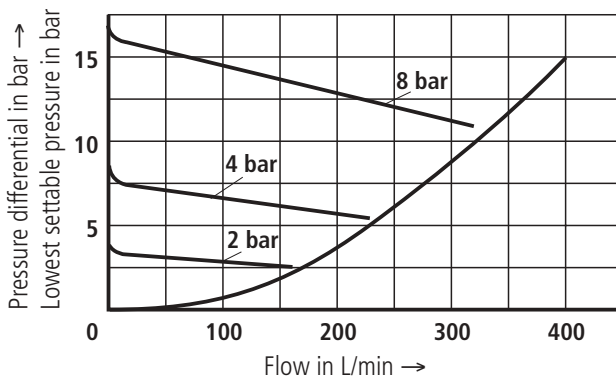
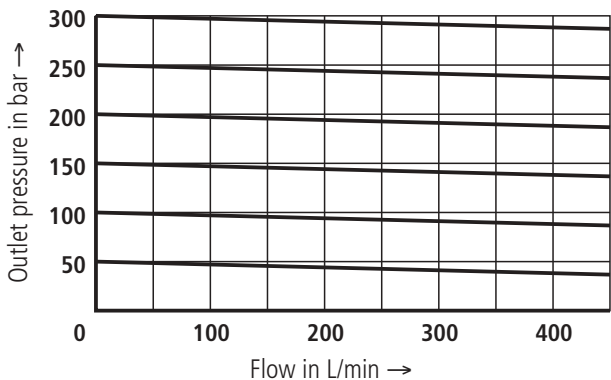
Normally open  
E.g.  
Type LFA...DB...  
Type LC..DR 40...

LC 16 DR...



Measured at:  $p_a = 50\text{ bar}$

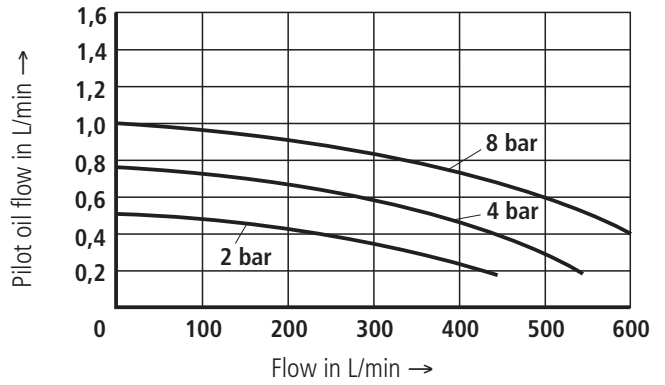
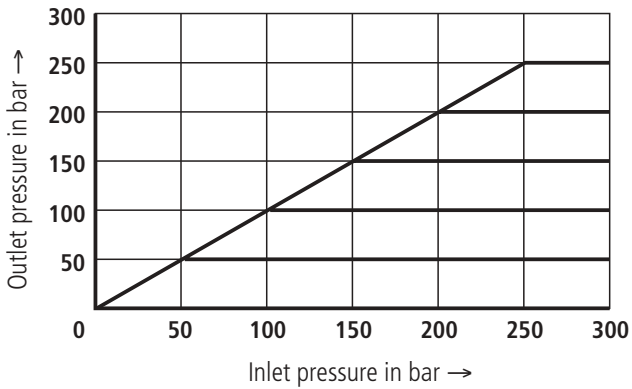
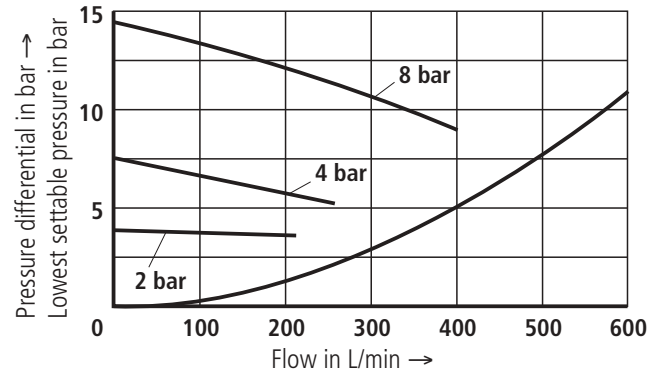
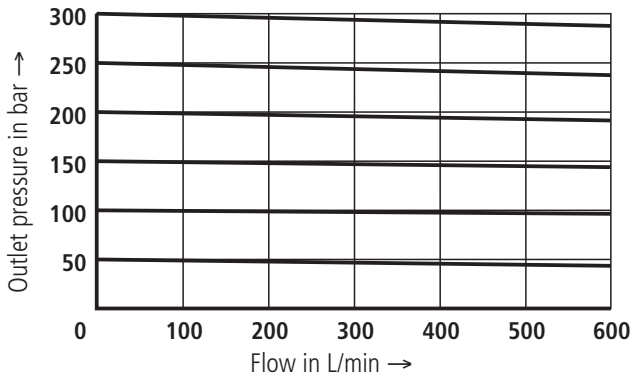
LC 25 DR...



Measured at:  $p_a = 50\text{ bar}$

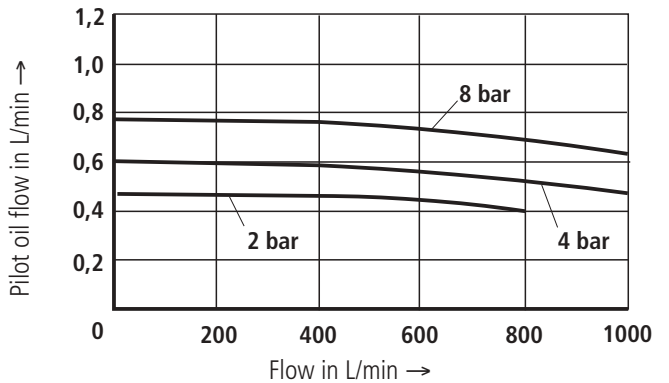
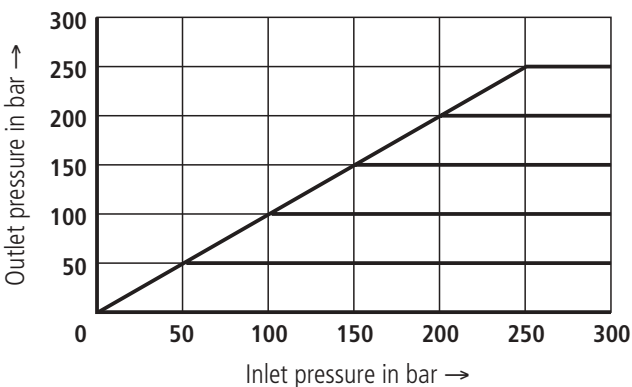
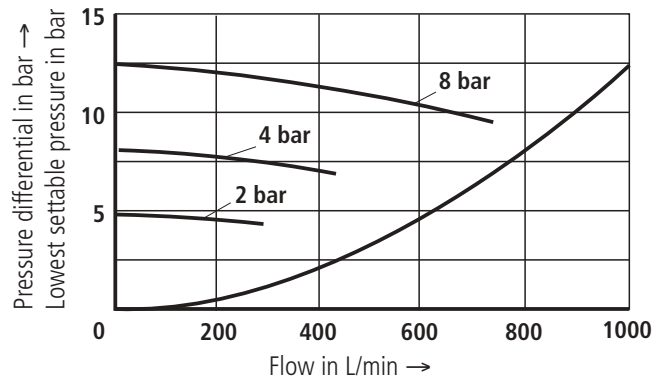
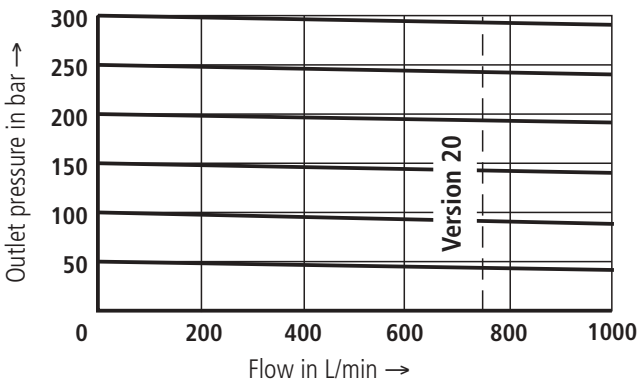
**Characteristic curves** (measured with HLP 46;  $\vartheta_{oil} = 40\text{ °C} \pm 5\text{ °C}$ )

**LC 32 DR...**



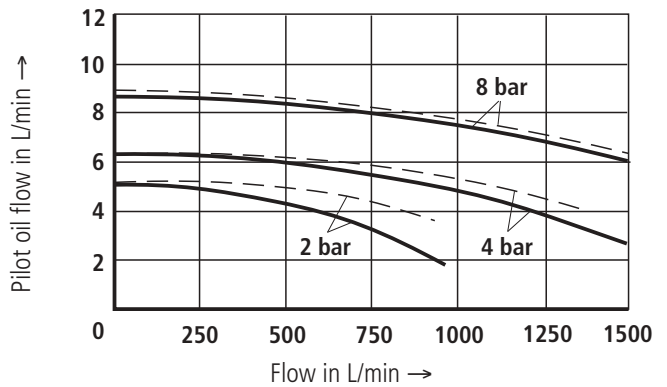
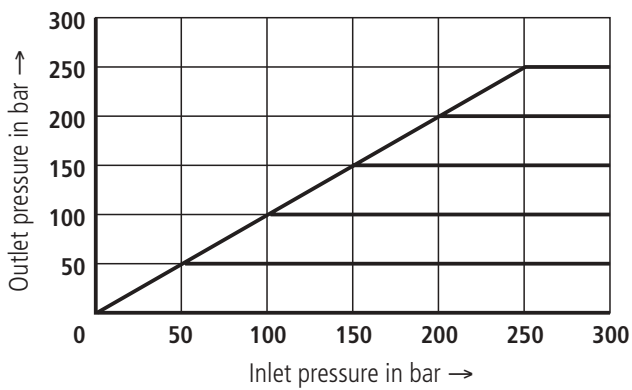
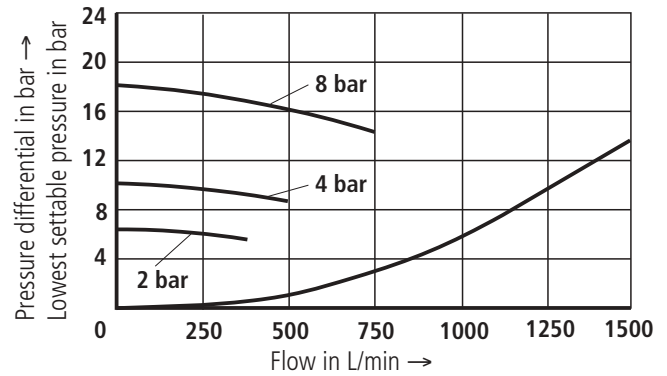
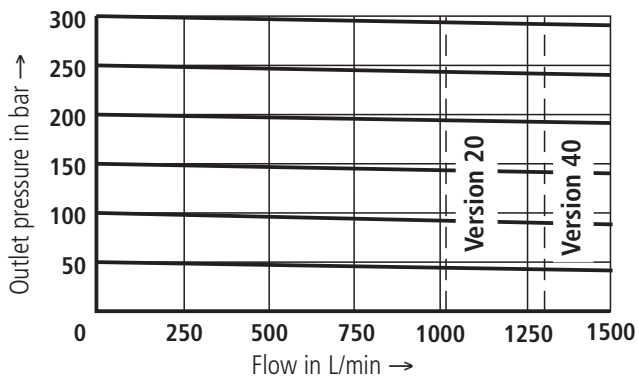
Measured at:  $p_a = 50\text{ bar}$

**LC 40 DR...**



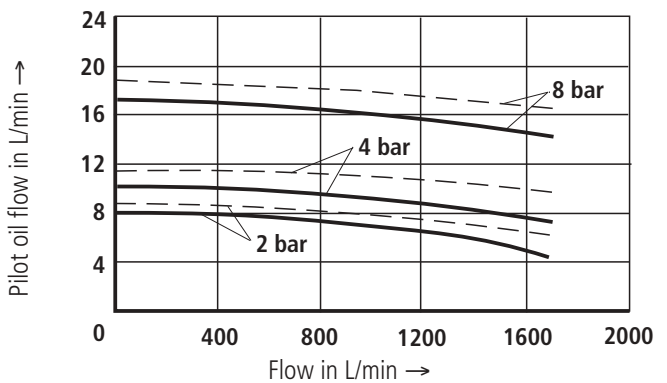
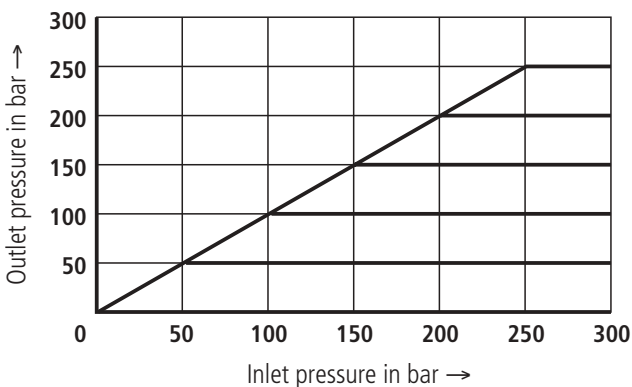
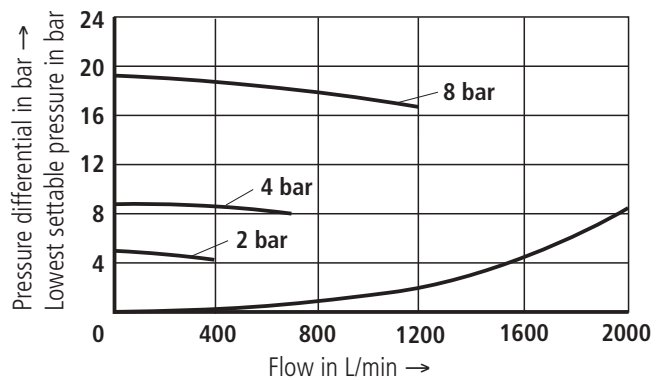
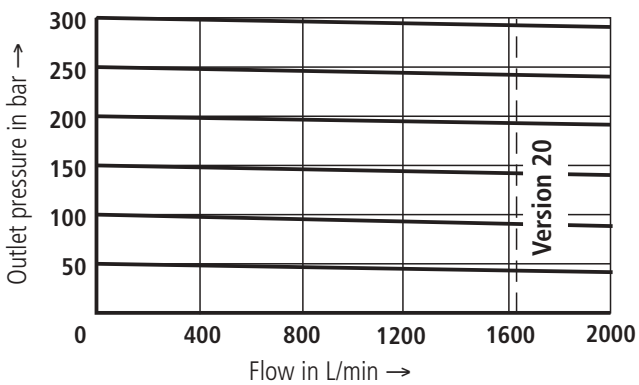
Measured at:  $p_a = 50\text{ bar}$

LC 50 DR...



Measured at:  $p_a = 50\text{ bar}$   
 —  $p_e = 100\text{ bar}$   
 - - -  $p_e = 350\text{ bar}$

LC 63 DR...



Measured at:  $p_a = 50\text{ bar}$   
 —  $p_e = 100\text{ bar}$   
 - - -  $p_e = 350\text{ bar}$

## Seal kits for cartridge valves type LC...

Nom. size	Material No.		Nom. size	Material No.	
	NBR seals	FKM seals		NBR seals	FKM seals
16	R900313104	R900313107	40	R900873022	R900873025
25	R900313105	R900313108	50	R900873023	R900873026
32	R900313106	R900313109	63	R900873024	R900873027

## Compression springs for cartridge valves type LC...

NS	Spring dimensions in mm	Opening pressure in bar	Material No.	NS	Spring dimensions in mm	Opening pressure in bar	Material No.
16	10.2/1.3 x 40.5/8.0	2.0	R900062747	40	25.9/4.25 x 63/6	2.0	R900206675
	10.0/1.6 x 38.2/9.0	3.0	R900062753		25.7/4.5 x 68.5/6	4.0	R900206673
	9.8/1.7 x 38.0/9.0	4.0	R900062754		24.8/5.3 x 105/10	8.0 <sup>1)</sup>	R900206671
	9.7/1.9 x 35.7/8.5	5.0	R900062757	50	33.2/5 x 82/5.5	2.0	R900206684
	9.2/2.4 x 60.5/14.5	8.0 <sup>1)</sup>	R900082073		32.8/5.3 x 92/6.5	4.0	R900206681
25	15.3/2.25 x 55.0/8.0	2.0	R900062762	63	31.7/6.5 x 137/10.5	8.0 <sup>1)</sup>	R900206680
	14.9/2.7 x 53.4/8.5	3.0	R900062764		40.6/6.5 x 108/7	2.0	R900206690
	14.7/2.8 x 53.5/8.5	4.0	R900062820	40.7/6.5 x 127.5/7.5	4.0	R900206692	
	14.6/3.0 x 52.5/8.5	5.0	R900062819	38.6/8.5 x 183.5/11.5	8.0 <sup>1)</sup>	R900206689	
	14.1/3.5 x 78.5/12.0	8.0 <sup>1)</sup>	R900082072				
32	19.6/2.8 x 69.5/7.5	2.0	R900062813				
	19.2/3.2 x 71.0/8.5	3.0	R900062783				
	19.1/3.4 x 72.0/9.5	4.0	R900062810				
	19.1/3.5 x 72.8/9.0	5.0	R900062805				
	18.5/4.0 x 109/14.5	8.0 <sup>1)</sup>	R900082071				

<sup>1)</sup> These springs require an additional installation length. When using standaard control covers an additional sandwich plate type LFA . D22... must be used.

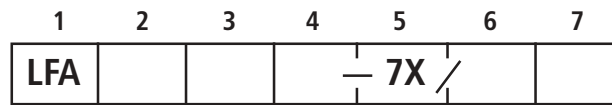
### Exception:

Control cover type "D" can be replaced by type LFA . D8-../F (no sandwich plate is required).

## Control cover for pressure reducing function

Main spool normally closed - LC..DB 40 D.. – separate order

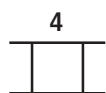
### General notes



• = Available

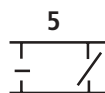
Nominal size						Type	Adjustment type	Series	Pressure stage in bar for nominal size		Seal material	Page
16	25	32	40	50	63				...DR... ..DRW.	..DRE..		
•	•	•	•	•	•	DR			025		For ordering details see pages for the individual control cover variants	53, 54
•	•	•	•	•	•	DRW			075			55, 56
	•	•	•	•	•	DREV			150	006		57, 58
	•	•	•	•	•	DREZ			210	014		57, 58
	•	•	•	•	•	DREWV			315	006		59, 60
	•	•	•	•	•	DREWZ			350	014		59, 60

Preferred types and standard components can be found in the EPS (Standard Price List).



#### Adjustment elements for pressure reducing valves

- 1 = Rotary knob
- 2 = Hexagon with protective cap
- 3 = Rotary knob with scale (H-key to automotive industry standards)
- 4 = Rotary knob with scale



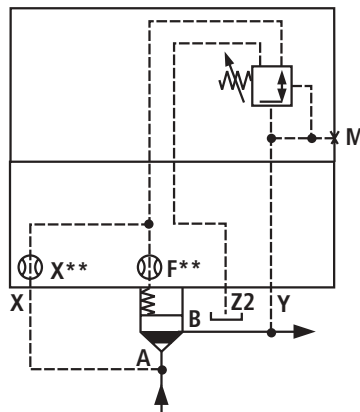
#### Series

7X = Series 70 to 79

(unchanged installation and connection dimensions)

#### ⚠ Attention !

Control covers type LFA..DR... are combined with 2-way cartridge valves type LC..DB 40 D... (for ordering details see page 5)



#### Pressure reducing function

Normally closed

E.g.

Type LFA...DR...

Type LC..DB 40 D..



## Control cover for pressure reducing function

Main spool normally closed - LC..DB 40 D.. – separate order

### Technical data (for applications outside these parameters, please consult us!)

Pressure fluid		Mineral oil (HL, HLP) to DIN 51 524 <sup>1)</sup> ; Fast bio-degradable pressure fluids to VDMA 24 568 (also see RE 90 221); HETG (rape seed oil) <sup>1)</sup> ; HEPG (polyglycols) <sup>2)</sup> ; HEES (synthetic ester) <sup>2)</sup> ; Other pressure fluids on request
<sup>1)</sup> Suitable for NBR <b>and</b> FKM seals <sup>2)</sup> <b>Only</b> suitable for FKM seals		
Pressure fluid temperature range	°C	– 30 to + 80 for NBR seals – 20 to + 80 for FKM seals
Viscosity range	mm <sup>2</sup> /s	2.8 to 380
Cleanliness class to ISO code		Maximum permissible degree of contamination of the pressure fluid is to ISO 4406 (C) class 20/18/15 <sup>3)</sup>

<sup>3)</sup> The cleanliness class stated for the components must be adhered to in hydraulic systems. Effective filtration prevents faults from occurring and at the same time increases the component service life.  
For the selection of filters see catalogue sheets RE 50 070, RE 50 076 and RE 50 081.

### Control cover

Max. perm. operating pressure at port ...	Control cover type	
	LFA..DR.-../... LFA..DRW.-../...	LFA..DRE.-../...
...X (primary pressure)	315 bar	350 bar
...Y (secondary pressure = max. settable pressure)	315 bar	350 bar
...Z2	Zero pressure (up to ≈ 2 bar)	
When regulating the pressure	Zero pressure (up to ≈ 2 bar)	
Static	60 bar	315 bar
...T	Zero pressure (up to ≈ 2 bar)	
When regulating the pressure	Zero pressure (up to ≈ 2 bar)	
Static (corresponds to the permissible tank pressure of the pilot valves)	100 bar	

### Notes on pilot control valves (not included within the scope of supply, must be ordered separately!)

#### Directional spool valve (porting pattern form A 6 to DIN 24 340)

Directional spool valve	Nominal size	Catalogue sheet No.	Control cover
3WE 6 A-../...	6	23 178	DREVV, DREWZ
3WE 6 B9-../...	6	23 178	DRW

#### Proportional pressure relief valve

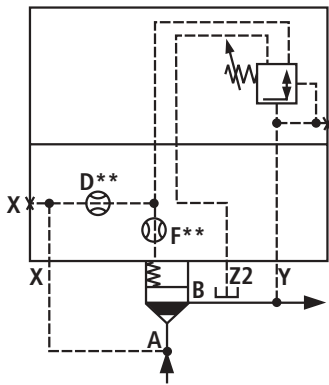
Prop. pressure relief valve	Nominal size	Catalogue sheet No.	Control cover
DBET-5X/... <sup>4)</sup> Y G24-1	6	29 165	DREV, DREVV
DBETR-1X/...	On request	On request	DREZ, DREWZ

<sup>4)</sup> Possible pressure stages 50, 100, 200, 315, 350

**Valve fixing screws** are included within the control cover scope of supply.

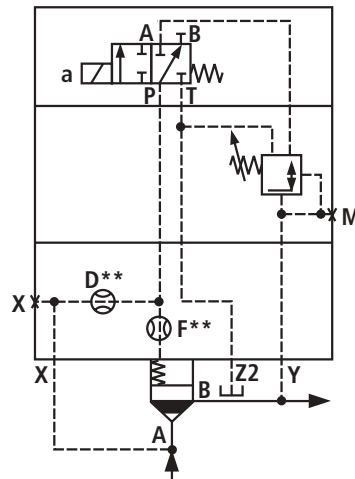
# Overview of symbols (basic symbols) - pressure reducing function

Valid symbols are shown in the following type descriptions !



**LFA..DR-.../...**  
**NS 16 to 63**  
 Control cover with manual pressure adjustment  
 Port T - zero pressure

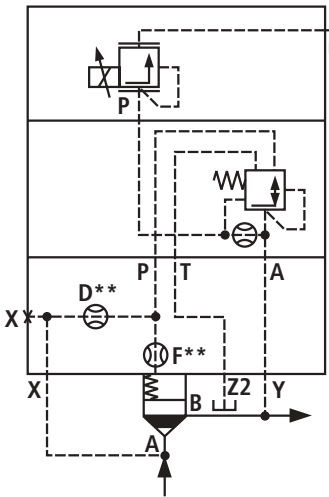
See pages 53; 54



**LFA..DRW-.../...**  
**NS 16 to 63**  
 Control cover with manual pressure adjustment and isolating function  
 Port T - zero pressure

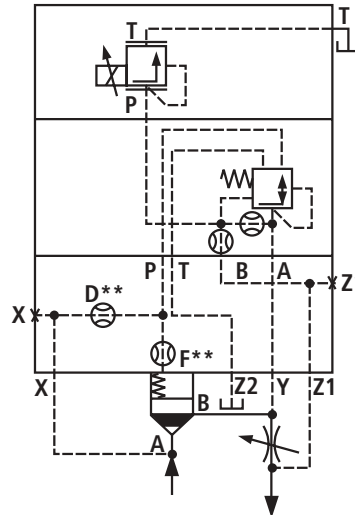
**3WE 6 B9-.../..**  
 Solenoid de-energised → closed  
 Solenoid energised → pressure reducing function

See pages 55; 56



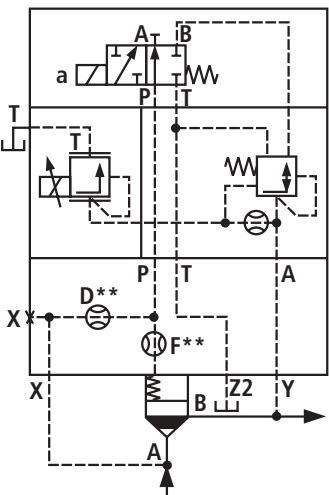
**LFA..DREV-.../...**  
**NS 25 to 63**  
 Control cover for electrical-proportional pressure adjustment  
 Port T - zero pressure

See pages 57; 58



**LFA..DREZ-.../...**  
**NS 25 to 63**  
 Control cover for electrical-proportional pressure adjustment  
 Port T - zero pressure

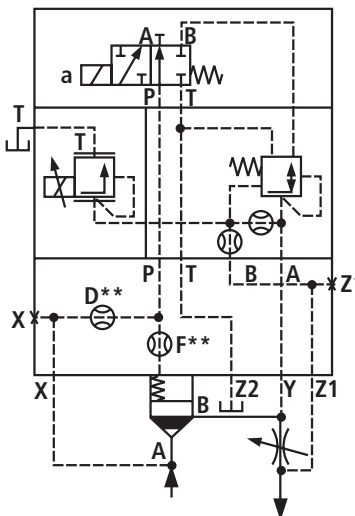
See pages 57; 58



**LFA..DREWV-.../...**  
**NS 25 to 63**  
 Control cover for electrical-proportional pressure adjustment and isolating function  
 Port T - zero pressure

**3WE 6 A-.../..**  
 Solenoid de-energised → closed  
 Solenoid energised → pressure reducing function

See pages 59; 60



**LFA..DREWZ-.../...**  
**NS 25 to 63**  
 Control cover for electrical-proportional pressure adjustment and isolating function  
 Port T - zero pressure

**3WE 6 A-.../..**  
 Solenoid de-energised → closed  
 Solenoid energised → pressure reducing function

See pages 59; 60

The orifices built into the control covers are threaded type orifices. These are standard orifices. **No** type is entered in the ordering detail.

Orifice as shown within the main symbol



## R-rings dimensions for ports X, Y, Z1, Z2 (are included within the scope of supply)

NS	Dimensions in mm	Material No.	
		NBR	FKM
16	8.41 x 1.40 x 1.78	R900025407	R900025408
25	9.81 x 1.50 x 1.78	R900017453	R900017610
32	11.18 x 1.60 x 1.78	R900017455	R900017611
40, 50	13.00 x 2.30 x 2.62	R900017457	R900017617
63	18.72 x 2.62 x 2.62	R900024445	R900024446
80	26.57 x 3.53 x 3.53	R900017466	R900017630
100	34.52 x 3.53 x 3.53	R900017472	R900017633

## Seal kits for control cover type LFA../. (NS 16 to 63)

Seal kit for LFA...		Material No.					
		NS 16		NS 25		NS 32	
		NBR	FKM	NBR	FKM	NBR	FKM
..DR.. <sup>1)</sup>	Pilot control ..DR6..	R900311273	R900311276	R900311273	R900311276	R900311273	R900311276
	Control ..DR.. cover LFA..DRW..	R900313701	R900313702	R900313703	R900313704	R900313705	R900313706
..DRW.. <sup>1)</sup>	Pilot control ..ZDR6..	R900314298	R900314299	R900314298	R900314299	R900314298	R900314299
DREV.; ..DREVV.. ..DREZ.; ..DREWZ..				R900313885	R900313886	R900313887	R900313888

Seal kit for LFA...		Material No.					
		NS 40		NS 50		NS 63	
		NBR	FKM	NBR	FKM	NBR	FKM
..DR.. <sup>1)</sup>	Pilot control ..DR6..	R900311273	R900311276	R900311273	R900311276	R900311273	R900311276
	Control ..DR.. cover LFA..DRW..	R900313889	R900313890	R900313889	R900313890	R900313891	R900313892
..DRW.. <sup>1)</sup>	Pilot control ..ZDR6..	R900314298	R900314299	R900314298	R900314299	R900314298	R900314299
DREV.; ..DREVV.. <sup>2)</sup> ..DREZ.; ..DREWZ.. <sup>2)</sup>		R900313881	R900313882	R900313881	R900313882	R900313883	R900313884

<sup>1)</sup> The seals for the pilot valves (DR6..., ZDR...) are **not** included within the scope of supply.

<sup>2)</sup> For pilot valve seal kits see the relevant catalogue sheet.

## Fixing screws (are included within the scope of supply)

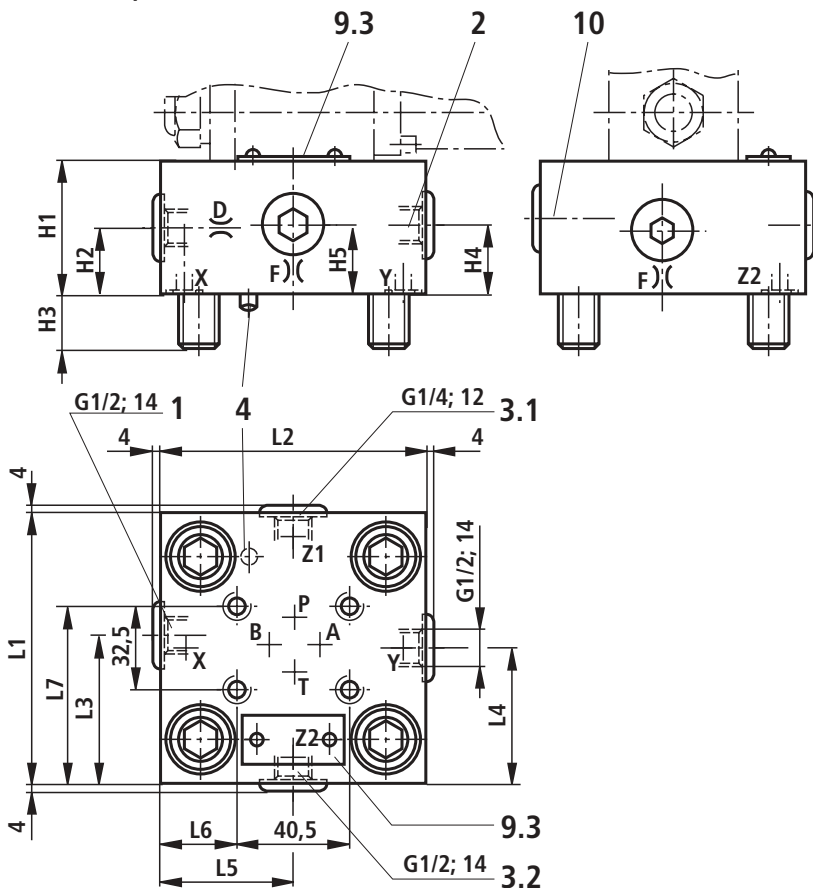
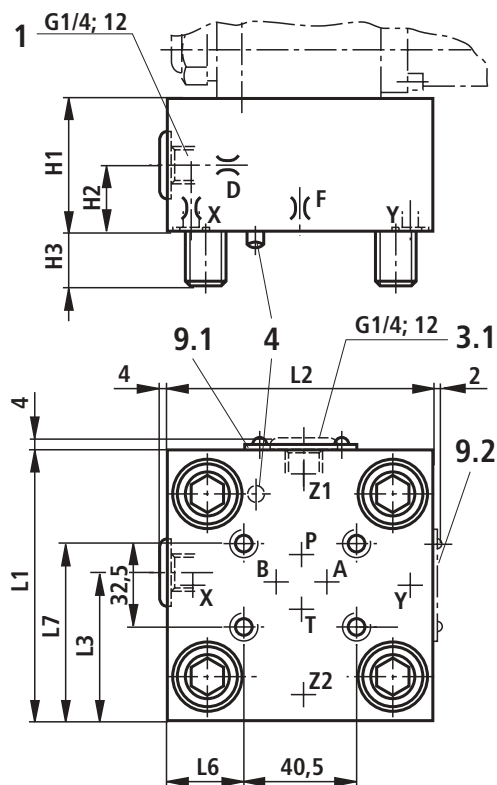
S.H.C.S. to DIN 912-10.9

NS	Qty.	Dimensions	Tightening torque in Nm
16	4	M 8 x 45	32
25	4	M 12 x 50	110
32	4	M 16 x 60	270
40	4	M 20 x 70	520
50	4	M 20 x 80	520
63	4	M 30 x 100	1800

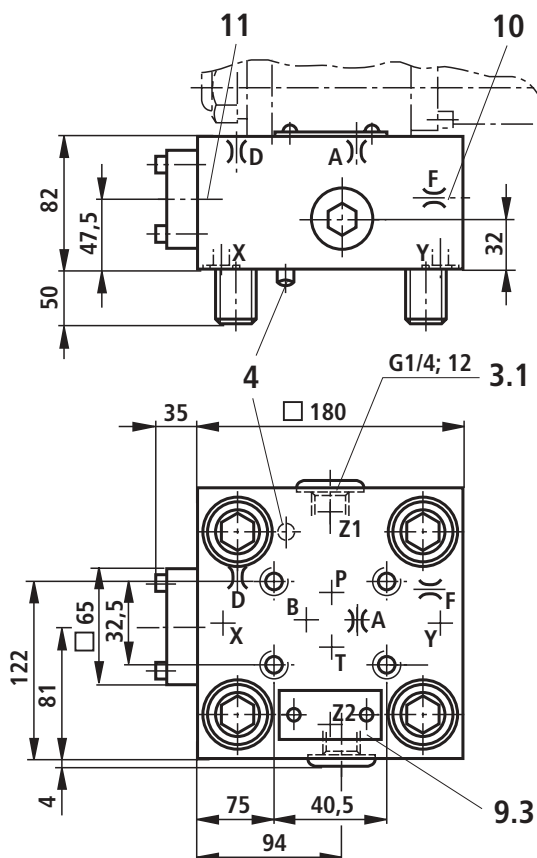
# Control covers for versions DR, DRW, DREV, DREZ, DREWV and DREWZ

NS 16, 25, 32

NS 40, 50



NS 63



NS	16	25	32	40	50
H1	40	40	50	60	68
H2	17	19	26	30	32
H3	15	24	28	32	34
H4				40	32
H5				40	32
L1	65	85	100	125	140
L2	80	85	100	125	140
L3	36.5	49	56.5	72	80
L4				62.5	70
L5				62.5	70
L6	7	23.5	31	43.5	51
L7	49	59	66.5	79	86.5

- 1 Port X optionally as a threaded port (for NS 16...50)
- 2 Port Y optionally as a threaded port (for NS 40, 50)
- 3.1 Port Z1 optionally as threaded port (for LFA..DREZ.., LFA..DREWZ..., NS 25..63)
- 3.2 Port Z2 optionally as threaded port (for NS 40, 50, 63)
- 4 Locating pin
- 9.1 Name plate (NS 16)
- 9.2 Name plate (NS 25, 32)
- 9.3 Name plate (NS 40, 50, 63)
- 10 Check valve (for NS 63 orifice F in poppet)
- 11 For control cover NS 63 Logic element NS 16

# Control cover for pressure reducing functions

Main spool normally closed - LC..DB 40 D.. – separate order

## NS 16 to 63

1	2	3	4	5	6	7
LFA		DR		7X		

Nominal size 16	= 16
Nominal size 25	= 25
Nominal size 32	= 32
Nominal size 40	= 40
Nominal size 50	= 50
Nominal size 63	= 63

### Adjustment type

Rotary knob	= 1
Set screw with hexagon and protective cap	= 2
Lockable rotary knob with scale	= 3 <sup>1)</sup>
Rotary knob with scale	= 4

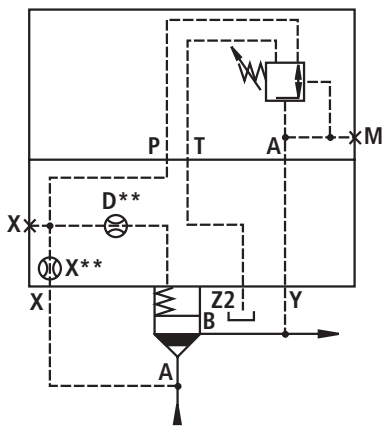
No code = NBR seals  
 V = FKM seals  
 (other seals on request)

**⚠ Attention!**  
 The compatibility of the seals and pressure fluid has to be taken into account!

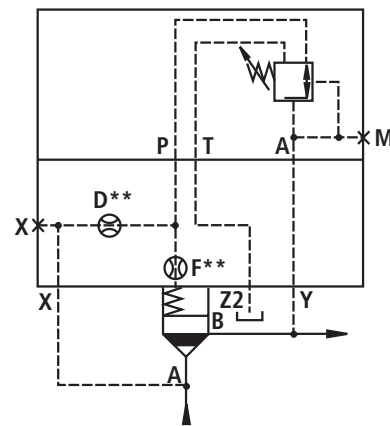
025 =	Max. secondary pressure 25 bar
075 =	Max. secondary pressure 75 bar
150 =	Max. secondary pressure 150 bar
210 =	Max. secondary pressure 210 bar
315 =	Max. secondary pressure 315 bar

7X = Series 7X (NS 16 to 63)

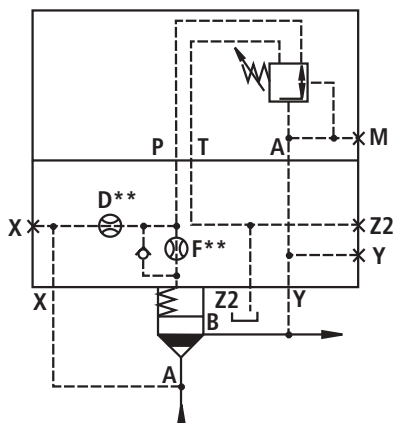
<sup>1)</sup> H-key to Material No. **R900008158** is included within the scope of supply



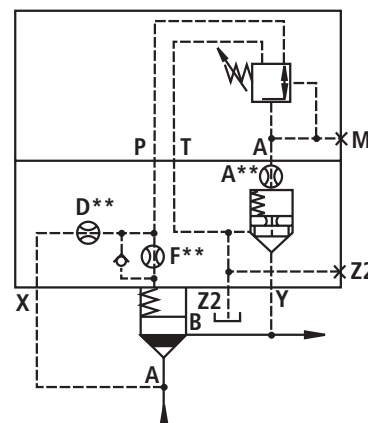
LFA..DR.-7X/...  
NS 16



LFA..DR.-7X/...  
NS 25, 32



LFA..DR.-7X/...  
NS 40, 50



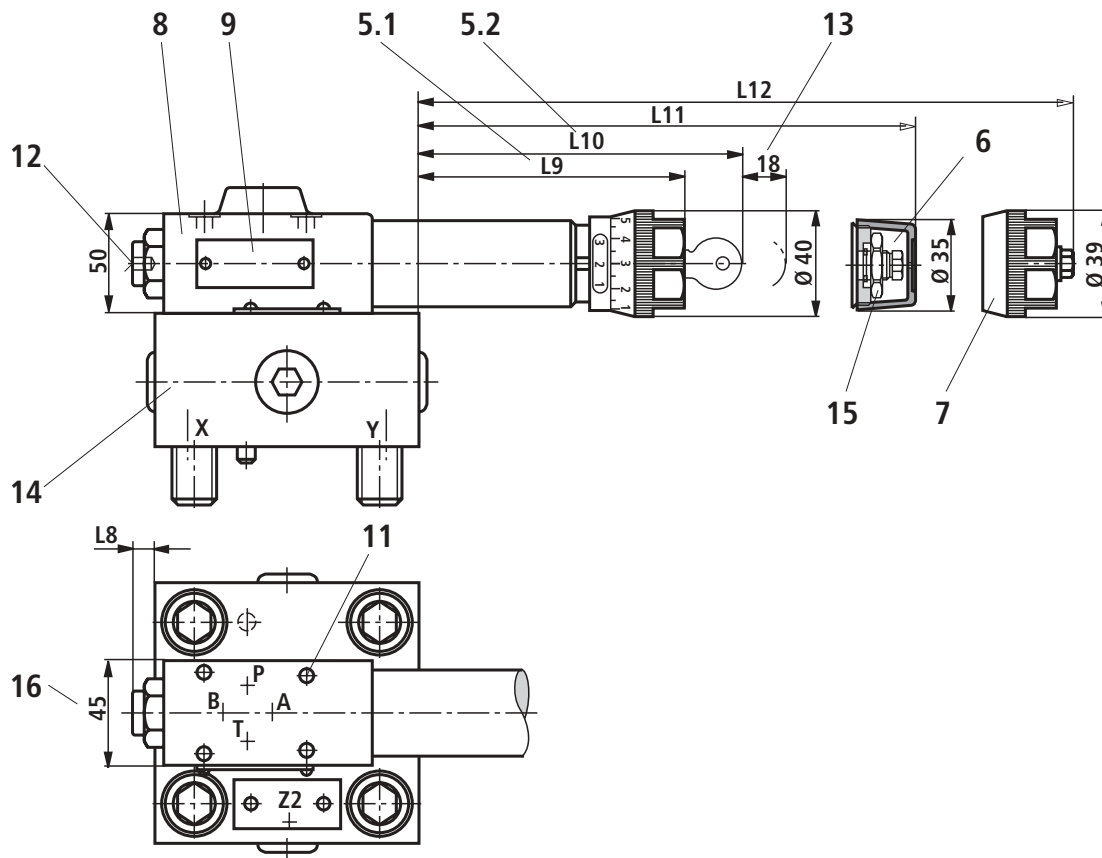
LFA..DR.-7X/...  
NS 63

## Control cover for pressure reducing functions

Main spool normally closed - LC..DB 40 D.. – separate order

NS 16 to 63

Dimensions in mm



- 5.1 Adjustment element "4"
- 5.2 Adjustment element "3"
- 6 Adjustment element "2"
- 7 Adjustment element "1"
- 8 Direct operated pressure reducing valve (is included within the scope of supply)
- 9 Name plate for pressure reducing valves
- 11 Valve fixing screws  
M5x50 DIN 912-10.9  $M_A = 8.9$  Nm  
are included within the control cover  
scope of supply
- 12 Pressure gauge port G 1/4, 12 deep;  
Socket screw 6A/F
- 13 Space required to remove the key
- 14 Control cover, see page 52
- 15 Locknut 24A/F
- 16 For type .../315 → 50 mm

NS	16	25	32	40	50	63
A**1)						2.0
F**1)		0.8	1.0	1.2	1.5	1.5
X**1)	2.5					
D**2)	0.8	3.0	3.0	3.0	3.0	3.0
.../315	0.8	1.8	1.8	1.8	1.8	1.8
L8	22	5.5				
.../315	30.5	14	6			
L9	119.5	131	123.5	111	103.5	87.5
.../315	116.5	128	120.5	108	100.5	84.5
L10	143.5	155	148.5	135	128.5	111.5
.../315	140.5	152	145.5	132	125.5	108.5
L11	99.5	111	103.5	91	83.5	67.5
.../315	96.5	108	100.5	88	80.5	64.5
L12	99.5	111	103.5	91	83.5	67.5
.../315	96.5	108	100.5	88	80.5	64.5
Special dim.	See page 52					

\*\* Orifice Ø

1) Orifice M6 tapered

2) Orifice M6 tapered (NS16, 63), orifice M8 x 1 tapered (NS25...50)

# Control cover for pressure reducing and isolating functions

Main spool normally closed - LC..DB 40 D.. – separate order

## NS 16 to 63

1	2	3	4	5	6	7
LFA		DRW		7X		

Nominal size 16	= 16
Nominal size 25	= 25
Nominal size 32	= 32
Nominal size 40	= 40
Nominal size 50	= 50
Nominal size 63	= 63

### Adjustment type

Rotary knob	= 1
Set screw with hexagon and protection cap	= 2
Lockable rotary knob with scale	= 3 <sup>1)</sup>
Rotary knob with scale	= 4

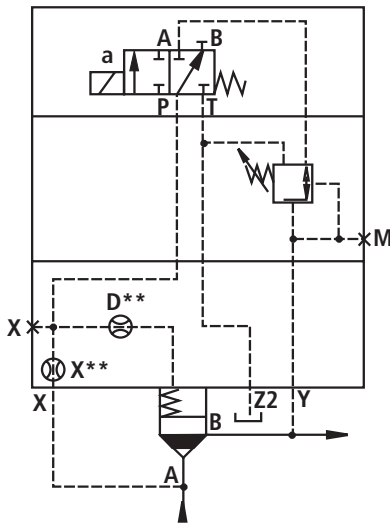
<sup>1)</sup> H-key for Material No. **R900008158** is included within scope of supply

No code = NBR seals  
 V = FKM seals  
 (other seals on request)

**⚠ Attention!**  
 The compatibility of the seals and pressure fluid has to be taken into account!

025 =	Max. secondary pressure 25 bar
075 =	Max. secondary pressure 75 bar
150 =	Max. secondary pressure 150 bar
210 =	Max. secondary pressure 210 bar
315 =	Max. secondary pressure 315 bar

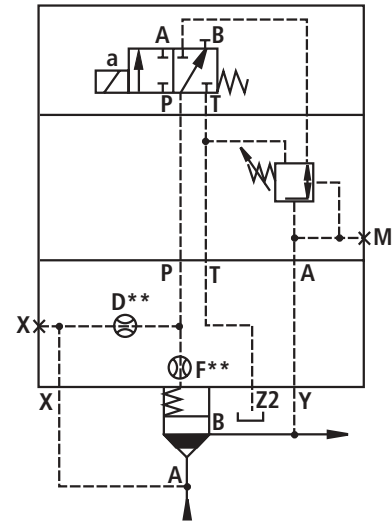
7X = Series 7X (NS 16 to 63)



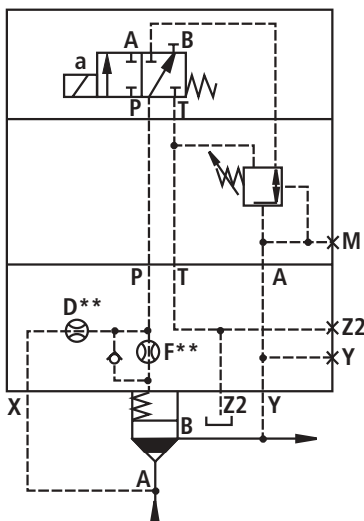
LFA..DRW.-7X/...  
NS 16

### 3WE 6 B9-../..

Solenoid de-energised → closed  
 Solenoid energised → pressure reducing function



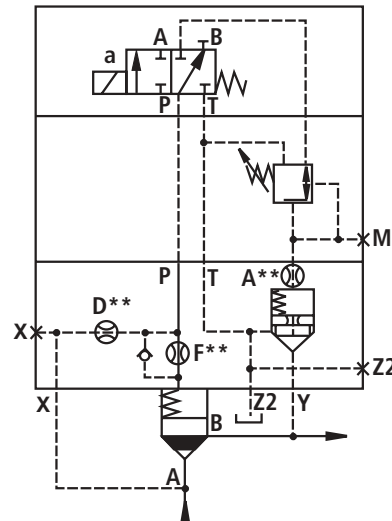
LFA..DRW.-7X/...  
NS 25, 32



LFA..DRW.-7X/...  
NS 40, 50

### 3WE 6 B9-../..

Solenoid de-energised → closed  
 Solenoid energised → pressure reducing function



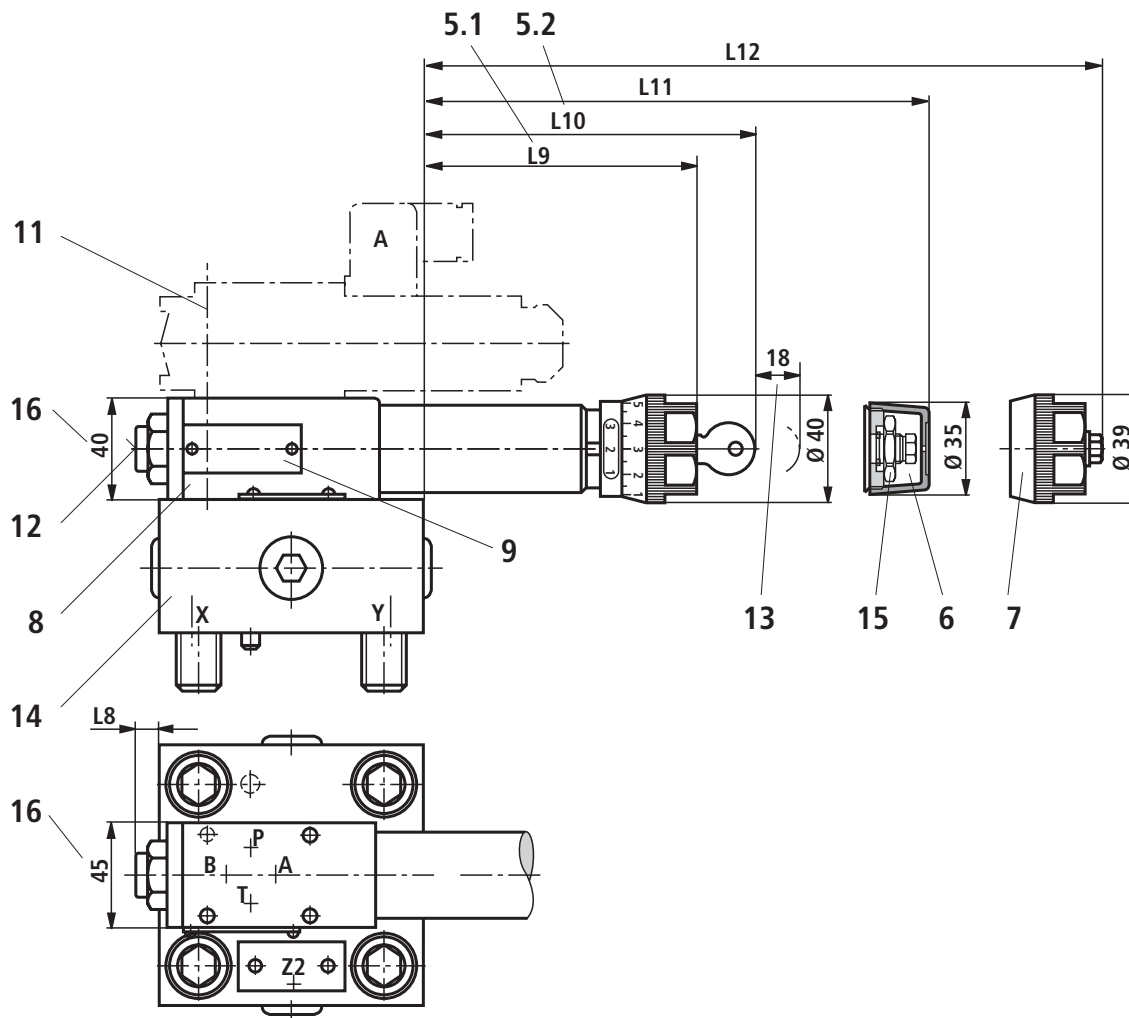
LFA..DRW.-7X/...  
NS 63

## Control cover for pressure reducing and isolating functions

Main spool normally closed - LC..DB 40 D.. – separate order

NS 16 to 63

Dimensions in mm



- 5.1 Adjustment element "4"
- 5.2 Adjustment element "3"
- 6 Adjustment element "2"
- 7 Adjustment element "1"
- 8 Direct operated pressure reducing valve  
(included within the scope of supply)
- 9 Pressure reducing valve name plate
- 11 Valve fixing screws  
M5x50 DIN 912-10.9  $M_A = 8.9$  Nm  
are included within the control cover  
scope of supply
- 12 Pressure gauge port G 1/4, 12 deep;  
Socket screw 6A/F
- 13 Space required to remove the key
- 14 Control cover, see page 52
- 15 Locknut 24A/F
- 16 For type .../315 → □50 mm

NS	16	25	32	40	50	63
A**1)						2.0
X**1)	2.5					
F**1)		0.8	1.0	1.2	1.5	1.5
D**2)	0.8	3.0	3.0	3.0	3.0	3.0
.../315	0.8	1.8	1.8	1.8	1.8	1.8
L8	18	2				
.../315	30.5	14	6			
L9	123.5	135	127.5	115	107.5	91.5
.../315	116.5	128	120.5	108	100.5	84.5
L10	147.5	159	152.5	139	129.5	112.5
.../315	140.5	152	145.5	132	125.5	108.5
L11	103.5	115	107.5	95	87.5	71.5
.../315	96.5	108	100.5	88	80.5	64.5
L12	103.5	115	107.5	95	87.5	71.5
.../315	96.5	108	100.5	88	80.5	64.5
<b>Special dim.</b>	See page 52					

\*\* Orifice Ø

1) Orifice M6 tapered

2) Orifice M6 tapered (NS16, 63), orifice M8 x 1 tapered (NS25...50)

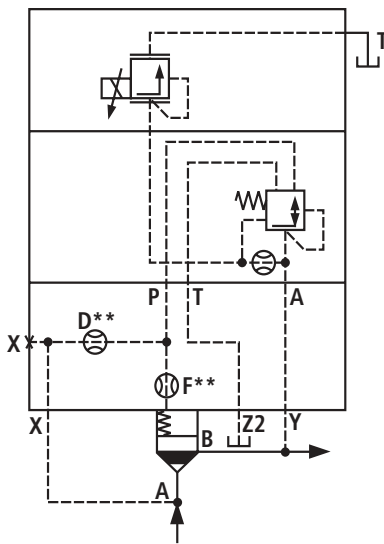


# Control cover for pressure reducing functions; electrical-proportional

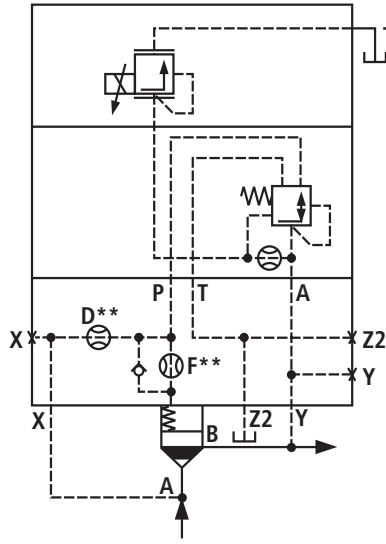
Main spool normally closed - LC..DB 40 D.. – separate order

## NS 25 to 63

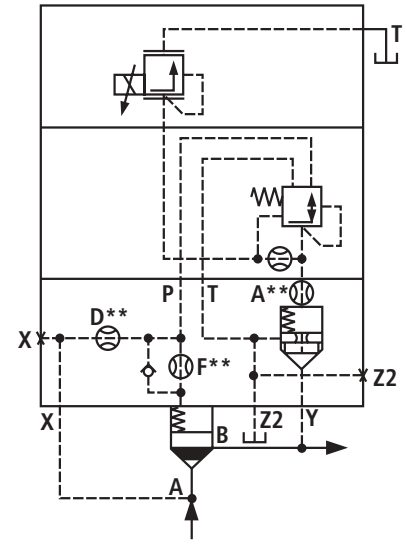
	1	2	3	5	6	7
LFA				7X		
Nominal size 25	= 25					
Nominal size 32	= 32					
Nominal size 40	= 40					
Nominal size 50	= 50					
Nominal size 63	= 63					
Pressure reducing function; electrical-proportional	= DREV					
Pressure reducing function; electrical-prop. and possibility for 2-way flow control function	= DREZ					
Series 7X (NS 25 to 63)	= 7X					
No code =	NBR seals					
V =	FKM seals (other seals on request)					
<b>⚠ Attention!</b>						
The compatibility of the seals and pressure fluid has to be taken into account!						
<b>Pressure stages</b> (pressure reducing valve)						
006 =	7.0 bar (only for DREV)					
014 =	16.0 bar (only for DREZ)					



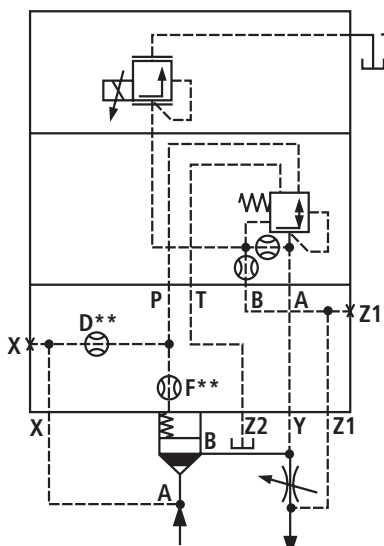
LFA..DREV-7X/006  
NS 25, 32



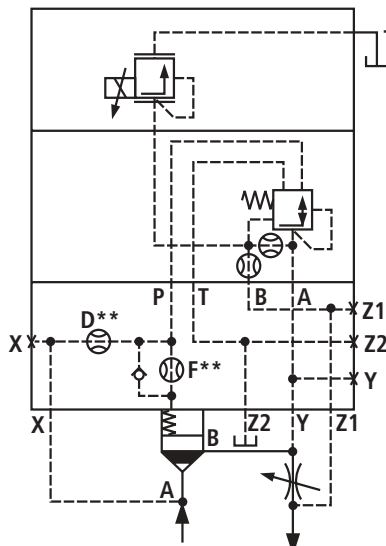
LFA..DREV-7X/006  
NS 40, 50



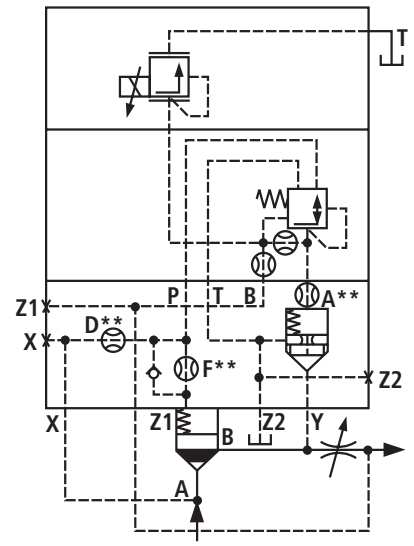
LFA..DREV-7X/006  
NS 63



LFA..DREZ-7X/014  
NS 25, 32



LFA..DREZ-7X/014  
NS 40, 50



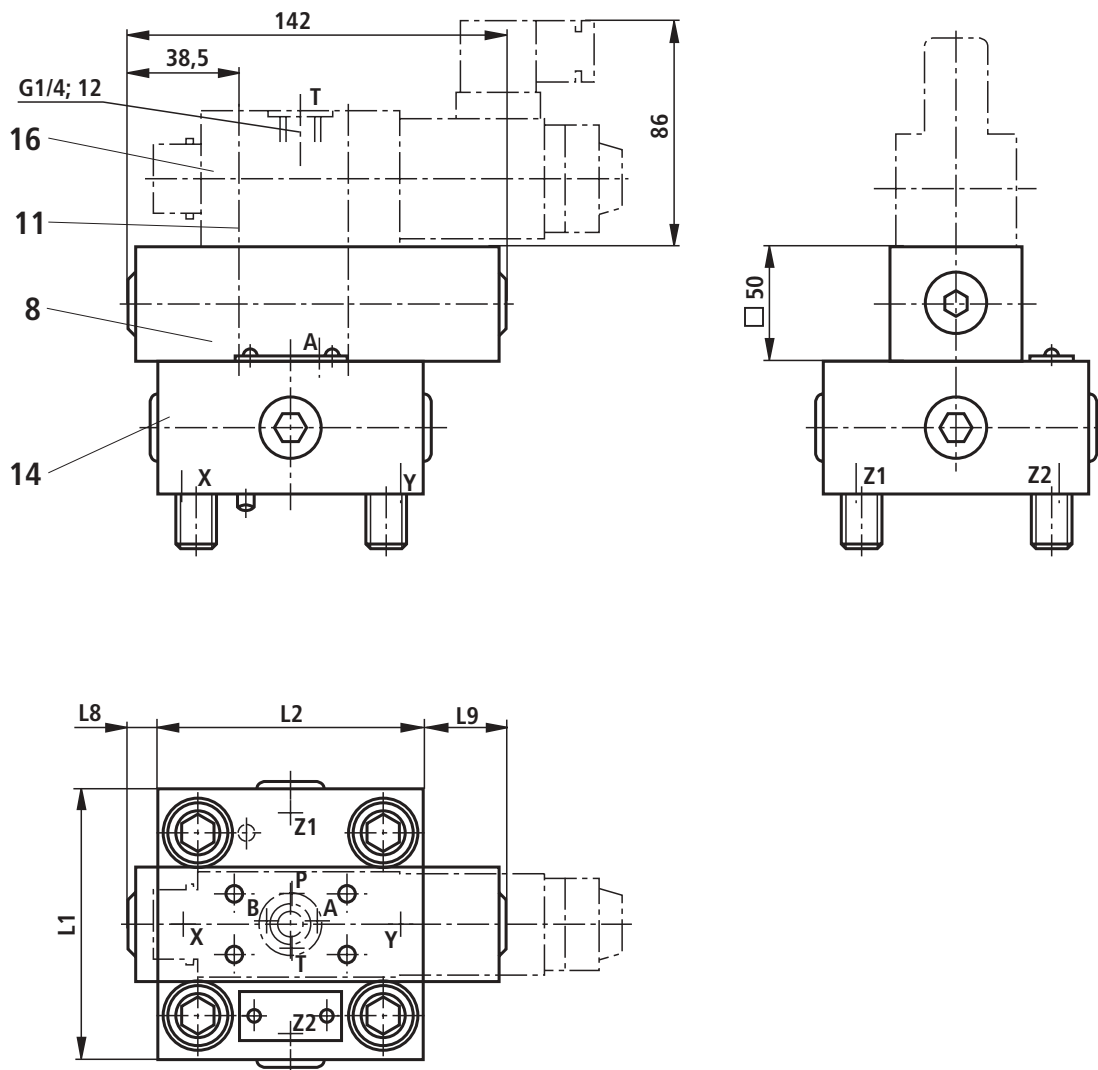
LFA..DREZ-7X/014  
NS 63

## Control cover for pressure reducing functions; electrical-proportional

Main spool normally closed - LC..DB 40 D.. – separate order

NS 25 to 63

Dimensions in mm



- 8** Pressure reducing valve (is included within the scope of supply)
  - 11** Valve fixing screws  
M5 DIN 912-10.9  $M_A = 8.9$  Nm  
are included within the scope of supply
  - 14** Control cover, see page 52
  - 16** Proportional pressure relief valve  
DBET-5X/...<sup>3)</sup>Y G24-1<sup>4)</sup>  
(must be ordered separately)
- <sup>3)</sup> Pressure stages for valve type:  
DBET-5X/... 50, 100, 200, 315  
and 350 bar
- <sup>4)</sup> 1 = G 1/4 threaded port T,  
special poppet

NS	A** <sup>1)</sup>	F** <sup>1)</sup>	D** <sup>2)</sup>	L1	L2	L8	L9	Special dim.
25		0.8	1.5	85	85	15	42	See page 52
32		1.0	1.5	100	100	7.5	35	
40		1.2	1.8	125	125		22	
50		1.5	1.8	140	140		15	
63	2.0	1.5	1.8	180	180			

\*\* Orifice  $\emptyset$

<sup>1)</sup> Orifice M6 tapered

<sup>2)</sup> Orifice M8 x 1 tapered (NS25...50), orifice M6 tapered (NS63)

# Control cover for pressure reducing functions and isolating functions; electrical-proportional

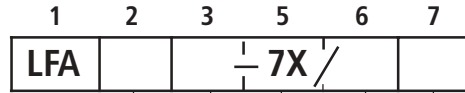
Main spool normally closed - LC..DB 40 D.. – separate order

## NS 25 to 63

Nominal size 25  
 Nominal size 32  
 Nominal size 40  
 Nominal size 50  
 Nominal size 63

Pressure reducing function,  
 electrical-proportional and isolating function

Pressure reducing function, electr.-prop. and  
 isolating function, including possibility for  
 2-way flow control function



= 25  
 = 32  
 = 40  
 = 50  
 = 63

= DREWV

= DREWZ

= 7X

No code =  
 V =

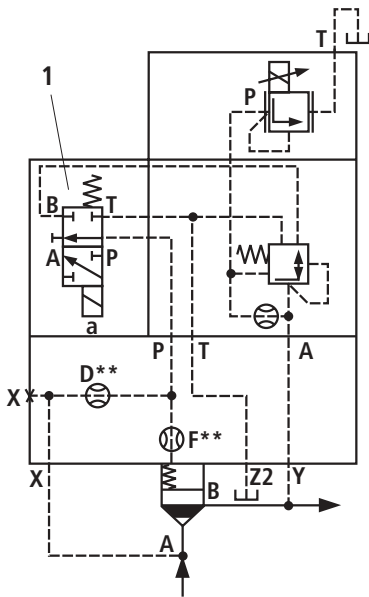
NBR seals  
 FKM seals  
 (other seals on request)

### ⚠ Attention!

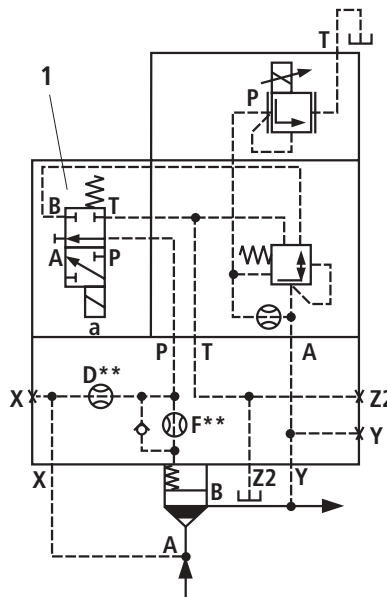
The compatibility of the seals and pressure  
 fluid has to be taken into account!

### Pressure stages

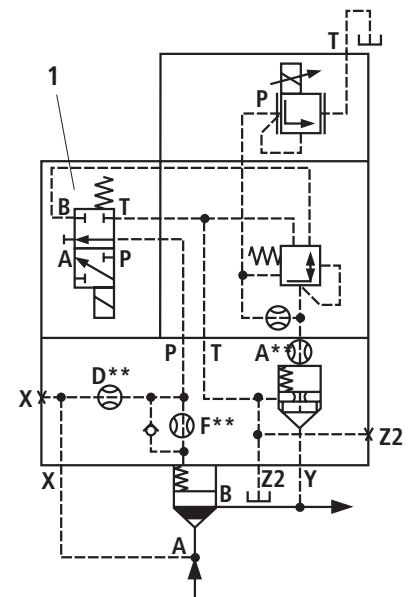
006 = 7.0 bar (only for DREWV)  
 014 = 16.0 bar (only for DREWZ)  
 Series 7X (NS 25 to 63)



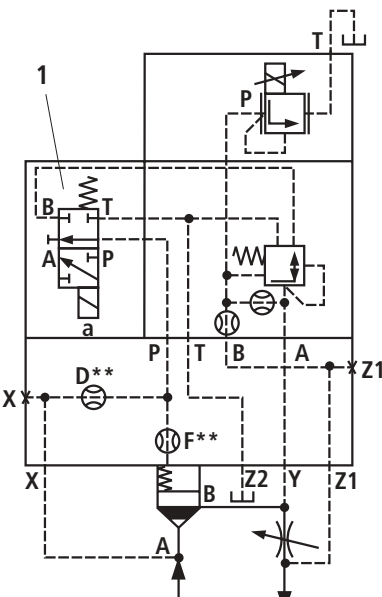
LFA..DREWV-7X/006  
 NS 25, 32



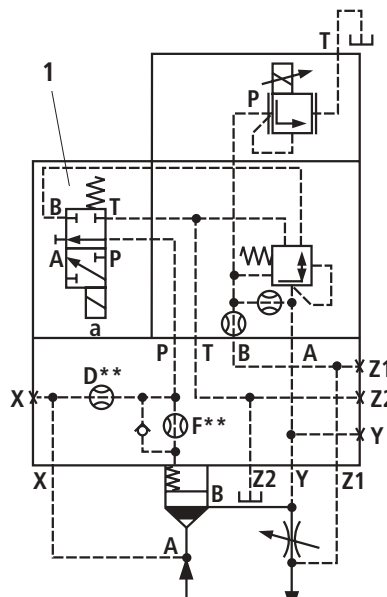
LFA..DREWV-7X/006  
 NS 40, 50



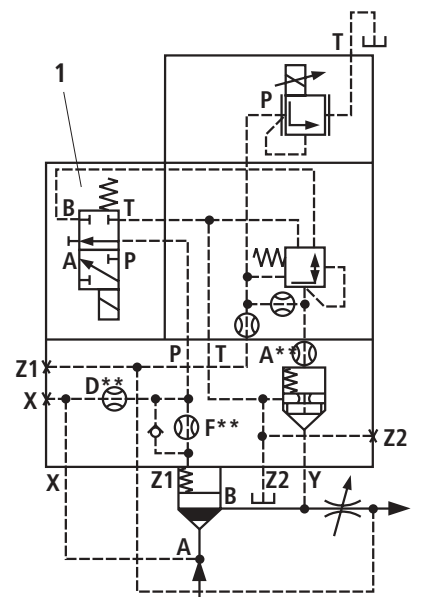
LFA..DREWV-7X/006  
 NS 63



LFA..DREWZ-7X/014  
 NS 25, 32



LFA..DREWZ-7X/014  
 NS 40, 50



LFA..DREWZ-7X/014  
 NS 63

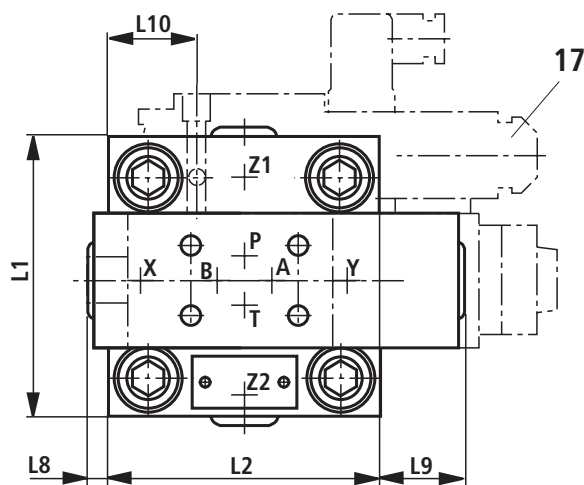
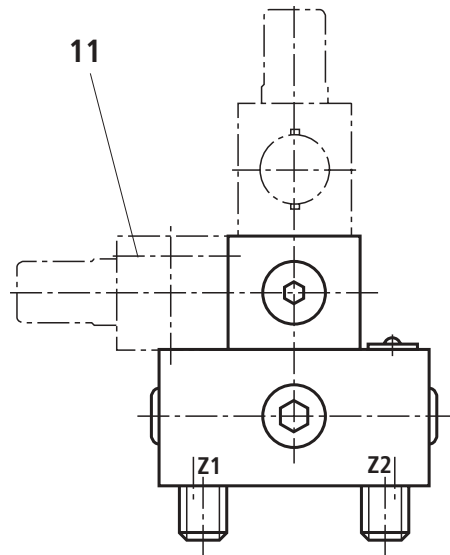
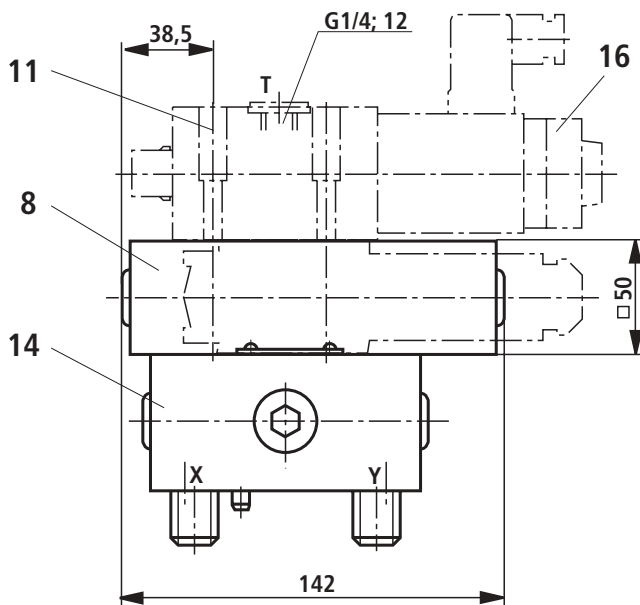
1 3WE 6 A-../.. Solenoid de-energised → closed  
 Solenoid energised → pressure reducing function

# Control cover for pressure reducing functions and isolating functions; electrical-proportional

Main spool normally closed - LC..DB 40 D.. – separate order

NS 25 to 63

Dimensions in mm



- 8** Pressure reducing valve (is included within the scope of supply)
  - 11** Valve fixing screws  
M5 DIN 912-10.9  $M_A = 8.9$  Nm  
are included with the scope of supply
  - 14** Control cover, see page 52
  - 16** Proportional pressure relief valve  
DBET-5X/...<sup>3)</sup>Y G24-1<sup>4)</sup>  
(must be ordered separately,  
see page 49)
  - 17** Directional spool valve 3WE 6 A...  
(must be ordered separately,  
see page 49)
- <sup>3)</sup> Pressure stages of valve type:  
DBET-5X/... 50, 100, 200, 315  
and 350 bar
- <sup>4)</sup> 1 = G 1/4 threaded port T,  
special port

NS	A**1)	F**1)	D**2)	L1	L2	L8	L9	L10	Special dim.
25		0.8	1.5	85	85	15	42	30	See page 52
32		1.0	1.5	100	100	7.5	35	37.5	
40		1.2	1.8	125	125		22	50	
50		1.5	1.8	140	140		15	57.5	
63	2.0	1.5	1.8	180	180			81.5	

\*\* Orifice Ø

1) Orifice M6 tapered

2) Orifice M8 x 1 tapered (NS 25...50), orifice M6 tapered (NS 63)

## Pressure sequencing functions

### General information regarding control cover for pressure sequencing functions

					1	2	3	4	5	6	7	8
					<div style="border: 1px solid black; padding: 5px; display: inline-block;">                     LFA <span style="border: 1px solid black; padding: 2px 10px;"> </span> <span style="border: 1px solid black; padding: 2px 10px;"> </span> <span style="border: 1px solid black; padding: 2px 10px;"> </span> <span style="border: 1px solid black; padding: 2px 10px;"> </span> <span style="border: 1px solid black; padding: 2px 10px;"> </span> <span style="border: 1px solid black; padding: 2px 10px;"> </span> <span style="border: 1px solid black; padding: 2px 10px;"> </span> <span style="border: 1px solid black; padding: 2px 10px;"> </span> <span style="border: 1px solid black; padding: 2px 10px;"> </span> <span style="border: 1px solid black; padding: 2px 10px;"> </span> </div>							
					● = Available							
Nominal size					Type	Adjustment type	Series	Max. settable sequencing pressure in bar	Pilot oil supply	Seal material	Page	
•	•	•	•	•	DZ			210		Ordering details	63, 64	
•	•	•	•	•	DZWA			315	see pages		65, 66	
•	•	•	•	•	DZWB			350	63 and 65		65, 66	

Preferred types and standard components can be found in the EPS (Standard Price List).

- 4** Adjustment type for pressure sequence valves
- 1 = Rotary knob
  - 2 = Hexagon with protective cap
  - 3 = Lockable rotary knob with scale (H-key to automotive industry standard)
  - 4 = Rotary knob with scale not lockable

For seal kits see page 62

#### ⚠ Attention !

Control cover types LFA..DZ...are combined with 2-way cartridge valves type LC..DB... (for ordering details see page 5)

#### Directional spool valve (porting pattern to DIN 24 340 form A6)

Directional spool valve Type	NS	Catalogue sheet RE No.	Control cover Type
4WE 6 D../..	6	23 178	DZWA, DZWB

**5** Series  
**7X** = Series 70 to 79  
 (unchanged installation and connection dimensions)

**7** Pilot oil supply  
**No code =**  
**X =**  
**Y =**  
**XY =**

Ordering details to symbol (see pages 63 and 65)

The orifices built into the control cover are threaded type orifices. These are standard orifices. **No** type coded is entered in the ordering code.

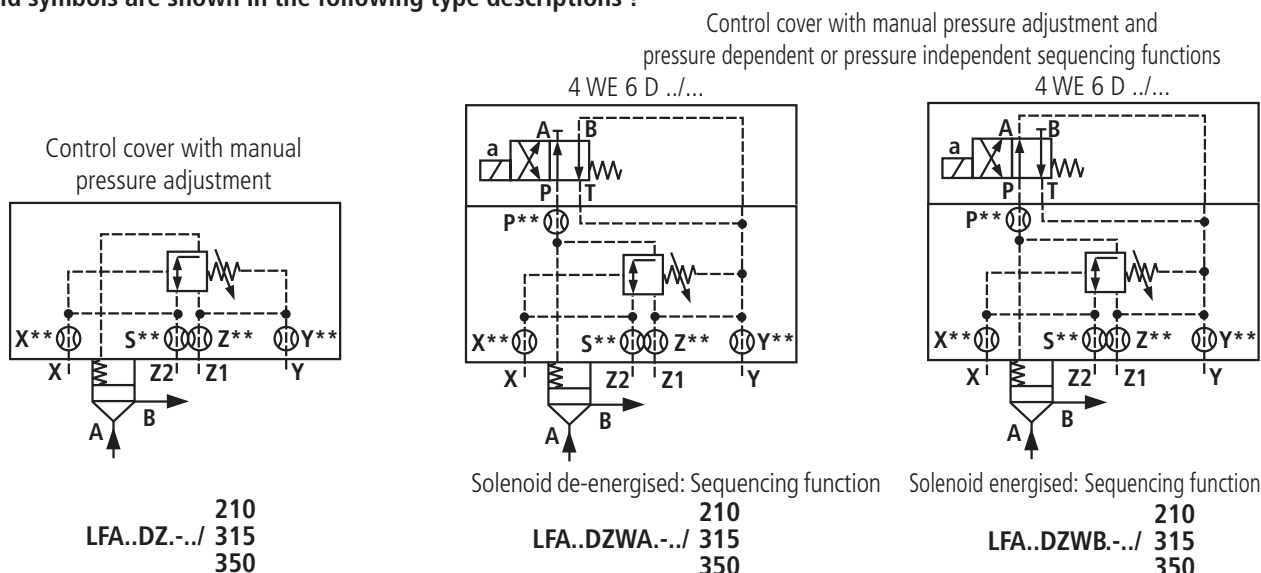
Orifice as shown within the main symbol

⚠ Attention ! Pilot valves (electrical directional spool valves type 4WE 6 D...) must be ordered separately, for further details see catalogue sheet RE 23 178.

Valve fixing screws M5 x 50 DIN 912-10.9,  $M_A = 8.9 \text{ Nm}$  are included within the control cover scope of supply.

## Overview of symbols (basic symbols), pressure sequencing functions

Valid symbols are shown in the following type descriptions !



## Control cover for pressure sequencing functions

### Technical data (for applications outside these parameters, please consult us!)

Pressure fluid	Mineral oil (HL, HLP) to DIN 51 524 <sup>1)</sup> ; Fast bio-degradable pressure fluids to VDMA 24 568 (also see RE 90 221); HETG (rape seed oil) <sup>1)</sup> ; HEPG (polyglycols) <sup>2)</sup> ; HEES (synthetic ester) <sup>2)</sup> ; Other pressure fluids on request
<sup>1)</sup> Suitable for NBR <b>and</b> FKM seals <sup>2)</sup> <b>Only</b> suitable for FKM seals	
Pressure fluid temperature range	°C – 30 to + 80 for NBR seals – 20 to + 80 for FKM seals
Viscosity range	mm <sup>2</sup> /s 2.8 to 380
Cleanliness class to ISO code	Maximum permissible degree of contamination of the pressure fluid is to ISO 4406 (C) class 20/18/15 <sup>3)</sup>

<sup>3)</sup> The cleanliness class stated for the components must be adhered too in hydraulic systems. Effective filtration prevents faults from occurring and at the same time increases the component service life.  
For the selection of filters see catalogue sheets RE 50 070, RE 50 076 and RE 50 081.

### Control cover

Max. perm operating pressure im Anschluss ...	Control cover type		
	LFA..DZ.-../...	LFA..DZW.-../...	LFA..DZW.-../...
		/... /...X	/...Y /...XY
...X; ...Z2	315 bar		
...Y	Zero pressure (up to ≈ 2 bar)		
When regulating the pressure		210 bar (=) <sup>1)</sup>	160 bar (-) <sup>1)</sup>
Static	315 bar		
...Z1	Zero pressure (up to ≈ 2 bar)		
When regulating the pressure		210 bar (=) <sup>1)</sup>	315 bar
Static	315 bar	160 bar (-) <sup>1)</sup>	
Settable sequencing pressure		210 315 350	

<sup>1)</sup> Max. perm. value 4WE 6 D

### R-rings dimensions for ports X, Y, Z1, Z2 (are included within the scope of supply)

NS	Dimensions in mm	Material No.	
		NBR	FKM
16	8.41 x 1.40 x 1.78	R900025407	R900025408
25	9.81 x 1.50 x 1.78	R900017453	R900017610
32	11.18 x 1.60 x 1.78	R900017455	R900017611
40, 50	13.00 x 2.30 x 2.62	R900017457	R900017617

## Seal kits for cartridge valves and control covers

### Seal kits for cartridge valves Type LC.. DB../... (NS 16 ... 50)

Seal kit for	Material No.	
	NBR	FKM
LC 16 DB..7X/..	R900313104	R900313107
LC 25 DB..7X/..	R900313105	R900313108
LC 32 DB..7X/..	R900313106	R900313109
LC 40 DB..7X/..	R900873022	R900873025
LC 50 DB..7X/..	R900873023	R900873026

### Seal kits for control cover Type LFA.. /... (NS 16 ... 50)

Seal kit for LFA...	Material No.									
	16		25		32		40		50	
	NBR	FKM	NBR	FKM	NBR	FKM	NBR	FKM	NBR	FKM
...DZ...	R900860006		R900311540		R900311541		R900309378		R900312089	
...DZW...										

### Fixing screws (are included within the scope of supply)

S.H.C.S. to DIN 912-10.9

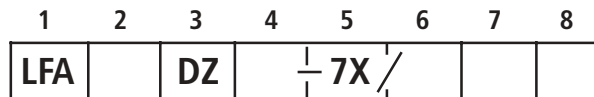
NS	Qty.	Dimensions	Tightening torque in Nm
16	4	M 8 x 115	32
25	4	M 12 x 120	110
32	4	M 16 x 120	270
40	4	M 20 x 70	520
50	4	M 20 x 80	520

### Orifice thread size

all built-in orifices: M6 tapered

# Control cover for pressure sequencing functions

## NS 16 to 50



Nominal size 16	= 16
Nominal size 25	= 25
Nominal size 32	= 32
Nominal size 40	= 40
Nominal size 50	= 50

### Adjustment type

Rotary knob	= 1
Hexagon with protective cap	= 2
Lockable rotary knob with scale (H-key to automotive industry standards)	= 3
Rotary knob with scale <b>not</b> lockable	= 4

Series 7X (NS 16 to 50) = 7X

### Pressure stages (max. settable sequencing pressure)

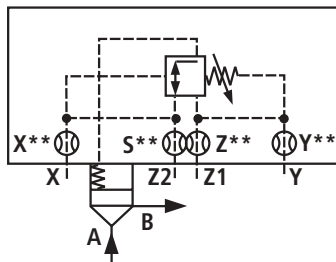
210 bar	= 210
315 bar	= 315
350 bar	= 350

No code = NBR seals  
 V = FKM seals  
 (other seals on request)

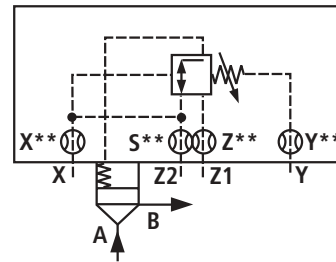
**Attention!**  
 The compatibility of the seals and pressure fluid has to be taken into account!

### Pilot oil supply

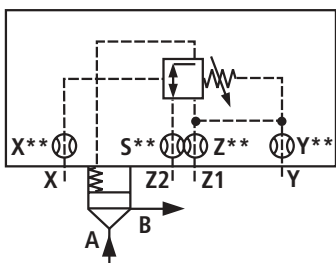
	Pilot oil supply	Pilot oil drain
No code =	Internal	Internal
X =	External	Internal
Y =	Internal	External
XY =	External	External



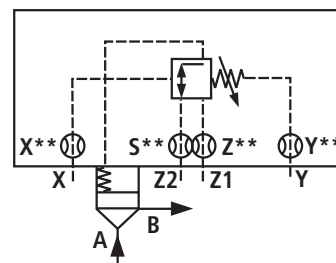
LFA..DZ.-./ 210  
315  
350



LFA..DZ.-./ 210  
315 X  
350



LFA..DZ.-./ 210  
315 X  
350

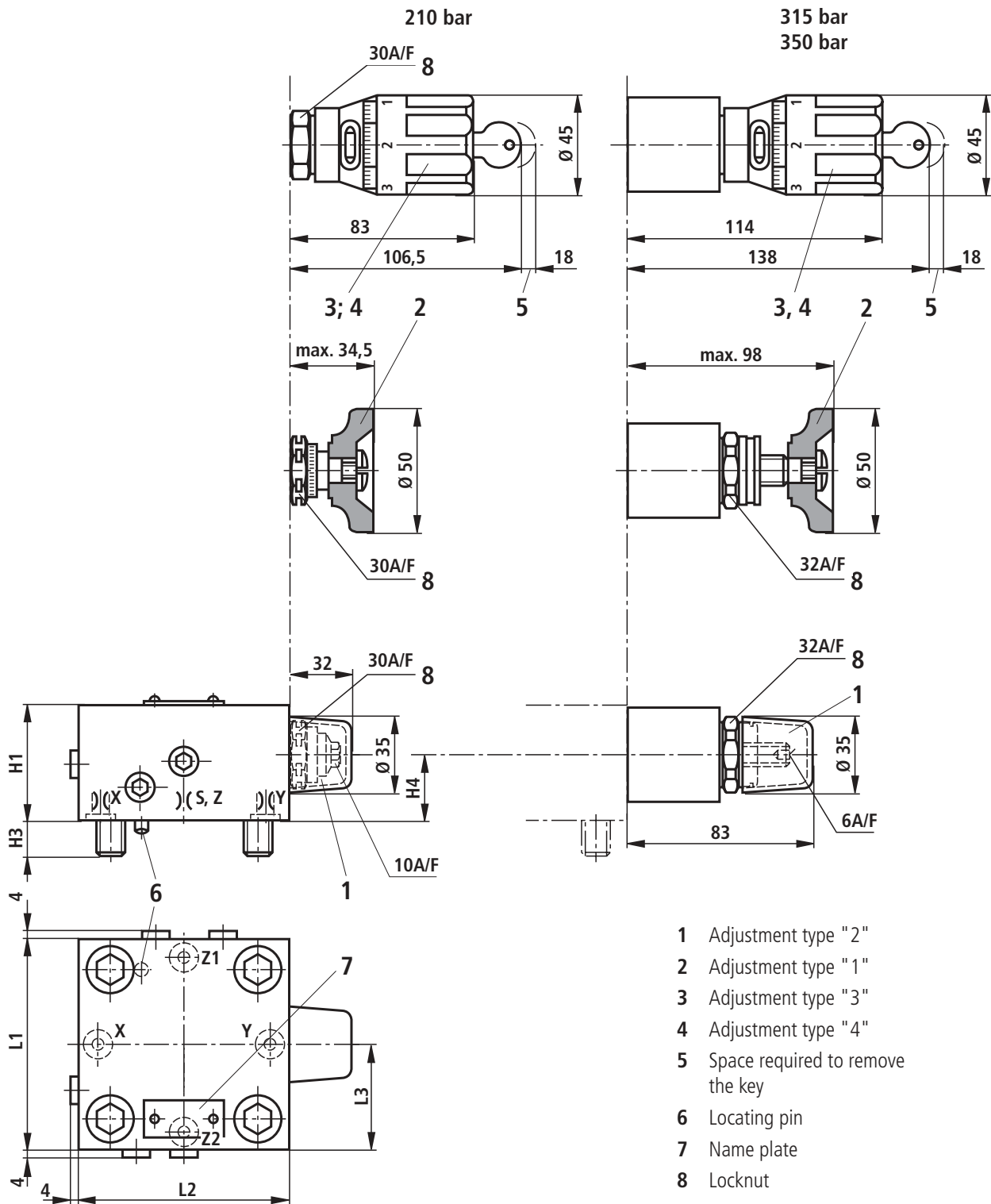


LFA..DZ.-./ 210  
315 XY  
350



# Control cover for pressure sequencing functions

## NS 16 bis 50



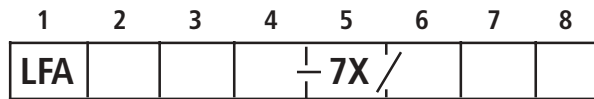
NS	S**1)	X**1)	Y**1)	Z**1)	H1	H3	H4	L1	L2	L3
16	0.8	0.8	1.0	1.0	40	16	20	65	105	39.5
25	0.8	0.8	1.0	1.0	40	24	20	85	110	53
32	1.0	1.0	1.2	1.2	50	28	25	100	115	60.5
40	1.0	1.0	1.2	1.2	60	32	36	125	125	62.5
50	1.0	1.0	1.2	1.2	68	34	36	140	140	70

\*\* Orifice Ø

1) All orifices M6 tapered

# Control cover for pressure dependent and independent sequencing functions

## NS 16 to 50



Nominal size 16  
 Nominal size 25  
 Nominal size 32  
 Nominal size 40  
 Nominal size 50

= 16  
 = 25  
 = 32  
 = 40  
 = 50

Solenoid de-energised: Pressure sequence function = **DZWA**  
 Solenoid energised: Open  
 Solenoid de-energised: Open = **DZWB**  
 solenoid energised: Pressure sequence function

### Adjustment type

Rotary knob = 1  
 Hexagon with protective cap = 2  
 Lockable rotary knob with scale = 3  
 (H-key to automotive industry standards)  
 Rotary knob with scale **not** lockable = 4

Series 7X (NS 16 to 50) = **7X**

No code = NBR seals  
 V = FKM seals  
 (other seals on request)

### Attention!

The compatibility of the seals and pressure fluid has to be taken into account!

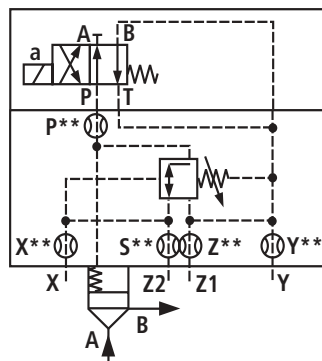
### Pilot oil supply

	Pilot oil supply	Pilot oil drain
No code =	Internal	Internal
X =	External	Internal
Y =	Internal	External
XY =	External	External

### Pressure stages (max. settable sequencing pressure)

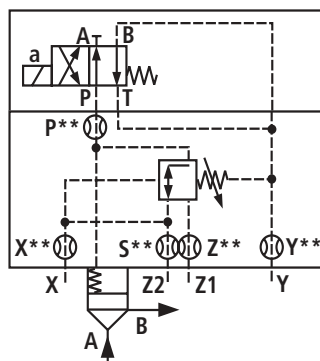
210 = 210 bar  
 315 = 315 bar  
 350 = 350 bar

4 WE 6 D ...



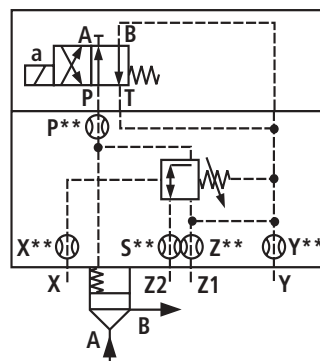
LFA..DZWA.../ 210  
 315  
 350

4 WE 6 D ...



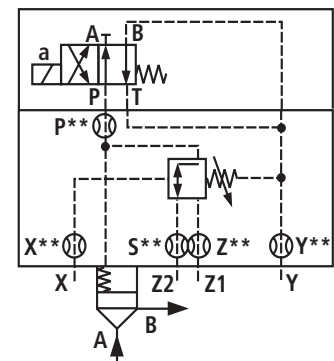
LFA..DZWA.../ 210  
 315 Y  
 350

4 WE 6 D ...



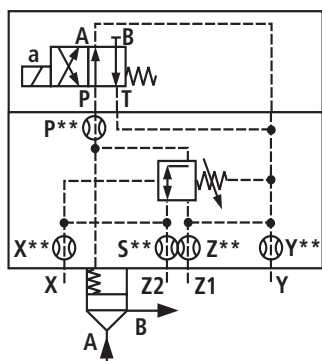
LFA..DZWA.../ 210  
 315 X  
 350

4 WE 6 D ...



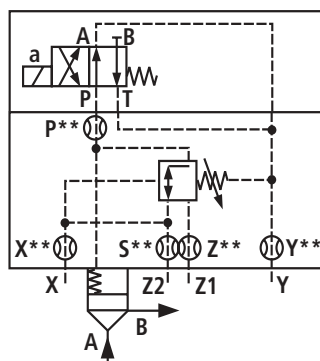
LFA..DZWA.../ 210  
 315 XY  
 350

4 WE 6 D ...



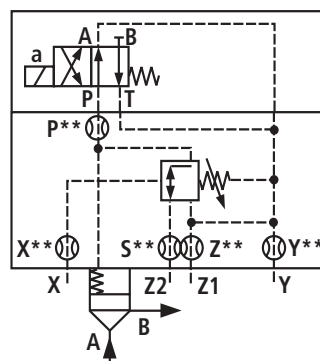
LFA..DZWB.../ 210  
 315  
 350

4 WE 6 D ...



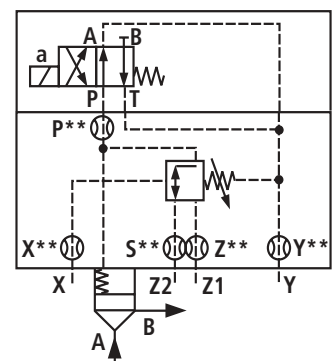
LFA..DZWB.../ 210  
 315 Y  
 350

4 WE 6 D ...



LFA..DZWB.../ 210  
 315 X  
 350

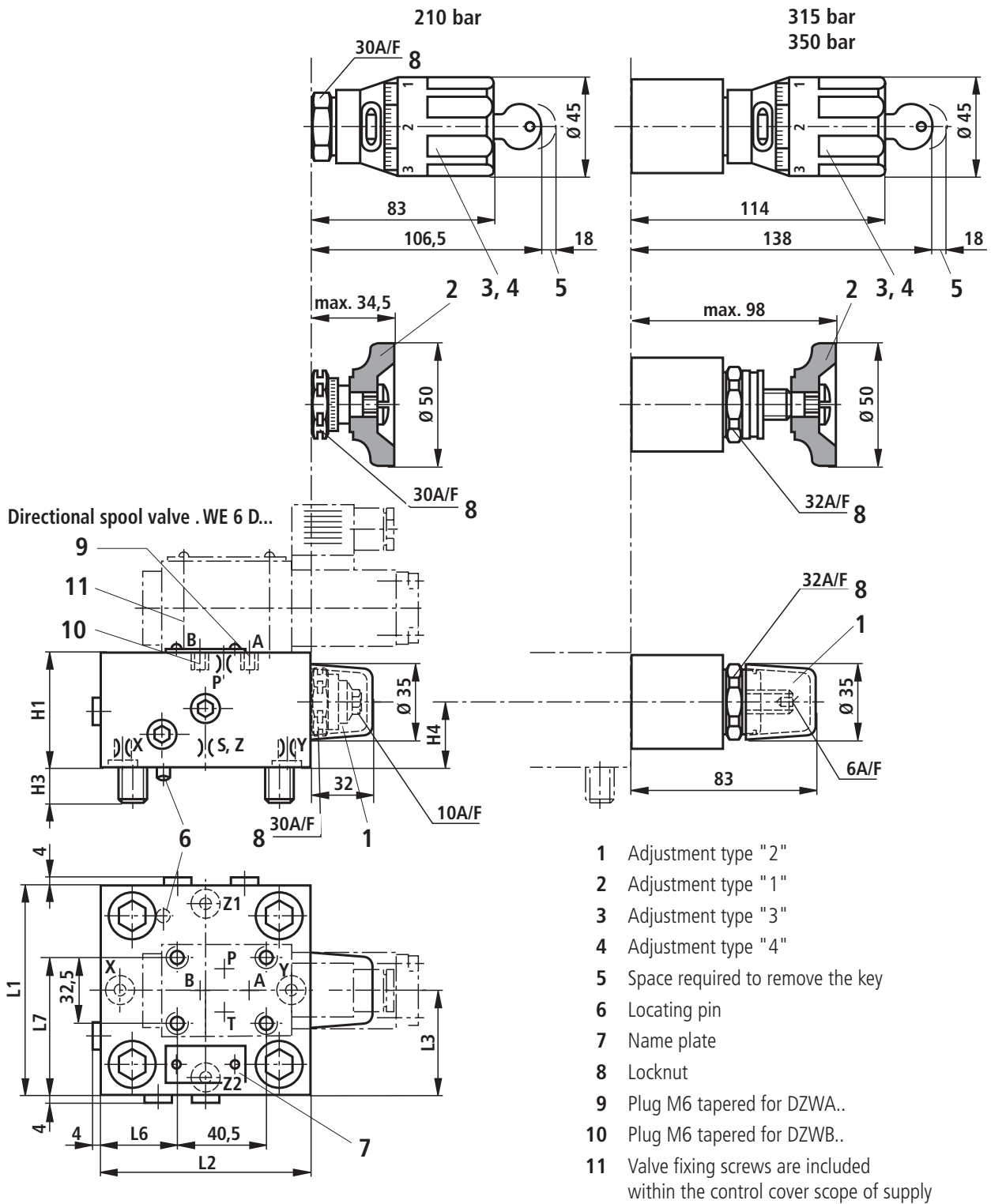
4 WE 6 D ...



LFA..DZWB.../ 210  
 315 XY  
 350

# Control cover for pressure dependent and independent sequencing functions

NS 16 to 50



NS	S**1)	X**1)	Y**1)	Z**1)	P**1)	H1	H3	H4	L1	L2	L3	L6	L7
16	0.8	0.8	1.0	1.0	1.0	40	16	20	65	105	39.5	16	49
25	0.8	0.8	1.0	1.0	1.0	40	24	20	85	110	53	21	59
32	1.0	1.0	1.2	1.2	1.2	50	28	25	100	115	60.5	26.5	66.5
40	1.0	1.0	1.2	1.2	1.2	60	32	36	125	125	62.5	55	76.5
50	1.0	1.0	1.2	1.2	1.2	68	34	36	140	140	70	70	84

\*\* Orifice Ø

1) All orifices 6 tapered

---

**Bosch Rexroth AG**  
**Industrial Hydraulics**

D-97813 Lohr am Main  
Zum Eisengießer 1 • D-97816 Lohr am Main  
Telefon 0 93 52 / 18-0  
Telefax 0 93 52 / 18-23 58 • Telex 6 89 418-0  
eMail [documentation@boschrexroth.de](mailto:documentation@boschrexroth.de)  
Internet [www.boschrexroth.de](http://www.boschrexroth.de)

**Bosch Rexroth Limited**

Cromwell Road, St Neots,  
Cambs, PE19 2ES  
Tel: 0 14 80/22 32 56  
Fax: 0 14 80/21 90 52  
E-mail: [info@boschrexroth.co.uk](mailto:info@boschrexroth.co.uk)

The data specified above only serves to describe the product. No statements concerning a certain condition or suitability for a certain application can be derived from our information. The details stated do not release you from the responsibility for carrying out your own assessment and verification. It must be remembered that our products are subject to a natural process of wear and ageing.

---