

DE-16-001950/00 pos. 1

Worm Gearmotor - catalogue A04

- Motor catalogue TX (Frequency 50 Hz)

**Application given data**

N.A.

**Designation:** MR IV 32 UO3A - 63A 4 ... B5 / 16,9 B3 i=82,9  
 Mounting position B3,  $n_1 = 1400$  [min<sup>-1</sup>], without motor (11 x 23 - 140)

Standard product : Yes

**Accessories and special designs**

**Reducer/Gearmotor specifications**

Transmission ratio i		2,59 x 32
Output speed $n_2$	[min <sup>-1</sup> ]	16,9
Input speed $n_1$	[min <sup>-1</sup> ]	1400
Input power $P_1$	[kW]	N.A.
Output torque $M_2$	[N m]	N.A.
Service factor $f_s$		N.A.
Efficiency		0,66
Mass of gear reducer (without motor)	[kg]	5
Provisional lubricant quantity	[ l ]	0,2
ISO viscosity grade	[cSt]	320

Top view with M.P. B3



**Nominal Data**

Nominal input power $P_{N1}$	[kW]	0,14
Nominal output power $P_{N2}$	[kW]	0,09
Nominal output torque $M_{N2}$	[N m]	49
Maximum output torque $M_{2max}$	[N m]	80

**Verifications**

Safety factor on $M_{2peak}$	N.A.
Thermal power verification	N.A.
External loads verification	N.A.

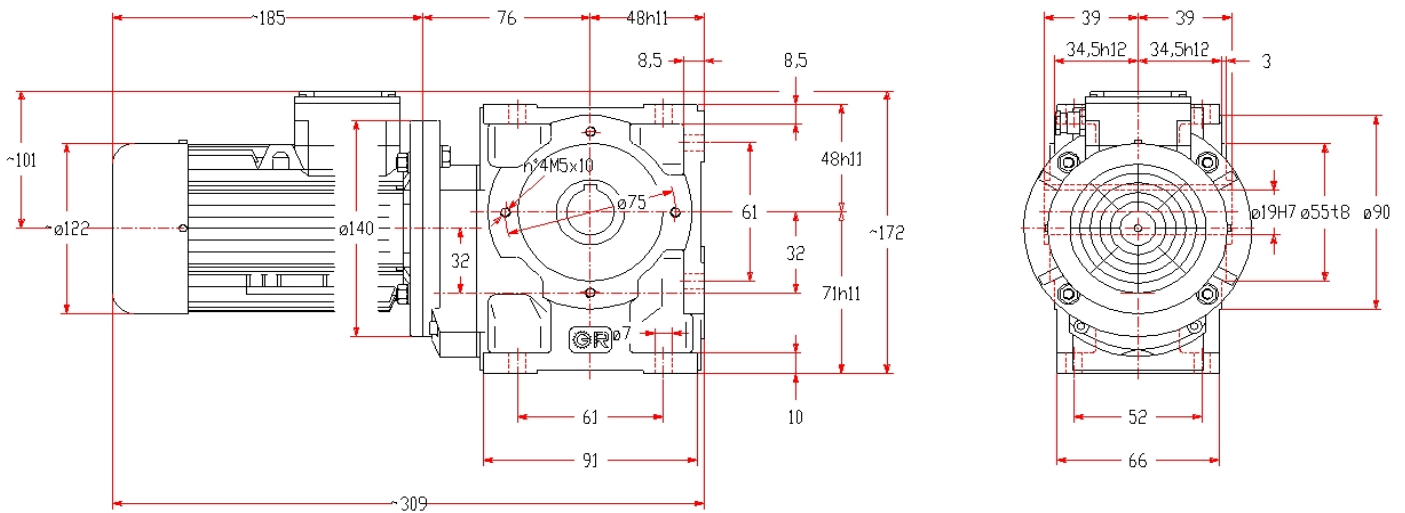
N.A.: Not Applied

*The results of calculations in this document have no validity in terms of warranty. Computing: a) are theoretical, b) are based on the assumptions for optimal working conditions specified on Rossi catalogues, c) they rely on the truthfulness of given input data for which the customer is the only responsible, d) any omitted data or not taken into account by the customer voids the entire report. All contents, and information in this document are sole property of Rossi S.p.A. It cannot be disclosed for purposes other than the scope for which it has been generated under the agreement between the Customer and an authorized Rossi representative. It cannot be reproduced (in whole or in part) without explicit written permission by Rossi S.p.A. legal representative, and in this case the intellectual property of the document remains solely of Rossi S.p.A.*

DE-16-001950/00 pos. 1

Worm Gearmotor - catalogue A04

Main Dimensions [mm] (only for standard gearbox, in case of non-standard design see the drawing on the next page)



- a) The effective dimensions of electric motor may not match with the ones stated, in case of accessories etc.: consult us in case of trouble regarding the overall dimensions;
- b) The position of motor terminal box shown in the dimensional drawing is the standard one and may not match with the really required position;
- c) In case of brake motor the dimensional drawing always shows the release lever which is supplied only on request;
- d) When offering a gearmotor without motor, motor dimensions stated in the drawing must be updated by the Customer according to the really applied motor;

### Informations and warnings:

Worm gear pair Z2/Z1 = 32/1; Axial module = 1,5; Helix angle = 6°;

Static efficiency = 0,45; Uncertain static reversibility; Dynamic reversibility, after running-in, with efficiency > 0,6.

Fastening nuts: M6 UNI 5588. With screw UNI 5737, see pag. 81 Cat. A04 rev.11-06/2

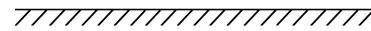
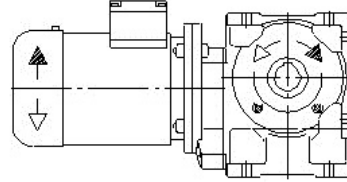
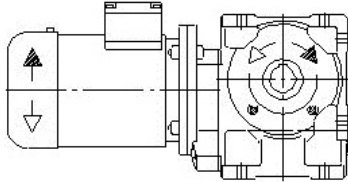
*The results of calculations in this document have no validity in terms of warranty. Computing: a) are theoretical, b) are based on the assumptions for optimal working conditions specified on Rossi catalogues, c) they rely on the truthfulness of given input data for which the customer is the only responsible, d) any omitted data or not taken into account by the customer voids the entire report. All contents, and information in this document are sole property of Rossi S.p.A. It cannot be disclosed for purposes other than the scope for which it has been generated under the agreement between the Customer and an authorized Rossi representative. It cannot be reproduced (in whole or in part) without explicit written permission by Rossi S.p.A. legal representative, and in this case the intellectual property of the document remains solely of Rossi S.p.A.*

DE-16-001950/00 pos. 1

Worm Gearmotor - catalogue A04

Design: UO3A

Mounting position: B3

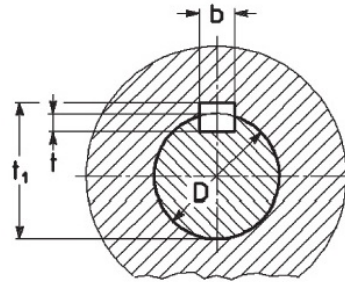


Plugs position

Standard hollow low speed shaft

Senza tappo di livello  
 Fornito completo di olio

Without oil level plug  
 Supplied filled with oil



D	b x h x l	b	t	t <sub>1</sub>
ø19 H7	6 x 6 x 50	6	3,5	21,7

- ▼ = filler plug (in view/not in view)
- = level plug (in view/not in view)
- = filler plug (in view/not in view)