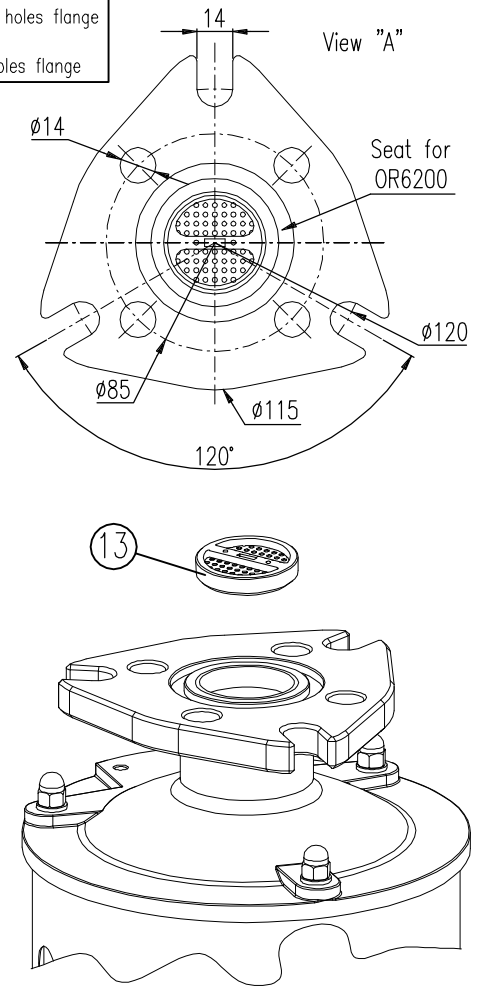


| Pos. | Description           |
|------|-----------------------|
| 1    | Top cap               |
| 2    | Domed nuts M6 DIN1587 |
| 3.7  | Gel container (Glass) |
| 3.9  | Gel container (PMMA)  |
| 4    | Bottom cap            |
| 5    | Mechanical valve      |
| 6    | Air intake            |
| 7    | Data plate            |

Double fixation:  
 - DN25/PN10 4 holes flange  
 or  
 - DIN42562 3 holes flange



| Type   | Transf. oil (Kg) | H (mm) | Gel container material | G.W. Empty (Kg) | Silicagel Q.ty | Vol.                 |
|--------|------------------|--------|------------------------|-----------------|----------------|----------------------|
| VCP 10 | 3500             | 240    | PMMA                   | 2.5             | 1 Kg           | 1.35 dm <sup>3</sup> |
|        |                  |        | Glass                  |                 |                |                      |
| VCP 30 | 10000            | 445    | PMMA                   | 5               | 3 Kg           | 4.05 dm <sup>3</sup> |
|        |                  |        | Glass                  |                 |                |                      |



Titolo  
**Traditional single Breathers**  
 new VCP 10 ÷ 30 series

Data **08/03/12**  
 Scala **1:3**  
 Dis.  
 Visto

Dis. Nr  
**3600**  
 1