

Precision Wirewound Potentiometer T18 – 500

Customer#: 10421



Mechanical Data

- 1.1 Housing..... : Reinforced glass fibre plastic
- 1.2 Shaft..... : Stainless steel $\phi 6^{h9}$
- 1.3 Bearing..... : Sliding bearing
- 1.4 Resistance element..... : Precision wire
- 1.5 Slider tap..... : Noble metal, single
- 1.6 Housing protection class..... : IP 60
- 1.7 Mounting element..... : Central fixing M9 x 0,75
- 1.8 Mechanical rotation angle..... : $320^\circ -2^\circ + 2^\circ$, Stops
- 1.9 Electrical rotation angle..... : $316^\circ -1^\circ + 2^\circ$
- 1.10 Adjustment speed..... : max. 60 rpm
- 1.11 Torque..... : till 1,0 Ncm
- 1.12 Life cycle..... : 1×10^6 slider path (360°)
- 1.13 End stop strength..... : 50 Ncm

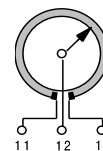
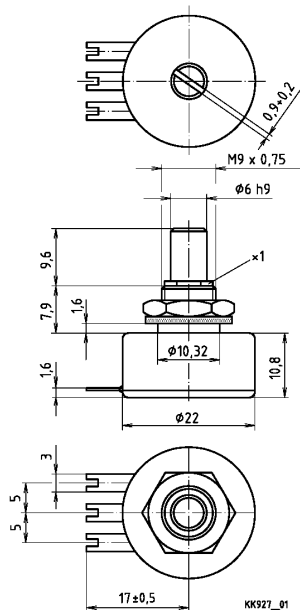


Electrical Data

- 2.1 Resistance values, standard... : acc. to table
- 2.2 Resistance value, max..... : 10 K-Ohm
- 2.3 Resistance tolerance..... : $\pm 5\%$
- 2.4 Residual resistance..... : 4Ω (till 10K Ω)
- 2.5 Linearity tolerance..... : $\pm 0,5\%$
- 2.6 Insulation resistance..... : 1000 M-Ohm
- 2.7 Test voltage..... : 500 V, 50 Hz
- 2.8 Operational voltage : max. 50 V
- 2.9 Total load..... : max. 1,5 Watt

Environmental Conditions

- 3.1 Temperature range..... : -40°C till $+125^\circ\text{C}$
- 3.2 Temperature coefficient..... : 50 ppm/ $^\circ\text{C}$
- 3.3 Vibration strength..... : 10 till 500 Hz / 1g



Anschlussplan Funktion rechtsdrehend		
Punkt	Funktion	Farbe
11	Wicklung	grün
12	Schleifer	weiß
13	Wicklung	braun

Article#	Article#	Total Resistance	Type - Description
ALTMANN	Customer#		
104234	K200-000-841	200 Ω	Precision Potentiometer T18 – 500 - 01
104235	K200-000-846	1000 Ω	Precision Potentiometer T18 – 500 - 02
104905	K200-000-837	100 Ω	Precision Potentiometer T18 – 500 - 03
104890	K200-000-838	130 Ω	Precision Potentiometer T18 – 500 - 04
104869 *2	K200-000-839	135 Ω	Precision Potentiometer T18 – 500 - 05
*2	K200-000-840	140 Ω	Precision Potentiometer T18 – 500 - 06
*2	K200-001-531	150 Ω	Precision Potentiometer T18 – 500 - 07
105346	K200-000-842	220 Ω	Precision Potentiometer T18 – 500 - 08
105632	K200-000-843	300 Ω	Precision Potentiometer T18 – 500 - 09
*2	K200-000-844	400 Ω	Precision Potentiometer T18 – 500 - 10
105899	K200-000-845	500 Ω	Precision Potentiometer T18 – 500 - 11
*2	K200-001-546	600 Ω	Precision Potentiometer T18 – 500 - 12
105538	K200-000-847	2000 Ω	Precision Potentiometer T18 – 500 - 13
105010	K200-000-848	5000 Ω	Precision Potentiometer T18 – 500 - 14
105587	K200-000-849	10.000 Ω	Precision Potentiometer T18 – 500 - 15

Remark for control:

*1 as from F07244 the spreader ring has been replaced by a snap ring.

*2 Articles will not be required any more by customer acc. to information from customer on 27.05.2010.

Design: The potentiometer is turning clockwise. The resistance value, measured at slider position at left-side stop (beginning), has to meet the value of max. 4,0 Ω . For the resistance value measured at slider position at right-side stop (end) there are no tolerances fixed.

Sheet #: KE089272.DOCX

Amendment/Print: 04.09.13 / 04.09.13

ALTMANN Potentiometer

Herringhauser Straße 29
32051 Herford

Postfach 11 42
32001 Herford

Telefon 05221/3404-0
Telefax: 05221/3404-29

www.potentiometer.de
eMail: info@potentiometer.de

Subject to technical
amendments. Form.#: 00000000