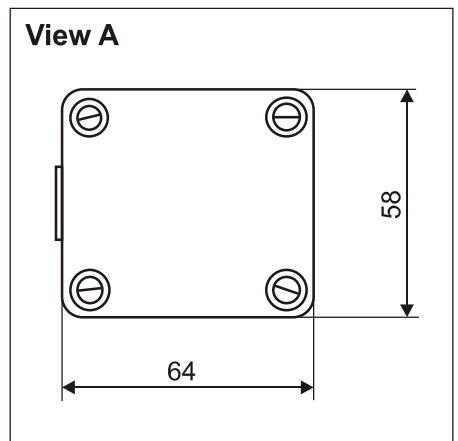
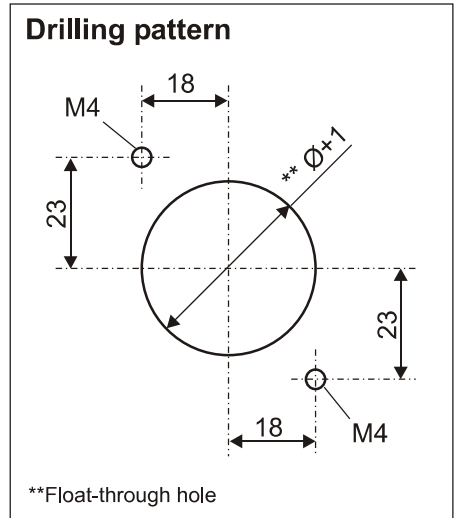
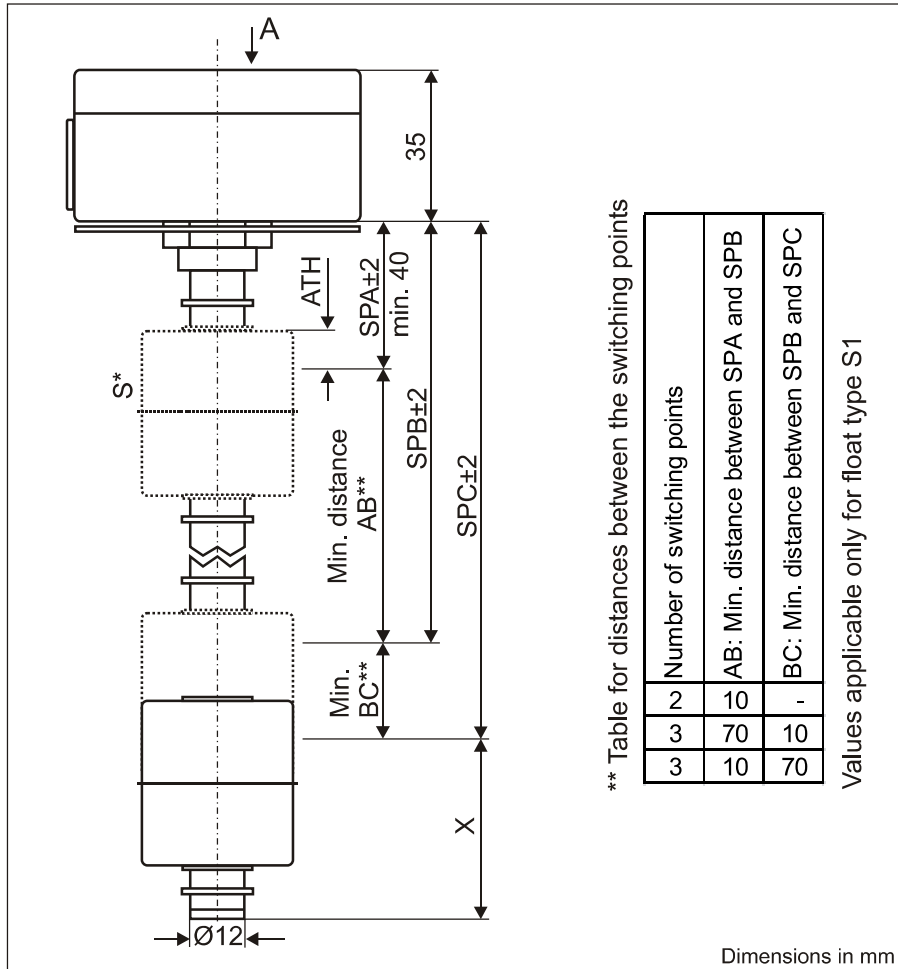


Data sheet

Float switch brass design 1 in combination with temperature switch

Type: SSM...1...T...



ATH	Height above medium surface e.g. float S1 = 8mm at density of 0,87g/cm ³
*S	For more than 2 switching points, additional floats
X	41±2 tube + float PP
X	51±2 tube + float stainless steel

Order key

Example for 2 switching points: **SS M. 2. A2. B3. 50. 500. 1. S1. T700**

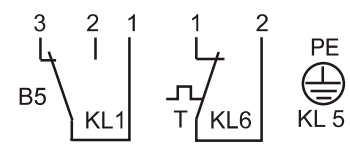
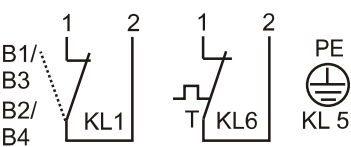
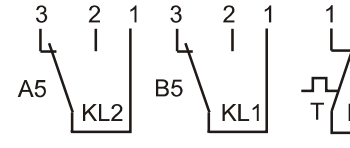
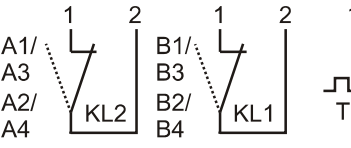
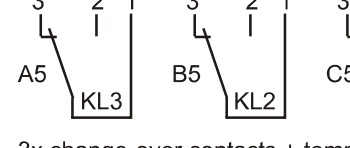
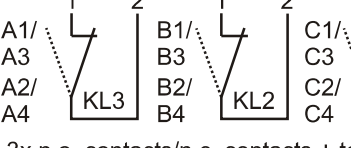
- Float switch SS
- Tube M - brass
- 2 - no. of contacts (max. 3)
- A - switching point A above
- B - switching point B (designation with 1 contact)
- C - switching point C
- Switching functions:
 - 1 - closes on level rise
 - 2 - opens on level rise
 - 3 - closes on level drop
 - 4 - opens on level drop
 - 5 - change-over contact
- 50 - switching point A e.g. SPA2 = 50mm
- 500 - switching point B e.g. SPB3 = 500mm
- 1 - design
- S1 - float type - see technical data
- T... O - temperature switch n.c.contact

Data sheet

Float switch brass design 1 in combination with temperature switch

Type: SSM...1...T...

Examples for terminal diagrams

 <p>1x change-over contact + temperature switch n.c. contact e.g. Order key: SSM.1.B5.80.1.S1.T500</p>	 <p>1x n.o. contact/n.c. contact + temperature switch n.c. contact e.g. Order key: SSM.1.B1.80.1.S1.T500</p>
 <p>2x change-over contacts + temperature switch n.c. contact e.g. Order key: SSM.2.A5.B5.50.85.1.S1.T500</p>	 <p>2x n.o. contacts/n.c. contacts + temperature switch n.c. contact e.g. Order key: SSM.2.A2.B3.60.90.1.S4.T500</p>
 <p>3x change-over contacts + temperature switch n.c. contact e.g. Order key: SSM.3.A5.B5.C5.110.370.850.1.S1.T500</p>	 <p>3x n.o. contacts/n.c. contacts + temperature switch n.c. contact e.g. Order key: SSM.3.A4.B2.C1.90.270.1020.1.S1.T500</p>

Technical data

Connection:	terminal connection 1.5mm ² in the housing, cable entry at the housing M16x1,5 housing material alu, colour grey
Mounting:	via housing floor - see drilling pattern
Seal:	material NBR
Tube:	Ø12mm, material brass
Float:	Ø35x40mm, material PP, type S1 Ø40x40mm, material PP, type S2 Ø40x30mm, material PP, type S9 Ø45x52mm, material stainless steel 1.4571, type S4
Level switching points:	reed contacts: max. 3x n.o. contacts/n.c. contacts or change-over contact, further reed contacts on demand
Temp. switching point (TP):	switching function: n.c. contact, standard-switching point (TP) 60°C to 80°C; other TP on demand precision ±5°C, smaller tolerances on request reset- temperature = TP - 30°C ±15°C
Switching capacity	
level:	max. 230VAC / 1A / 60VA
temperature:	max. 230VAC / 1A
Pressure:	max. 1 bar
Operating temperature:	-20°C to 80°C in medium, -20°C to 70°C above mounting
Protection rating:	IP 65