

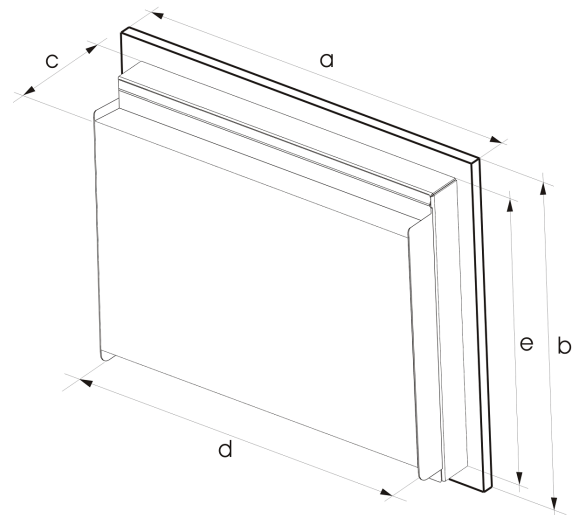
TECHNICAL DATA

DE 800	
Product Type	Compact embedded Panel PC
General characteristics	
Processor	Intel® Atom™ Processor N270 1.6GHz with 533MHz FSB 512K L2 Cache -- FANLESS
Chipset	Intel® 945GSE + Intel® ICH7M
Memory	1GB DDR2 SDRAM SO-DIMM
Operating systems	Microsoft Windows CE 5.0
Power Supply	90 - 260 VAC fanless
	24 VDC fanless optional ¹
Power consumption	25 W with 15" LED Monitor
Guarantee	24 Months ²
Drives	
Mass Memory	SLC Flash Memory 1GB (2GB optional)
Additional Drives	Optional: CF Card Reader inclusive CFC
Interfaces	
LAN/Ethernet	onboard
USB	7 x USB2.0 (4 x ext., 3 x int)
Serial Interface	1 x RS232 (1 x external)
Parallel Interface	1 x LPT1 (EPP/ECP/SPP) on request
Keyboard/Mouse	2 x PS/2
Multimedia	Mic in, Line in/out
Watchdog Functions	
CPU Temperature	Surveillance onboard
Ambient Conditions	
Vibration resistance	15G
Shock resistance	50G
EMC	EN 55011, 55022, 500081
Temperature	+5°C to +45°C max.
Relative humidity	5% to 80% at 25°C (no humidity/condense)
Authorization	CE
Mechanical Characteristics	
PC Unit	Powder coated, EMC proofed

¹ 19" version only for 230V, required power + 30W
² warranty ex works, normally 24 months, fixed at order.
 All data refer on print date, errors and changes excepted.



Front Unit			
Display diagonal size	12"	15"	19"
	30,5 cm	38,1 cm	48,3 cm
Resolution	800x600	1024x768	1280x1024
Luminosity [cd/m ²]	400	430	300
Contrast Ratio	500:1	450:1	800:1
MTBF backlight [h]	50.000		
Input	Resistive Touchscreen, 6-wire technology		
Touchcontroller	USB controller		
Front	Alloy anodised, chemical resistant polyester foil		
Rating	IP65 according EN 60529		
Dimensions [mm]			
a:	400	472	
b:	310	383	
c:	90	95	
d:	370	440	
e:	290	363	
Weight	ca. 9 kg	ca. 11kg	



HIGHLIGHTS

- High reliability
- Low mounting depth
- Low power requirements
- Intel ATOM processors
- Embedded system
- Extreme high stability of operating system
- Fanless, passive air conduction
- Motionless, no moving parts



DE 800 CONFIGURATION

MONITOR	
30,5 cm 12" TFT Display, 800x600 Pixel	
38,1 cm 15" TFT Display, 1024x768 Pixel	
48,3 cm 19" TFT Display, 1280x1024 Pixel	
PROCESSOR	
Intel® Atom™ Processor N270 1.6GHz	
MEMORY	
1 GB	
STORAGE	
SLC Flash Memory 1 GB	
SLC Flash Memory 2 GB	
DRIVES	
No drives	
CFC-Adapter	
POWER	
110/230 VAC, auto-switch, fanless	
24VDC fanless	
FRONT	
DIVUS foil	
neutral, 1 colors	
customized ¹	
OPERATING SYSTEM	
Microsoft Windows CE 5.0	

1	2	3	4	5	6	7	8
1							
2							
4							
	2						
		4					
			4				
			5				
				0			
				1			
				2			
					0		
					1		
					2		
							R
	2	4					R

YOUR ORDER CODE: DE 800

NOTES:
¹ Frontfoil: min. delivery 25 pcs

OPTIONAL

V₂A Stainless steel front available on 15" and 19" panels

