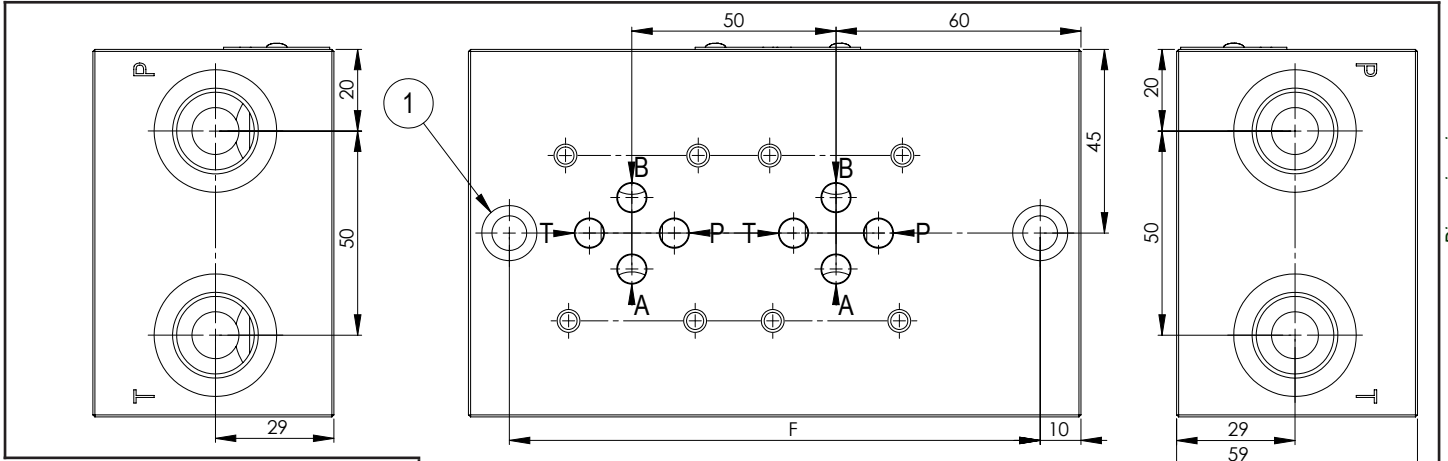


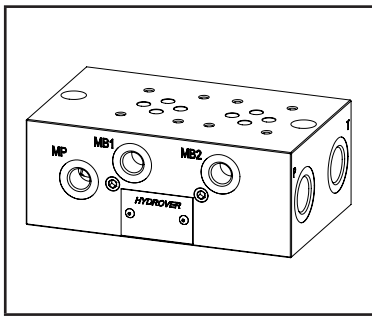
Cetop 3 subplate from 2 to 8 stations / crossing P-T ports 1/2" G
back A-B ports 3/8" G / side MA-MB ports 1/4" G

H3613

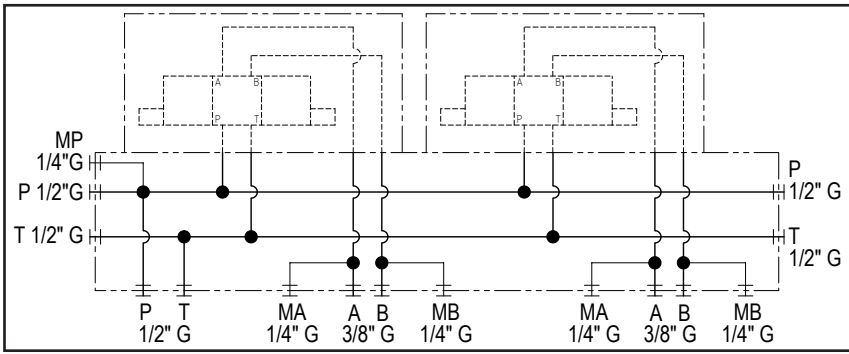
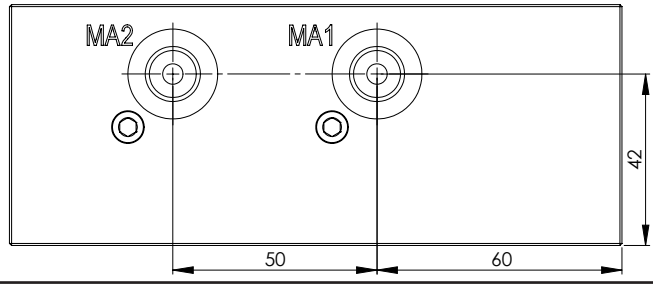
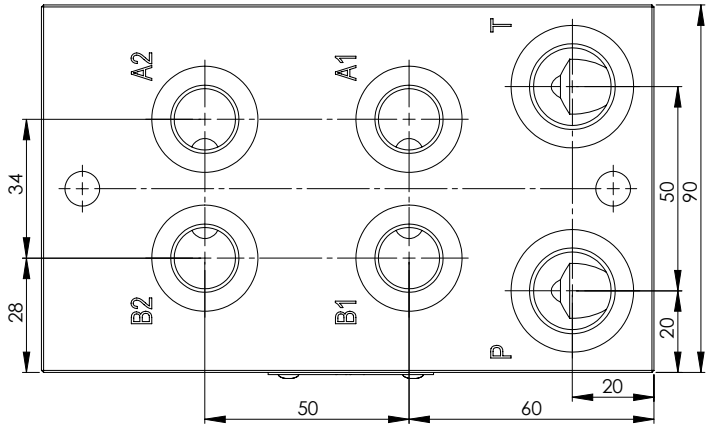
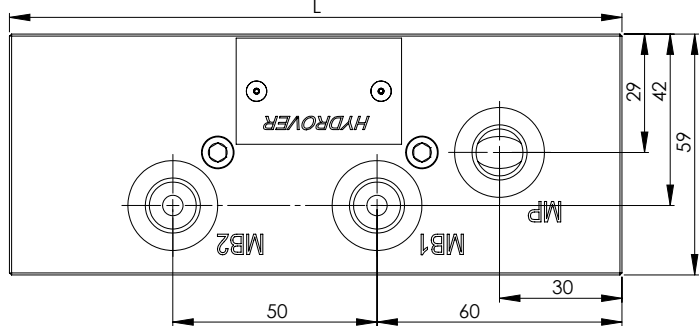


Dimensions in mm

Technical data	
Max. pressure	250 bar
Manifold material	Aluminum
MP / MA / MB ports	1/4" G
A / B ports	3/8" G
P / T ports	1/2" G



N°	Description	Q.ty
1	Ø 8,5 through hole for mounting with counterbore	2



Stat.	2	3	4	5	6	7	8
F	130	180	230	280	330	380	430
L	150	200	250	300	350	400	450
W. Kg	2	2,7	3,4	4,1	4,8	5,5	6,2

Ordering code

H	3	6	1	3	A	_	_
---	---	---	---	---	---	---	---

Hydrover product

Product series

36 series - Cetop 3 subplates

Product ID

Manifold material

Aluminum

Number of Cetop 3 stations

2P =	2 stations
3P =	3 stations
4P =	4 stations
5P =	5 stations
6P =	6 stations
7P =	7 stations
8P =	8 stations