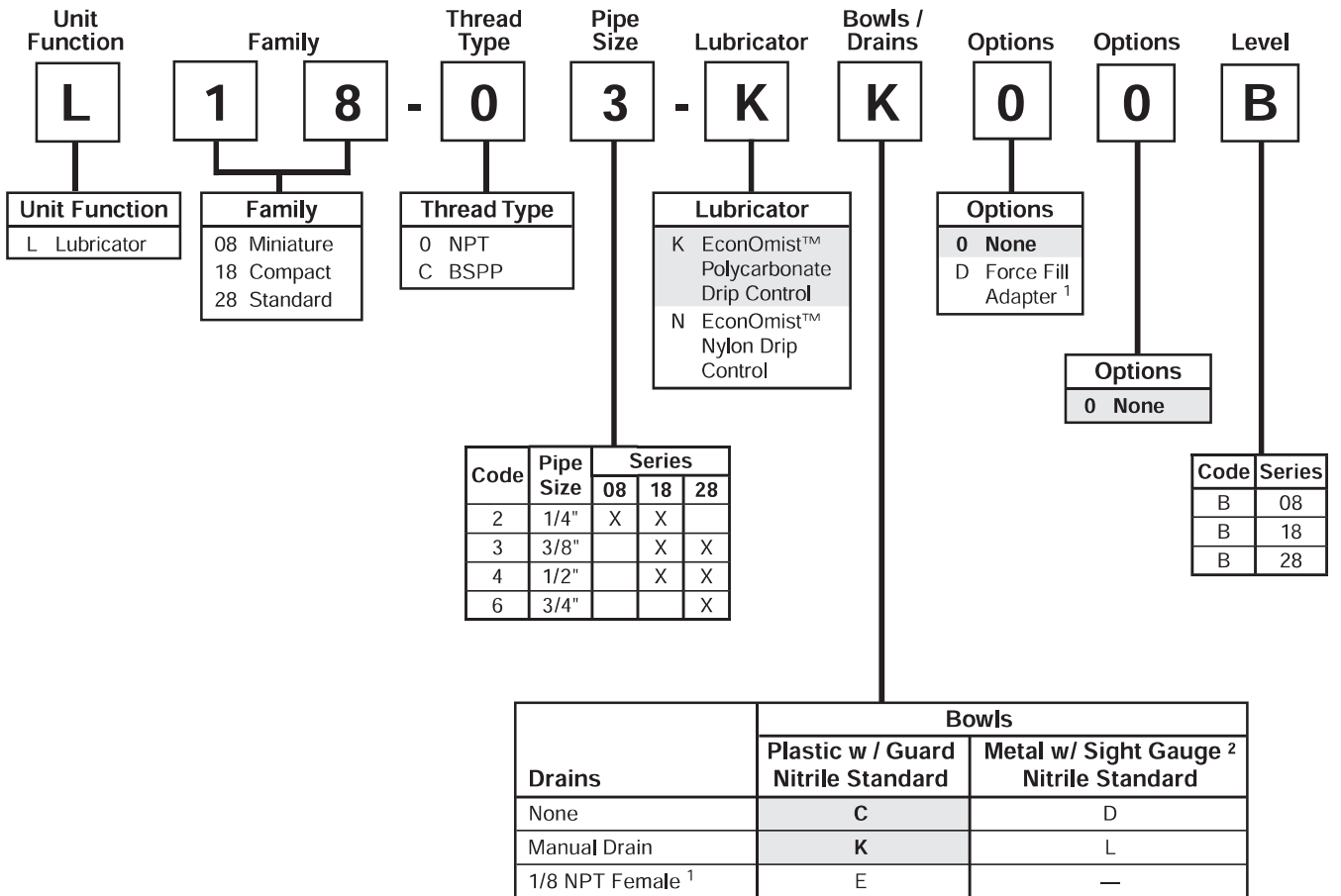


Lubricator Numbering System

 = "Most Popular"

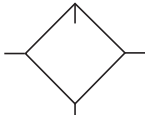


¹ Not available on L08
² No sight gauge on L08

Note: When selecting from the options columns, please enter letters in alphabetical order for positions 7, 8, and 9.
 For example:

L 18 - 0 3 - K K 0 0 B

Lubricator L28 EconOmist™



Features

- Integral Sight Dome and Adjustment Knob
- 3/4" NPT / BSPP-G Over-port
- Can be Filled while Under Pressure
- Quick-disconnect Bowl / Bowl Guard
- High Flow Capacities

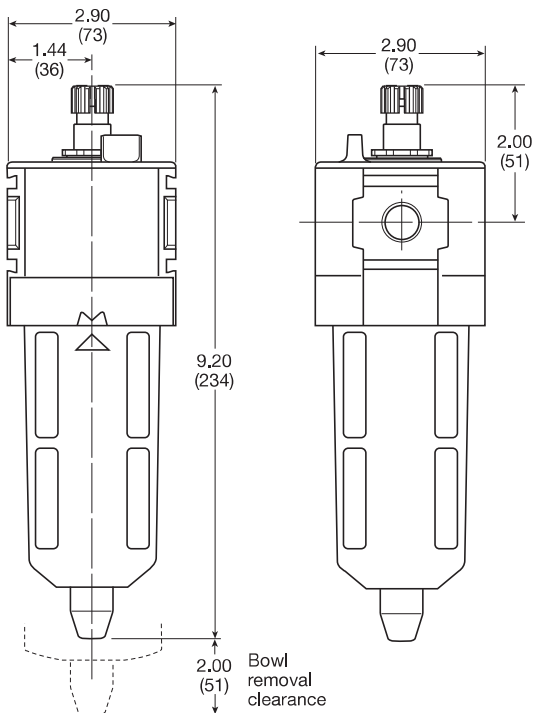
Specifications

Flow Capacity*	3/8	110 SCFM (52 dm ³ /s, ANR)
	1/2	110 SCFM (52 dm ³ /s, ANR)
	3/4	150 SCFM (71 dm ³ /s, ANR)
Initial Drip Flow	1.26 SCFM	
Maximum Supply Pressure	Plastic Bowl	150 PSIG (10.3 bar)
	Metal Bowl	250 PSIG (17.2 bar)
Minimum Flow for Lubrication	1.3 SCFM@ 100 PSIG	
Operating Temperature	Plastic Bowl	14° to 125°F (-10° to 52°C)
	Metal Bowl	14° to 150°F (-10° to 65.5°C)
Port Size	NPT / BSPP-G 3/8, 1/2, 3/4	
Bowl Capacity	6 oz	
Weight	1.04 lb. (0.47 kg)	

* Inlet pressure 91.3 PSIG (6.3 bar). Pressure drop 4.9 PSID (0.34 bar).

Materials of Construction

Body	Aluminum	
Body Cap	ABS	
Bowls	Plastic Bowl	Polycarbonate
	Metal Bowl	Aluminum
Pick-up Filter	Sintered Bronze	
Seals	Plastic Bowl	Nitrile
	Metal Bowl	Nitrile
Sight Dome	Polycarbonate	
Sight Gauge	Metal Bowl	Polyamide (Nylon)
Suggested Lubricant	Airline Oil F442001	



Inches (mm)

= "Most Popular"

Replacement Bowl Kits

- Metal Bowl with Sight Gauge, Manual Drain..... GRP-96-644
- Plastic Bowl / Bowl Guard, Manual Drain..... LRP-96-702

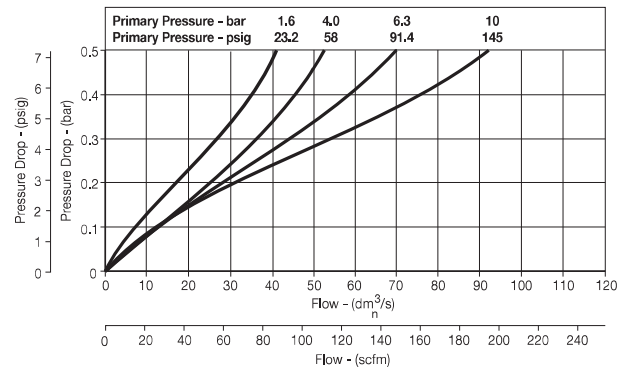
Replacement Kits

- Bowl O-ring, Nitrile..... GRP-96-654
- Bowl O-ring, Fluorocarbon..... GRP-96-755
- Bypass Assembly..... LRP-96-678
- Fill Plug Kit..... LRP-96-679
- Sight Dome Assembly –
 - Polycarbonate, L28-XX-**KK00** LRP-96-310
 - Nylon..... LRP-96-312
- Siphon Tube Assembly LRP-96-681

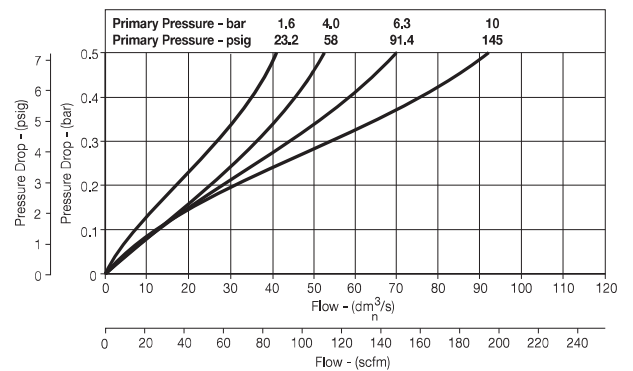
Accessories

- Force Fill Adapter..... LRP-96-704
- Sight Gauge Kit..... GRP-96-825
- Wall Mounting Bracket –
 - L-Type GPA-96-605
 - T-Type GPA-96-602

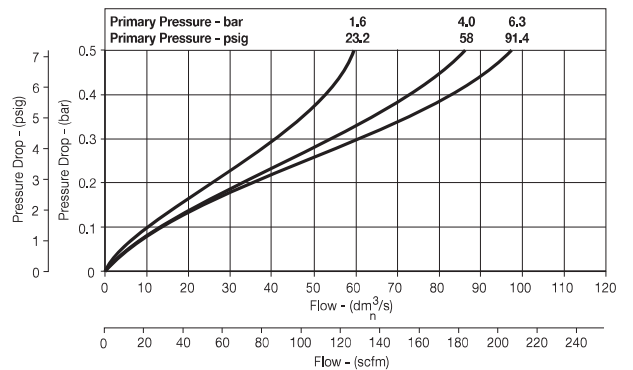
L28 3/8" Lubricator



L28 1/2" Lubricator



L28 3/4" Lubricator



Ordering Information

Model Type	Port Size	Plastic Bowl / Bowl Guard	Metal Bowl / Sight Gauge
No Drain	3/8	L28-03-KC00B	L28-03-KD00B
	1/2	L28-04-KC00B	L28-04-KD00B
	3/4	L28-06-KC00B	L28-06-KD00B
Manual Drain	3/8	L28-03-KK00B	L28-03-KL00B
	1/2	L28-04-KK00B	L28-04-KL00B
	3/4	L28-06-KK00B	L28-06-KL00B

Options - To order an option supplied with the unit model, add the appropriate coded suffix letter in the designated position of the model number.