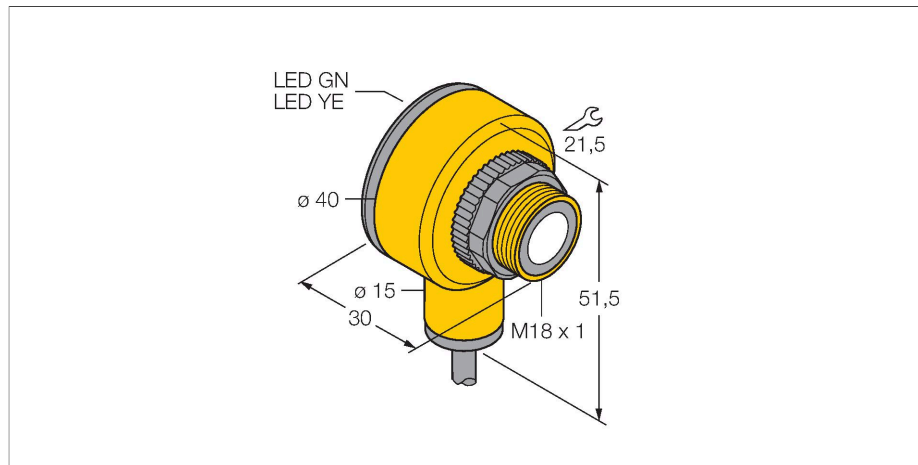


T18VP6UR

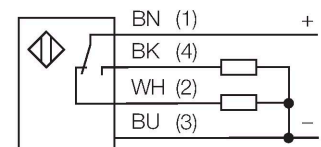
Ultrasonic sensor – receiver



Features

- Operating voltage: 10...30 VDC
- Switching output PNP, NO

Wiring diagram



Technical data

Type	T18VP6UR
ID	3038510
Ultrasonic data	
Function	Opposed mode sensor
Range	300...600 mm
Ultrasound frequency	230 kHz
Electrical data	
Response time typical	< 1 ms
Readiness delay	≤ 100 ms
Output function	Complementary contact, PNP
Mechanical data	
Design	Rectangular with thread, T18U
Radiation direction	straight
Housing material	Plastic, PBT
Transducer material	Plastic, Epoxyd resin and PU foam
Electrical connection	Cable, PVC
Ambient temperature	-40...+70 °C
Protection class	IP67
Tests/approvals	
Approvals	CE

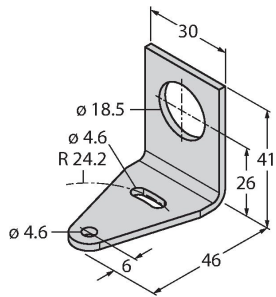
Functional principle

Ultrasonic sensors detect a multitude of objects contactless and wear-free with ultrasonic waves. Regardless of whether the object is transparent or opaque, metallic or non-metallic, liquid, solid or powdery. Even environmental conditions such as spray, dust or rain hardly affect their function.

Accessories

SMB18A

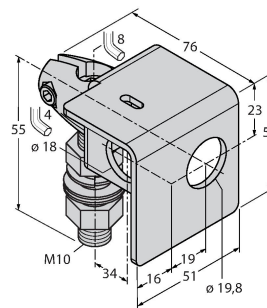
3033200



Mounting bracket, rectangular, stainless steel, for sensors with 18 mm thread

SMB18AFAM10

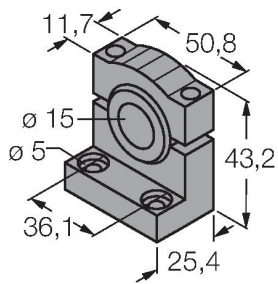
3012558



Mounting bracket, material VA 1.4401, for M10 x 1.5 thread, thread length 18 mm

SMB1815SF

3053279



Mounting bracket, PBT black, for PICO-GUARD points