

Magnetic drive rotary vane pumps TM series



The magnetic drive rotary vane pumps combine the established range of pumps with the added advantage of an indirect magnetic coupling:

- longer service life
- no mechanical seals
- totally sealed body
- low maintenance
- less power consumption
- smooth transmission
- self priming

The principle of the magnetic drive comprises an inner magnet embodied in the pump and

connected to the rotor, and an outer magnet connected to the motor shaft.

The principle of the magnetic drive comprises an inner magnet embodied in the pump and connected to the rotor, and an outer magnet connected to the motor shaft.

The pole-to-pole alignment of the two magnets provides the driving motion to the pump.

Decoupling occurs when the pump load exceeds the coupling torque between the magnets.

The introduction of a new driving magnet with improved torque (available upon request) brings the maximum operating pressure to the same values of the PO series with direct coupling.

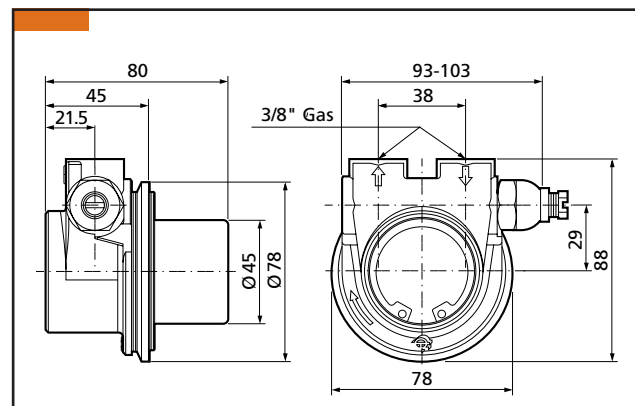
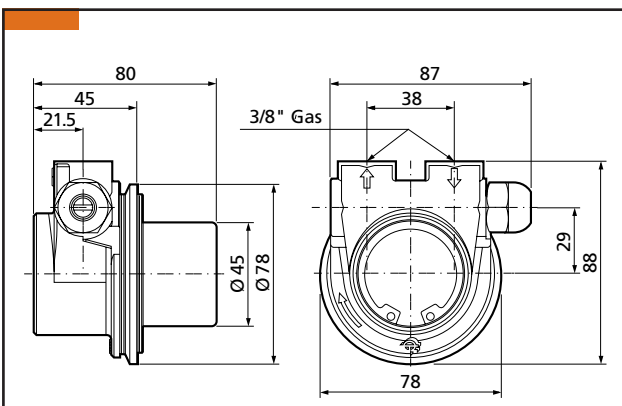
The ROTOFLOW TM Series magnetic drive rotary vane pumps are housed in stainless steel AISI 303 or brass bodies, with carbon graphite internal components.

- 3/8" GAS or NPT threaded ports
- Standard or balanced relief valve
- NBR, EPDM or Viton seals



NSF listed pumps available for potable water. Add suffix "A" after the last character.

- Max size solid particles: 20 μ
- Max system pressure: 18 Bar (260 psi)
- Max temperature: 70 °C (140 °F)



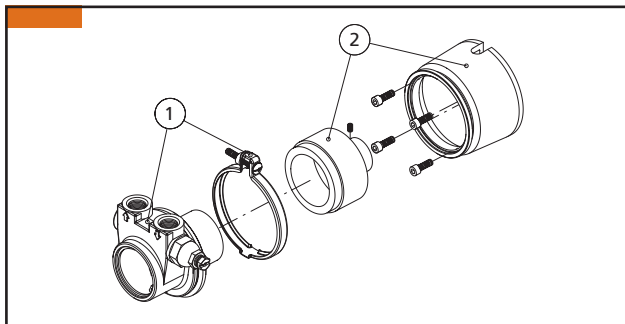
Magnetic drive rotary vane pumps TM series



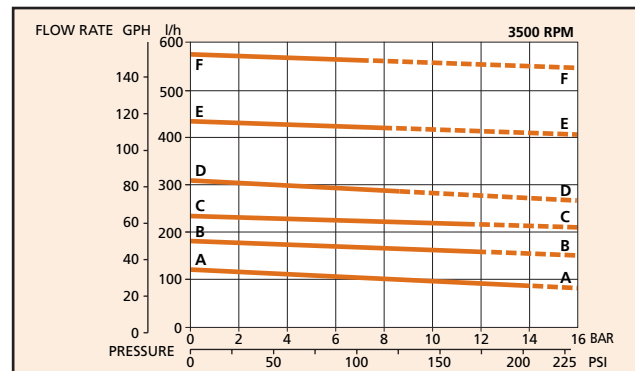
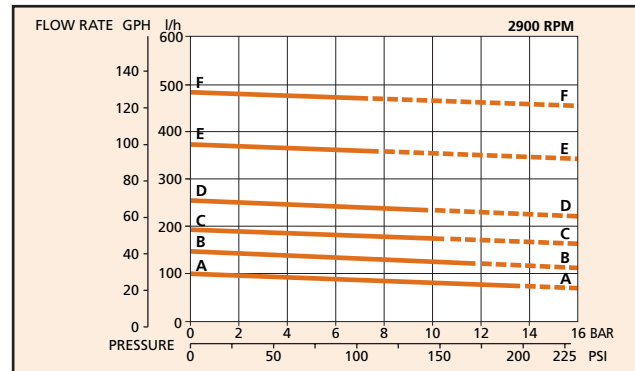
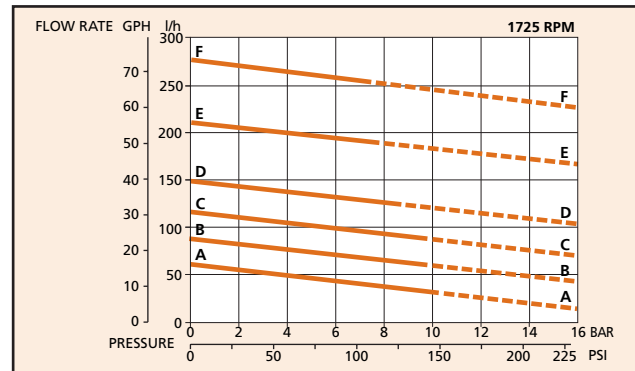
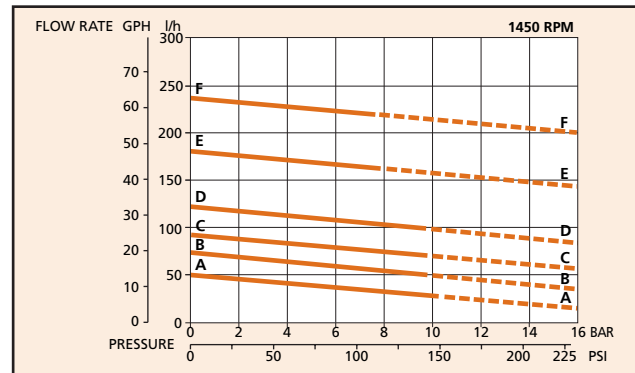
Model	By-Pass	Housing	Figure
TMSS030	NO	STAINLESS STEEL	A-A
TMSS050			B-B
TMSS070			C-C
TMSS100			D-D
TMSS150			E-E
TMSS200			F-F
TMSS031			A-A
TMSS051			B-B
TMSS071			C-C
TMSS101			D-D
TMSS151	E-E		
TMSS201	F-F		
TMOT030	NO	BRASS	A-A
TMOT050			B-B
TMOT070			C-C
TMOT100			D-D
TMOT150			E-E
TMOT200			F-F
TMOT031			A-A
TMOT051			B-B
TMOT071			C-C
TMOT101			D-D
TMOT151	E-E		
TMOT201	F-F		
TMOT034	BALANCED	BRASS	A-A
TMOT054			B-B
TMOT074			C-C
TMOT104			D-D
TMOT154	E-E		
TMOT204	F-F		

Pos.	Description	Assembly	Code	Driving magnet only	Code
1	TM series pump	-	-	-	-
2	Standard assembly (M56-B14)	TMB1	3350030	TMA 09 (9 mm bore)	3350000
	High torque assembly (M56-B14)	TMB51C	3350530	TMAS 09C (9 mm bore)	3350440
	Standard assembly (M63-B14)	TMB2	3350040	TMA 11 (11 mm bore)	3350010
	High torque assembly (M63-B14)	TMB52C	3350540	TMAS 11C (11 mm bore)	3350500
	Standard assembly (NEMA 56C)	TMB3	3350050	TMA 5/8" (5/8" bore)	3350020

Note: The "C" series driving magnets provide a slot in the internal bore to accept the driving key of motors M56 and M63 frame.



Note: Characteristics with water at 20 °C and without by-pass - Use filter before pump inlet not larger than 20 microns - Pump weight: 1,1 kg
 For applications involving other fluids, high temperatures, unusual processing conditions or speed higher than 2500 rpm consult the factory or an authorized distributor



— curves with driving magnets TMA 09, TMA 11 and TMA 5/8"
 - - - curves with driving magnets TMAS 09C and TMAS 11C