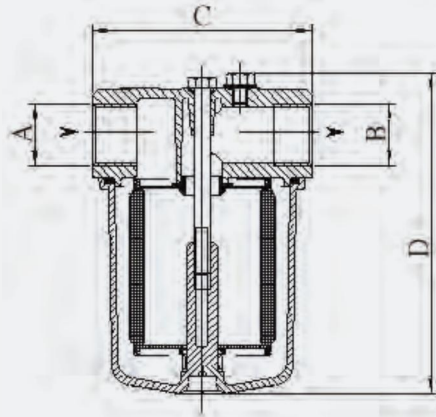


OVERALL DIMENSIONS

70310A - 70310P

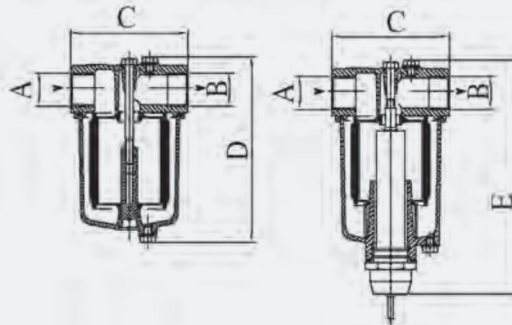


Note:
measurement "D" in the table is divided
for versions with aluminium bowl (Al.)
and versions with transparent bowl (Pl.).

Item	Dimensions						Filtration rating	Filtration area cm ²		
	A	B	C	D	D	E		P	G	L
	A - B: UNHISO 7/1 threads C - D - E: dimensions in mm									
				Al.	Pl.		Microns **			
70311 *	Rp 3/8"	Rp 3/8"	81	117	140	-	15 *** 60 - 100 - 300	750	185	-
70312 *	Rp 1/2"	Rp 1/2"	81	117	140	-				
70313 *	Rp 1/4"	Rp 1/4"	81	117	140	-				

* These models are available with transparent bowl
** Standard filtration rating (other ratings available to order)
P - ***: paper filter
G: pleated steel cartridge

70100 - 70150



Item	Dimensions						Filtration rating	Filtration area cm ²		
	A	B	C	D	D	E		P	G	L
	A - B: UNHISO 7/1 threads C - D - E: dimensions in mm									
				Al.	Pl.		Microns **			
70101	Rp 1"	Rp 1"	120	175	N/A	-	60 100 - 300	-	330	-
70104	Rp 3/4"	Rp 3/4"	120	175	N/A	-				
70107	Rp 1/2"	Rp 1/2"	120	175	N/A	-				
70151 NL/GL	Rp 1"	Rp 1"	120	-	N/A	235				
70154 NL/GL	Rp 3/4"	Rp 3/4"	120	-	N/A	235				
70157 NL/GL	Rp 1/2"	Rp 1/2"	120	-	N/A	235				
70151 M	Rp 1"	Rp 1"	120	-	N/A	205				
70154 M	Rp 3/4"	Rp 3/4"	120	-	N/A	205				
70157 M	Rp 1/2"	Rp 1/2"	120	-	N/A	205				

** Standard filtration rating (other ratings available to order)
P - ***: paper filter
G: pleated steel cartridge