

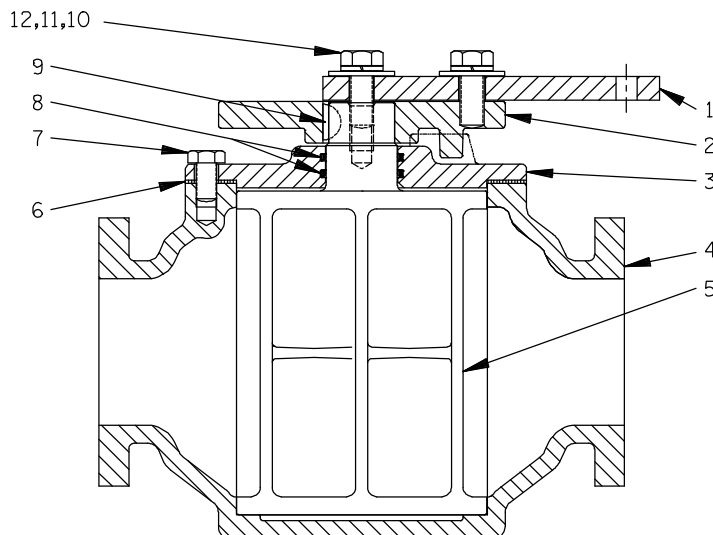
FUELING-DEFUELING (FDF) VALVE



Model 8441A

Size 6" x 3"

ITEM	DESCRIPTION	MATERIAL
1	HANDLE	Aluminum Alloy 356-T6
2	ADAPTER PLATE	Aluminum Alloy 356-T6
3	VALVE CAP:	Aluminum Alloy 356-T6
4	HOUSING:	Aluminum Alloy 356-T6
5	VALVE PLUG	Aluminum Alloy 356-T6
6	VALVE GASKET	Cork ^W /Nitrile Binder NC710
7	HEX HEAD CAPSCREW	Carbon Steel
8	O-RING	Buna-N
9	WOODRUFF KEY	Carbon Steel
10	HEX HEAD CAPSCREW	Standard Plated Steel
11	LOCKWASHER	Standard Plated Steel
12	FLAT WASHER	Standard Plated Steel



WARNING!
FDF valves are designed for flow directing only. DO NOT use as a positive sealing valve.

Friction Losses:
Less than 0.3 psi (2,0 kPa) Friction Loss for Fueling at 600 GPM (2271 lpm) and Defueling at 150 GPM (568 lpm) Burst Pressure in Excess of 400 PSI.



GORMAN-RUPP PUMPS

www.grpumps.com

Specifications Subject to Change Without Notice

Printed in U.S.A.

Specification Data

SECTION 110, PAGE 5140

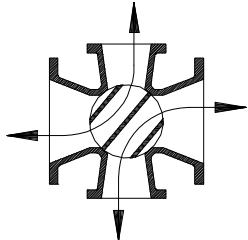
APPROXIMATE
DIMENSIONS and WEIGHTS

NET WEIGHT:
SHIPPING WEIGHT:
DOMESTIC CARTON:

35 LBS. (15,8 KG.)
37 LBS. (16,8 KG.)
1.78 CU. FT. (0,05 CU. M.)

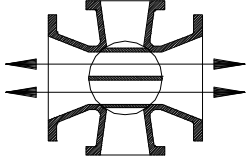
FLOW DIAGRAM

DEFUEL



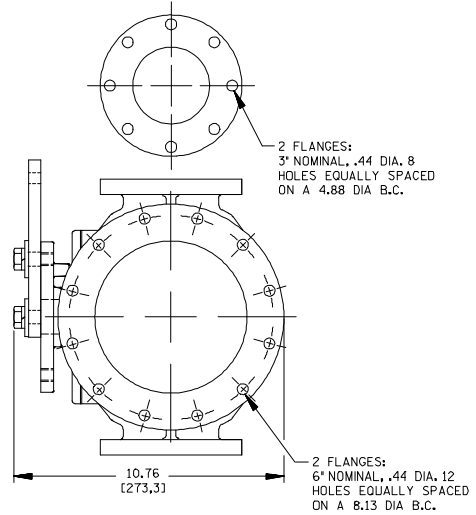
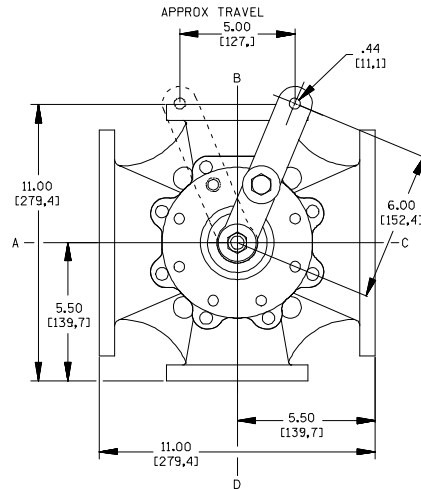
HANDLE POSITION (DOTTED)

FUEL

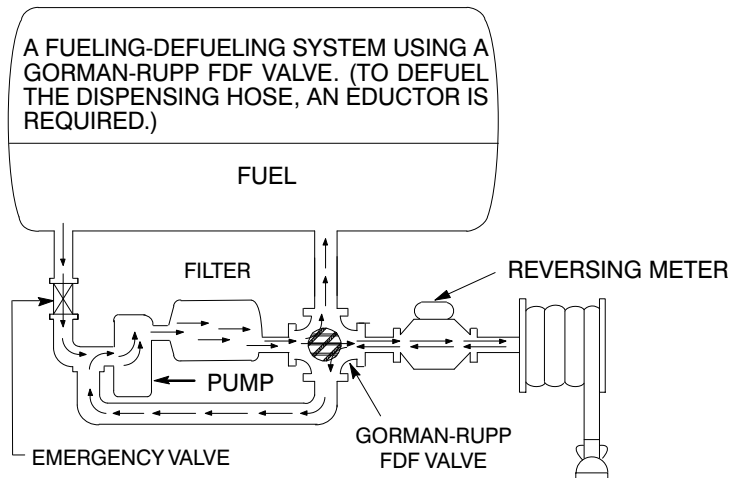


HANDLE POSITION (SOLID)

DIMENSIONS:
INCHES
[MILLIMETERS]

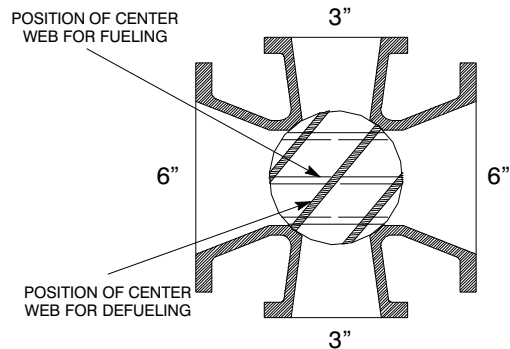


SYSTEM SCHEMATIC USING PUMP FOR DEFUELING AND FUELING.



NOTE:
EMERGENCY VALVE OPEN FOR FUELING.
EMERGENCY VALVE CLOSED FOR DEFUELING.

HOW THE GORMAN-RUPP 6 x 3 FDF VALVE WORKS



The design of the valve webbing and body allows one flow path for fueling through the 6 inch (152 mm) ports when the center web of the valve is aligned with those ports.

A 1/8 turn of the handle from the fueling position to the defueling position moves the valve webbing, blocking flow through the 6 inch (152 mm) ports and opening two 6 inch x 3 inch (152 mm x 76 mm) 90° paths of flow.



GORMAN-RUPP PUMPS

www.grpumps.com

Specifications Subject to Change Without Notice

Printed in U.S.A.