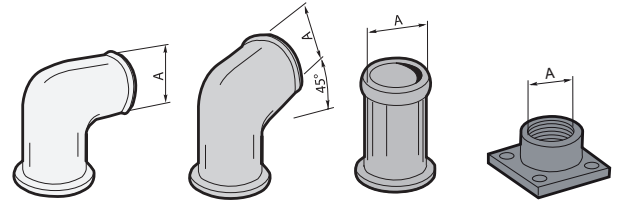
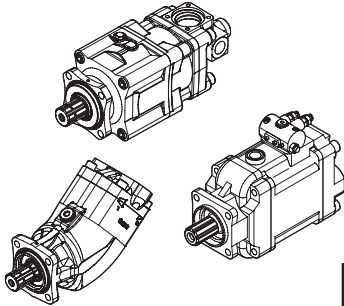




Suction Connections Sauganschlüsse Suganslutningar



| | A | | max. l/min | | | | |
|--|----|----------|---------------|-------|-------|-------|-------|
| | mm | inch | | | | | |
| SAP 012-064 SCP 012-064 SAPT 090 | 32 | 1 1/4" | 50 | — | — | 18245 | — |
| | 38 | 1 1/2" | 65 | 18400 | 20100 | 18048 | — |
| | 42 | 1 5/8" | 85 | — | 20136 | — | — |
| | 45 | 1 3/4" | 110 | — | 20423 | — | — |
| | 50 | 2" | 120 | 18401 | 20101 | 18047 | — |
| | 64 | 2 1/2" | 165 | — | 20139 | — | — |
| | | G 1" | 50 | — | — | — | 50403 |
| SAP 084-108 SCP 084-108 SAPT 130 SCPD 56/26, 76/76 SLPD 20/20-64/32 SVH 062-130 | 38 | 1 1/2" | 65 | 18402 | — | 18049 | — |
| | 42 | 1 5/8" | 85 | — | 20137 | — | — |
| | 45 | 1 3/4" | 110 | — | 20424 | — | — |
| | 50 | 2" | 120 | 18403 | 20102 | 17890 | — |
| | 64 | 2 1/2" | 165 | 18394 | 20103 | 18603 | — |
| | 75 | 3" | 260 | — | 20274 | 18366 | — |
| | | G 1 1/4" | 80 | — | — | — | 50404 |

Given flows valid for mineral oil (10-1500 cSt) and maximum of 2 meter long suction line.

Die angegebenen Volumenströme beziehen sich auf Mineralöle (10-1500 cSt) und einer max. 2 Meter langen Saugleitung.

Angivna flöden gäller för mineralolja (10-1500 cSt) och max 2 meter lång sugledning.