

REVISIONS	
REV No.	DATE
1	30/04/2015
	ISSUED
	BY
	~ ~

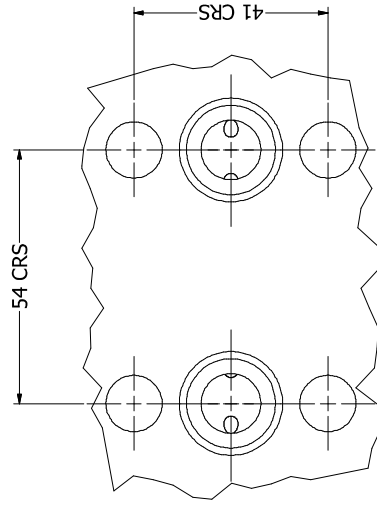


IMPORTANT - THIS DOCUMENT MAY CONTAIN CONTROLLED INFORMATION AND COULD THEREFORE REQUIRE EXPORT PERMISSIONS FROM RELEVANT AUTHORITIES IN YOUR COUNTRY

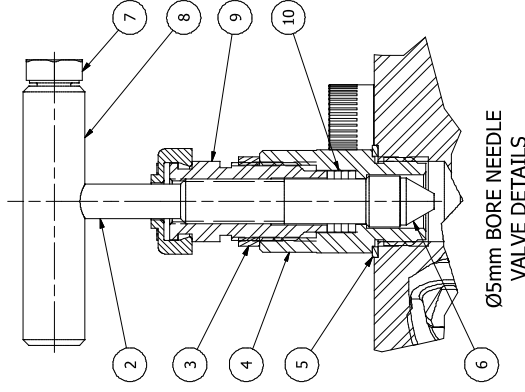
PRESSURE RATINGS ARE COLD WORKING, NON-SHOCK AND SUBJECT TO TEMPERATURE LIMITATIONS, UNLESS OTHERWISE STATED. PLEASE SEE SPECIFIC PRODUCT DATA

DIMENSIONS AND DESIGNS ARE SUBJECT TO CHANGE WITHOUT PRIOR NOTICE

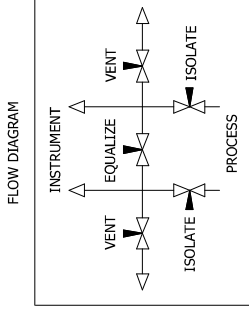
TYPICAL VALVE LAYOUT



DIRECT MOUNT INSTRUMENT CONNECTION
DETAIL A-A

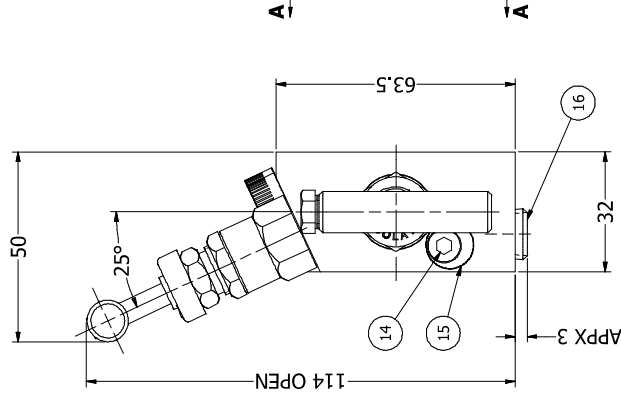
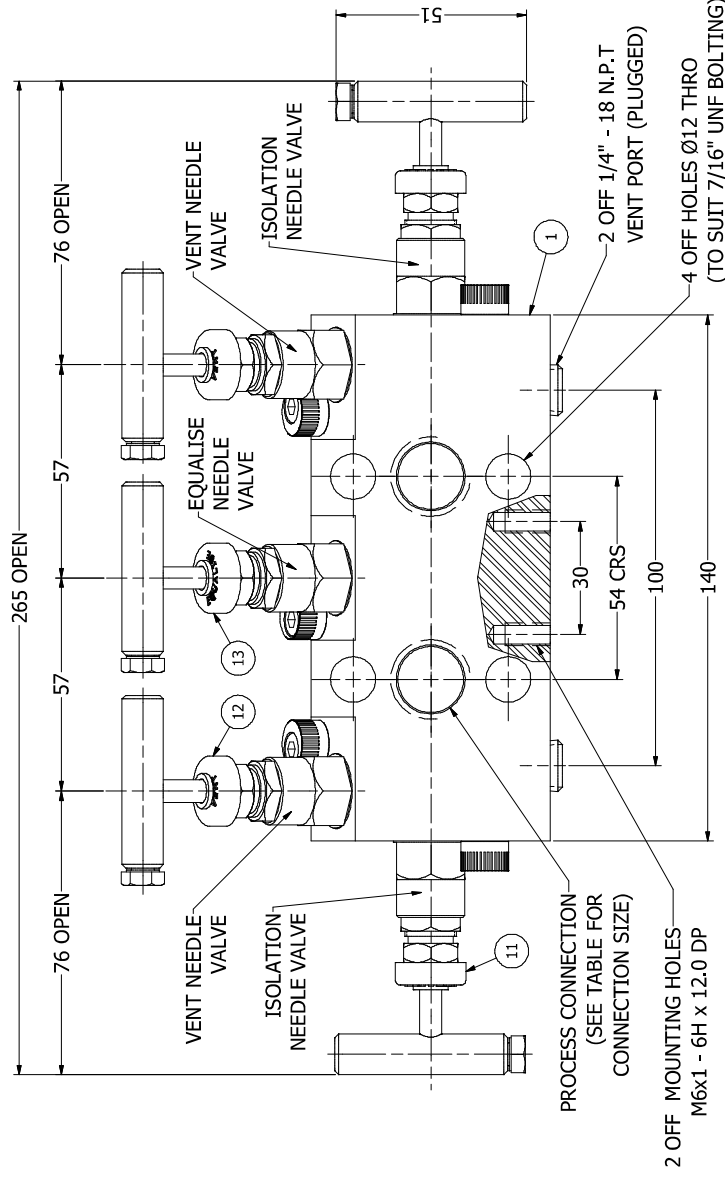


Ø5mm BORE NEEDLE
VALVE DETAILS



ITEM	DESCRIPTION	MATERIAL	QTY
1	VALVE BODY	A479 UNS S31600	1
2	NEEDLE STEM	A479 UNS S31600	5
3	GLAND LOCKNUT	UNS S31600	5
4	BONNET HOUSING	A479 UNS S31600	5
5	BONNET SEAL	UNS S31600	5
6	VALVE TIP	A564 UNS S17400	5
7	HANDLE BOLT	A4 ST/ST	5
8	"T" HANDLE	UNS S31600	5
9	GLAND ADJUSTER	UNS S31600	5
10	PACKING	RTFE	20
11	ISOLATE DUST CAP	PVC	2
12	VENT DUST CAP	PVC	2
13	EQUALISE DUST CAP	PVC	1
14	CAM SCREW	A4 ST/ST	5
15	LOCKING CAM	UNS S31600	5
16	BLANK PLUG	A479 UNS S31600	2

PART NO	CONNECTION SIZE	BORE	WEIGHT
5VBD4NS-TM-O	1/2" NPT	3	2.4 Kg



TITLE:

1/2" NPT FEMALE PROCESS X DIRECT MOUNT INSTRUMENT
5VBD' SERIES NEEDLE MANIFOLD IN 316 ST/ST MATERIAL
OIL TYPE CONFIGURATION. "T" BAR HANDLES: RATED 6,000psi.

SCALE: N.T.S.

DATE: 30/04/2015

DRAWING NUMBER
5VBD#NS-TM-O TABULATED

DRWN C.L. CHKD

REVISION No. 1

I.M. APRD

A.P.M