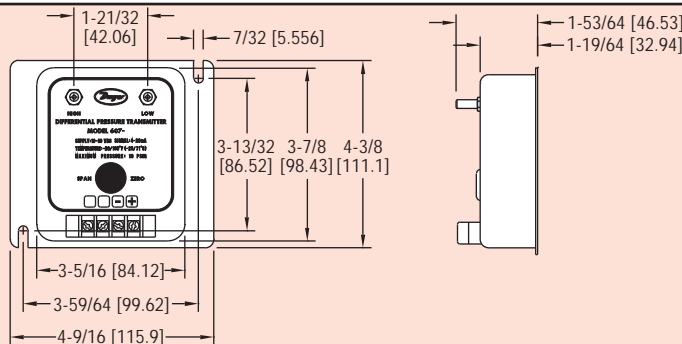




Series  
607

# Low Range Differential Pressure Transmitter

±0.25% or ± 0.5% F.S. Accuracy, Ranges from 0-0.1" w.c.



**Series 607 Differential Pressure Transmitter** combines very low ranges with exceptional stability, reliability and either ±0.25% or ±0.5% accuracy for the most demanding applications. Ranges from 0-0.1 to 0-25" w.c. Ultra thin glass clad silicon diaphragm design resists shock and vibration, practically eliminates drift. Certification to NIST standards is included with each unit. Tough stainless steel housing is NEMA-2 rated to protect against moisture and dirt. Use with air and other compatible gases.

## SPECIFICATIONS

**Service:** Air and nonconductive, noncorrosive gases.

**Wetted Materials:** Contact factory.

**Accuracy:** ±0.5% or ±0.25% F.S.

**Stability:** ±0.5% F.S.O./yr.

**Temperature Limits:** -20 to 160°F

(-29 to 71°C), 10 to 95% RH.

**Pressure Limits:** 10 psig (0.69 bar).

**Compensated Temp. Range:** 35 to 135°F (2 to 57°C).

**Thermal Effects:** ±0.015% FS/°F (zero and span).

**Power Requirements:** 12-36 VDC.

**Output Signal:** 4 to 20 mA DC, 2-wire.

**Zero & Span Adjustments:** Externally accessible potentiometers, non-interactive, ±10% F.S. adjustment.

**Response Time:** 250 msec max.

**Loop Resistance:** 0 to 1045 ohms

$V_{min} = 12V + [(0.22A)(R_L)]$ .

**Current Consumption:** 3.6 mA (min).

**Electrical Connection:** Screw terminals.

**Process Connection:** Barbed stainless steel for 3/16" I.D. tubing.

**Housing:** 300 Series SS (NEMA 2).

**Weight:** 1.04 lb (472 g).

**Agency Approvals:** CE.

Model	Range (in w.c.)	Price	Model	Range (in w.c.)	Price
607-0	0-.10	\$700.00 <sup>(B)</sup>	607-71*	0-5.0	\$450.00 <sup>(B)</sup>
607-01*	0-.10	800.00 <sup>(B)</sup>	607-8	0-10	475.00 <sup>(B)</sup>
607-1	0-.25	565.00 <sup>(B)</sup>	607-0B	.10-0-.10	520.00 <sup>(B)</sup>
607-11*	0-.25	750.00 <sup>(B)</sup>	607-1B	.25-0-.25	475.00 <sup>(B)</sup>
607-2	0-.50	520.00 <sup>(B)</sup>	607-2B	.50-0-.50	450.00 <sup>(B)</sup>
607-21*	0-.50	450.00 <sup>(B)</sup>	607-9	0-25	475.00 <sup>(B)</sup>
607-3	0-1.0	475.00 <sup>(B)</sup>	607-3B	1.0-0-1.0	450.00 <sup>(B)</sup>
607-4	0-2.0	475.00 <sup>(B)</sup>	607-4B	2.0-0-2.0	450.00 <sup>(B)</sup>
607-7	0-5.0	475.00 <sup>(B)</sup>	607-7B	5.0-0-5.0	450.00 <sup>(B)</sup>

\* Models have a ±0.25% F.S. accuracy.

<sup>(B)</sup> Items are subject to Schedule B discounts.