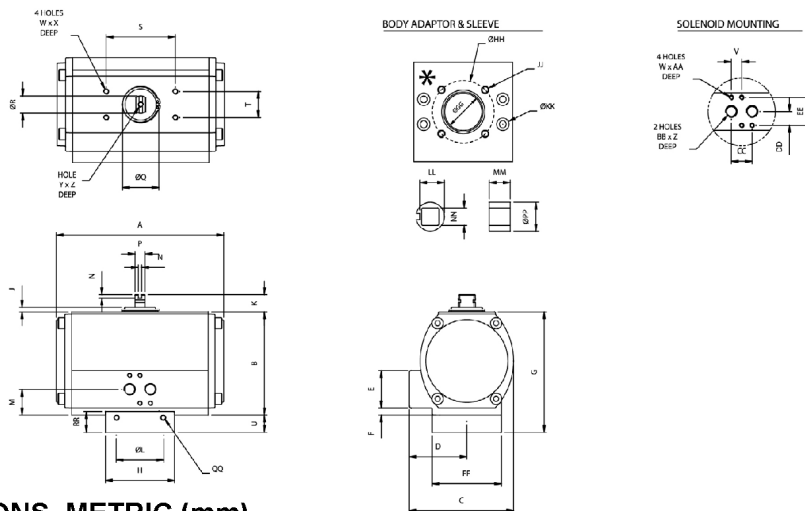




## TruTorq Pneumatic Actuator Type E, Metric Size 8, 12, 20, 35, 55, 70, 100 and 150

- Double acting (DA) and Spring Return (SR)
- Double End Stop Adjustment, open and closed position
- Body Adaptor Kit with Square (Double D or Key) Insert



**DIMENSIONS, METRIC (mm)**

Actuator size	ISO	A	B	C	D	E	F	G	H	J	K	ØL	M	N	P	ØQ	ØR	S	T	U	V
TT 8	F05/F07	162.0	109.0	105.0	57.0	42.0	7.5	127.0	80.0	5.0	20.0	35.0	27.0	4.0	11.5	35.0	20.0	80.0	30.0	18.0	12.0
	F07	162.0	109.0	105.0	57.0	42.0	7.5	127.0	80.0	5.0	20.0	35.0	27.0	4.0	11.5	35.0	20.0	80.0	30.0	18.0	12.0
TT 12	F05/F07	194.0	118.5	121.0	67.0	43.0	8.0	138.5	80.0	5.5	20.0	35.0	29.5	4.0	11.5	49.0	20.0	80.0	30.0	20.0	12.0
	F07	194.0	118.5	121.0	67.0	43.0	8.0	138.5	80.0	5.5	20.0	35.0	29.5	4.0	11.5	49.0	20.0	80.0	30.0	20.0	12.0
TT 20	F07	218.0	140.5	138.5	72.0	43.0	8.0	184.5	90.0	6.5	20.0	55.0	29.5	4.0	19.0	50.0	32.0	80.0	30.0	24.0	12.0
TT 35	F07/F10	263.0	163.5	156.0	78.0	43.0	8.5	198.7	120.0	7.0	30.0	55.0	30.0	4.0	19.0	61.0	32.0	80.0	30.0	30.2	12.0
	F10	263.0	163.5	156.0	78.0	43.0	8.5	198.7	120.0	7.0	30.0	55.0	30.0	4.0	19.0	61.0	32.0	80.0	30.0	30.2	12.0
TT 55	F10/F12	312.0	207.5	191.0	95.5	43.0	20.5	242.5	140.0	7.5	30.0	85.0	42.0	4.0	25.4	61.0	40.0	130.0	30.0	35.0	12.0
	F12/F10	312.0	207.5	191.0	95.5	43.0	20.5	242.5	140.0	7.5	30.0	85.0	42.0	4.0	25.4	61.0	40.0	130.0	30.0	35.0	12.0
TT 70	F10/F12	340.0	211.0	191.0	95.5	43.0	20.5	247.0	140.0	7.0	30.0	85.0	42.0	4.0	25.4	72.0	40.0	130.0	30.0	36.0	12.0
	F12/F10	340.0	211.0	191.0	95.5	43.0	20.5	247.0	140.0	7.0	30.0	85.0	42.0	4.0	25.4	72.0	40.0	130.0	30.0	36.0	12.0
TT 100	F14	361.0	253.3	227.0	113.5	43.0	39.5	303.0	190.0	7.0	30.0	100.1	61.0	4.0	25.4	76.0	40.0	130.0	30.0	49.8	12.0
TT 150	F14	390.0	302.0	280.0	140.0	43.0	55.5	351.0	190.0	7.0	30.0	100.1	78.0	4.0	25.4	78.0	40.0	130.0	30.0	49.0	12.0

Actuator size	ISO	W	X	Y	Z	AA	BB	CC	DD	EE	FF	ØGG	ØHH	JJ	ØKK	LL	MM	NN	ØPP	QQ	RR
TT 8	F05/F07	M5	5.0	M8	12.0	8.0	G1/8"	24.0	18.0	32.0	79.0	30.0	50.0	M6	5.5	20.0	17.0	14.0	23.0	M5	22.0
TT 8	F07	M5	5.0	M8	12.0	8.0	G1/8"	24.0	18.0	32.0	79.0	47.0	70.0	M8	5.5	29.5	17.0	17.0	33.0	M8	24.0
TT 12	F05/F07	M5	5.0	M8	12.0	8.0	G1/4"	24.0	16.0	32.0	79.0	30.0	50.0	M6	5.5	20.0	17.0	14.0	23.0	M5	22.0
TT 12	F07	M5	5.0	M8	12.0	8.0	G1/4"	24.0	16.0	32.0	79.0	47.0	70.0	M8	5.5	29.5	17.0	17.0	33.0	M8	24.0
TT 20	F07	M5	5.0	M8	12.0	8.0	G1/4"	24.0	16.0	32.0	89.9	46.0	70.0	M8	6.8	29.5	20.0	17.0	33.0	M8	28.0
TT 35	F07/F10	M5	5.0	M8	12.0	8.0	G1/4"	24.0	16.0	32.0	119.9	48.0	70.0	M8	9.0	29.5	20.0	17.0	33.0	M10	34.0
TT 35	F10	M5	5.0	M8	12.0	8.0	G1/4"	24.0	16.0	32.0	119.9	61.0	102.0	M10	9.0	38.0	25.0	22.0	44.0	M10	34.0
TT 55	F10/F12	M5	5.0	M8	12.0	8.0	G1/4"	24.0	16.0	32.0	139.9	61.0	102.0	M10	11.0	50.0	25.0	22.0	55.0	M10	40.0
TT 55	F12/F10	M5	5.0	M8	12.0	8.0	G1/4"	24.0	16.0	32.0	139.9	75.0	125.0	M12	11.0	50.0	25.0	27.0	55.0	M10	40.0
TT 70	F10/F12	M5	5.0	M8	12.0	8.0	G1/4"	24.0	16.0	32.0	139.9	61.0	102.0	M10	11.0	50.0	25.0	22.0	55.0	M10	40.0
TT 70	F12/F10	M5	5.0	M8	12.0	8.0	G1/4"	24.0	16.0	32.0	139.9	75.0	125.0	M12	11.0	50.0	25.0	27.0	55.0	M10	40.0
TT 100	F14	M5	5.0	M8	12.0	8.0	G1/4"	24.0	16.0	32.0	159.9	88.0	140.0	M16	14.0	62.5	35.0	38.0	88.0	M14	57.0
TT 150	F14	M5	5.0	M8	12.0	8.0	G1/4"	24.0	16.0	32.0	159.9	88.0	140.0	M16	14.0	62.5	35.0	38.0	88.0	M14	57.0

WireMatic TruTorq AB  
Krossgatan 22 B  
SE-162 50 Vällingby  
Sweden

Phone: +46 (0)8 38 00 75  
Fax: +46 (0)8 38 78 20  
Web: www.wirematic.se

WireMatic TruTorq AB, UK Sales Office  
Unit 28, Quay West Business Centre  
Quay Lane, Gosport  
Hampshire. Po12 4LJ, United Kingdom

Phone: +44 (0) 239 260 42 97  
Fax: +44 (0) 239 260 18 83



**TruTorq Pneumatic Actuator Type E, Metric  
Size 8, 12, 20, 35, 55, 70, 100 and 150**

**TORQUE**

Actuator Size	Air Supply	DA Torque	SR Torque (Nm)				
	BAR	Nm	Air - Start	Air - End	Spring - Start	Spring - End	Spring Qty
TT 8	6	90	58	32	57	31	4+4
TT 12	6	122	79	44	78	43	4+4
TT 20	6	202	130	71	130	132	4+4
TT 35	6	374	241	133	241	132	4+4
TT 55	6	597	385	212	384	211	4+4
TT 70	6	824	533	294	531	292	4+4
TT 100	6	1122	725	399	723	398	4+4
TT 150	6	1655	1069	589	1096	586	4+4

**OPERATING DETAILS**

Actuator Size	Operating time (sec)				Air consumption (litre)		Overall weight (kg)	
	DA Open	DA Close	SR Open	SR Close	Open	Close	DA	SR
TT 8	<1	<1	<1	<1	0,34	0,41	3,1	3,4
TT 12	1,5	1,5	1,5	1,0	0,49	0,64	4,5	5,2
TT 20	2,0	2,0	2,0	1,5	0,90	1,00	6,3	7,0
TT 35	2,5	2,5	2,5	2,0	1,99	1,90	10,5	12,0
TT 55	3,5	3,5	3,5	3,0	2,80	3,40	18,2	20,6
TT 70	4,0	4,0	4,0	3,0	3,05	3,70	22,4	26,5
TT 100	4,5	4,5	5,5	3,0	5,52	5,90	31,2	35,6
TT 150	5,0	5,0	7,0	4,0	7,80	9,60	44,4	52,6

WireMatic TruTorq AB  
Krossgatan 22 B  
SE-162 50 Vällingby  
Sweden

Phone: +46 (0)8 38 00 75  
Fax: +46 (0)8 38 78 20  
Web: www.wirematic.se

WireMatic TruTorq AB, UK Sales Office  
Unit 28, Quay West Business Centre  
Quay Lane, Gosport  
Hampshire. Po12 4LJ, United Kingdom

Phone: +44 (0) 239 260 42 97  
Fax: +44 (0) 239 260 18 83