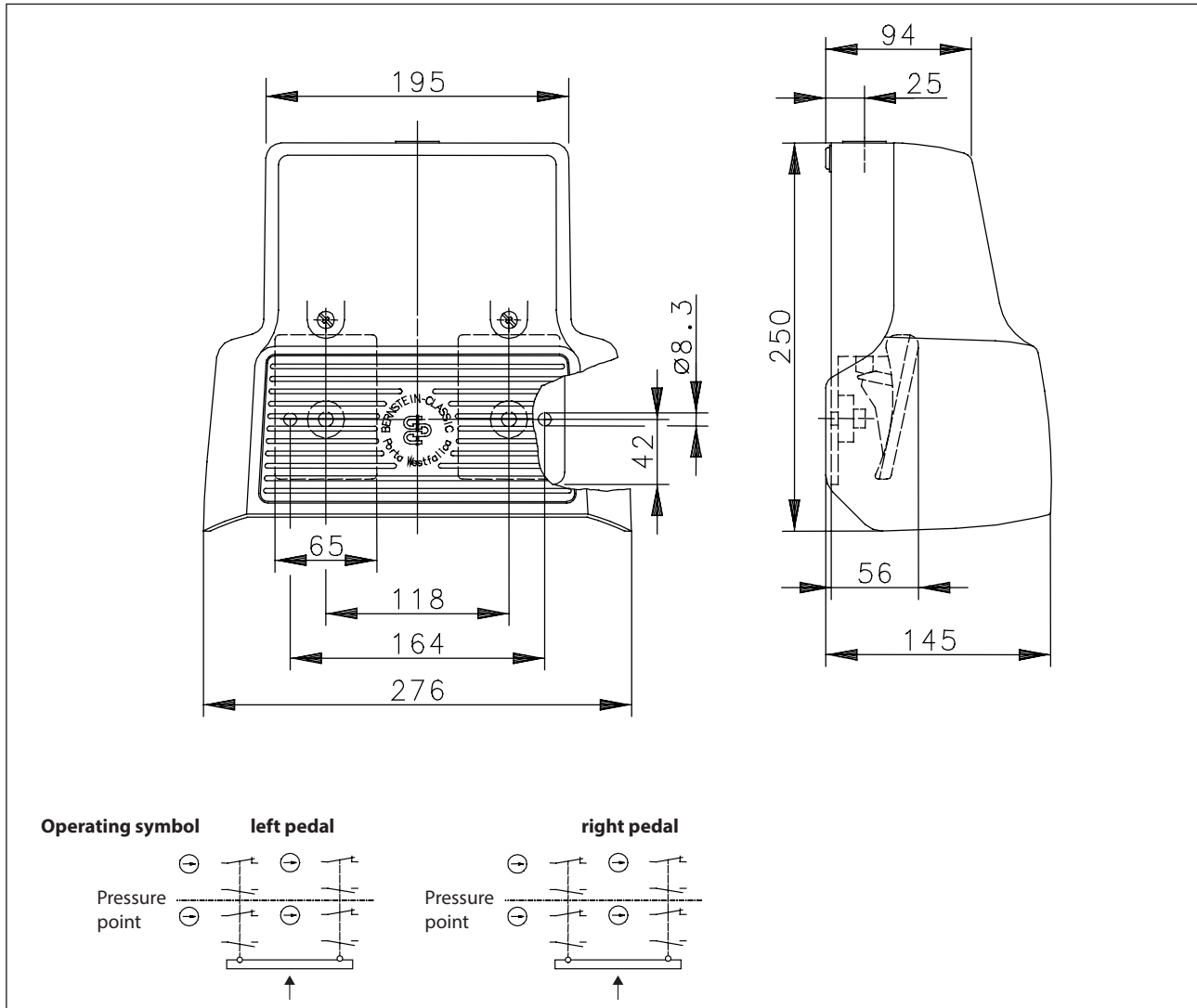


Foot-switch Series F2

Description **F2-SU4ZD/SU4ZD UN**

Article number **6162000503**



| Electrical Data | | |
|---------------------------------|-----------|-----------------------------------|
| Rated insulation voltage | U_i | 400 V AC |
| Conv. thermal current | I_{the} | 10 A |
| Rated operational voltage | U_e | 240 V |
| Utilization category | | AC-15, U_e / I_e 240 V / 3 A |
| Direct opening action | \ominus | acc. to IEC/EN 60947-5-1, annex K |
| Short-circuit protective device | | Fuse 2 A gG |
| Protection class | | I |

| Mechanical data | |
|--------------------------|---|
| Enclosure | AL, die-cast |
| Protective guard (UN) | AL, die-cast |
| Actuator | Foot lever (PA) |
| Ambient air temperature | -30 °C ... +80 °C |
| Contact type | 8 NC, 8 NO (Zb) |
| Operating force | ≈ 10 N (pedal centre) |
| Mechanical life | 10 x 10 ⁶ operating cycles |
| Switching frequency | max. 50 / min |
| Assembly | 2 x M8 |
| Connection | screw terminals (M3,5) |
| Number of connections | 12 (per pedal) |
| Protection ground | 2 x M4 |
| Conductor cross-sections | Solid: 0,5 ... 1,5 mm ² or Litz wire with ferrules: 0,5 ... 1,5 mm ² |
| Cable entrance | 1 x M25 x1,5 |
| Weight | ≈ 2,8 kg |
| Protection type | IP65 acc. to IEC/EN 60529 |

| Standards |
|--|
| VDE 0660 T100, DIN EN 60947-1, IEC 60947-1 |
| VDE 0660 T200, DIN EN 60947-5-1, IEC 60947-5-1 |

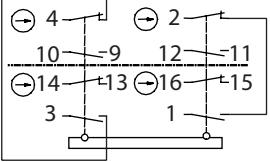
| EU Conformity |
|--|
| acc. to directive 2014/35/EU (Low-Voltage-Directive) |

Notes

The degree of protection specified (IP code) applies only to a properly closed protective guard and the use of an equivalent cable gland with adequate cable.

Switch elements without switching symbols.
Example of wiring in enclosure (bottom).

Example of wiring:



Pressure point