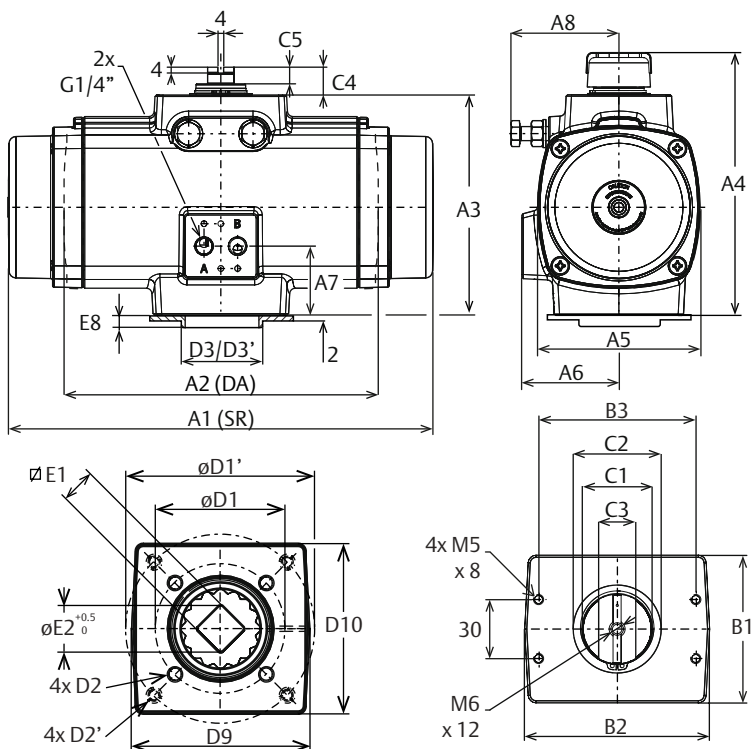


# Data sheet F 600

## Metric - DIN3337



Dim. in mm		Size 600							
A1	A2	A3	A4	A5	A6	A7	A8	E1 Max.	
476	356	248	292	195	102	67	132	27.11	
B1	B2	B3	C1	C2	C3	C4	C5	E1 Min.	
98	148	130	55	65	36	30	10	27.00	
D1	D2	D3	D1'	D2'	D3'	D9	D10	E2	
125	M12x18	85	102	M10x15	-/-	118	113	36.2	

Principle	
Pneumatic rack & pinion actuator	
General data	
Bore	175.0 mm
Stroke	44.0 mm
Weight	SR 20.0 kg
	DA 28.0 kg
Volume	Port A 3.6 L
	Port B 3.3 L
Air connection	2x 1/4" BSP
Pressure range	MOP 8.3 barg
	SR 3-8.3 barg
	DA 0.2-8.3 barg
Pressure media	Clean, dry or lubricated air or inert gas.
Cycle speed DA <sup>(2)</sup>	Open 2.2 Sec.
	Close 2.2 Sec.
Cycle speed SR <sup>(2)</sup>	Open 3.2 Sec.
	Close 1.9 Sec.
Temperature range	-20°C to +80°C
Lubrication	Lubricated for life <sup>(1)</sup>
Stroke	90°
Over / Undertravel	+5° / -5° at each end
Finish	Polyurethan powder coat

1. According EN 15714-3.
2. Test conditions:  
Solenoid with flow capacity: 0.6 m<sup>3</sup>/hr; Pipe diameter: 6mm; Medium: clean air, Supply pressure: 5.5 barg ~ 80psig; Load: with average load; Stroke: 90°; Temperature: Room temperature
3. Dimensions D1, D2 und D3 are standard. Dimensions D1', D2' und D3' are optional.
4. DA = Double Acting, SR = Spring Return

Torque Output (N.m)																				
Spring Return			Air Stroke Torque (N.m)																	
Spring set	Spring Stroke Torque		2.0 barg		3.0 barg		4.0 barg		4.5 barg		5.0 barg		5.5 barg		6.0 barg		7.0 barg		8.0 barg	
	Start	End	Start	End	Start	End	Start	End	Start	End	Start	End	Start	End	Start	Start	Start	End	Start	End
10	96	60	188	147	320	279	452	411	518	477	584	543	650	609	716	675	848	807	980	939
20	192	121	119	37	251	169	383	301	449	367	515	433	581	499	647	565	779	697	911	829
30	287	181	-	-	181	59	313	191	379	257	445	323	511	389	577	455	709	587	841	719
40	383	241	-	-	-	-	244	81	310	147	376	213	442	279	508	345	640	477	772	609
50	479	302	-	-	-	-	-	-	241	37	307	103	373	169	439	235	571	367	703	499
60	575	362	-	-	-	-	-	-	-	-	-	-	303	59	369	125	501	257	633	389
<b>Double acting</b>			243		368		492		554		617		679		741		866		991	

### Notes:

- Volume is the actual free air volume at 1 atm
- Flange and square drive to ISO 5211
- Solenoid mounting interface according to VDI/VDE 3845 (NAMUR)
- For further information regarding options, materials, certifications and additional execution please contact your regional sales office

### European Directives:

- Suitable for use with group 2 gases according to Pressure Equipment Directive (PED) 2014/68/EU
- Suitable for use in hazardous areas classified II 2 GD, zones 1 or 2 (gases) and 21 or 22 (dust) according to ATEX Directive 2014/34/EU
- For the configuration code please consult EFG.02.01.EN