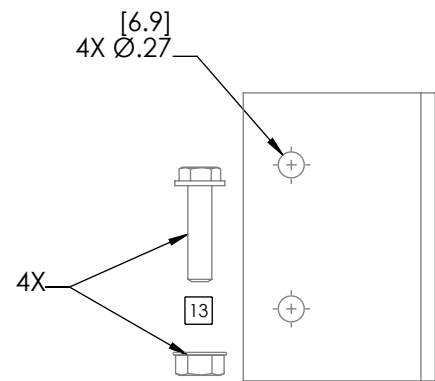
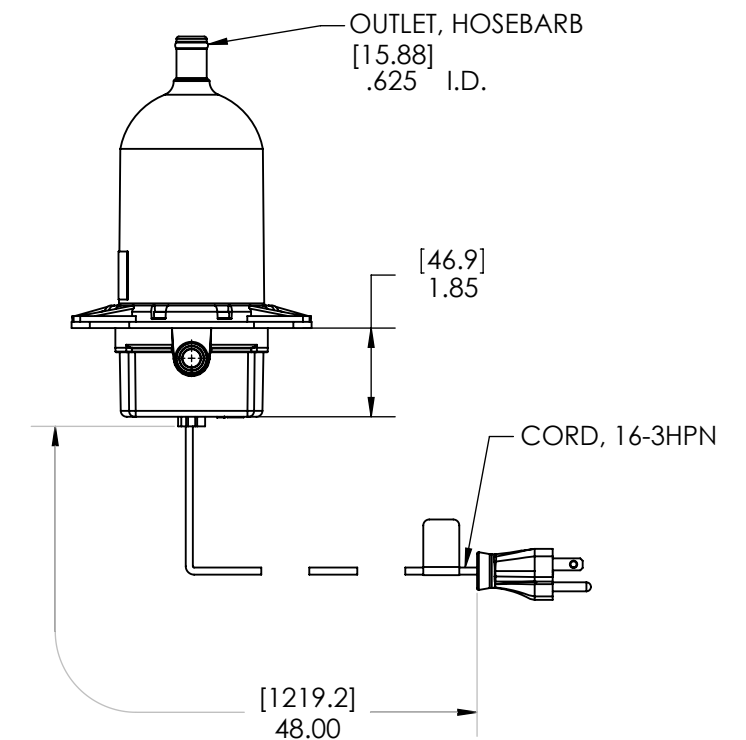
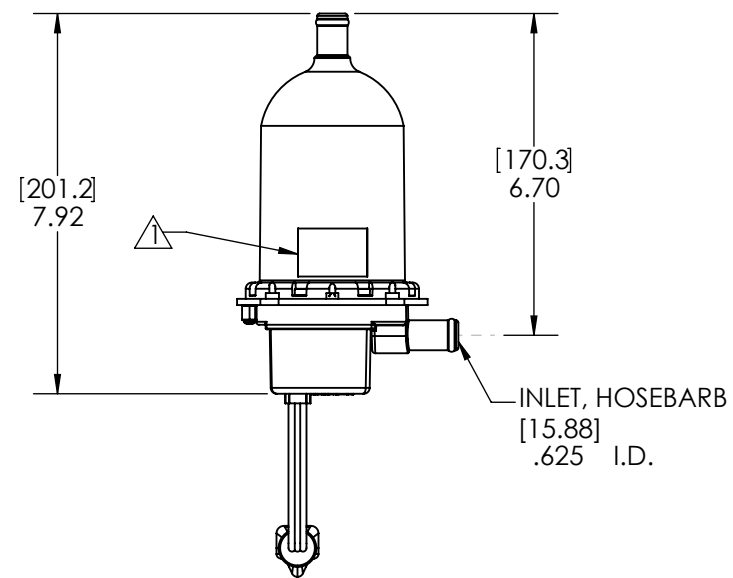


REVISIONS					
REV.	ECO	DATE	DESCRIPTION	AUTH.	DR.
13	---	10-27-10	REMOVE WASHER FROM MOUNTING KIT	JWH	DR
14	---	10-29-12	UPDATED TO DUAL DIMENSIONS	ER	ER
15	8638	08-06-15	REMOVED CE AND CSA REFERENCE FROM NOTE 1 AND ADDED UL TO NOTE 1.	CDH	BLF



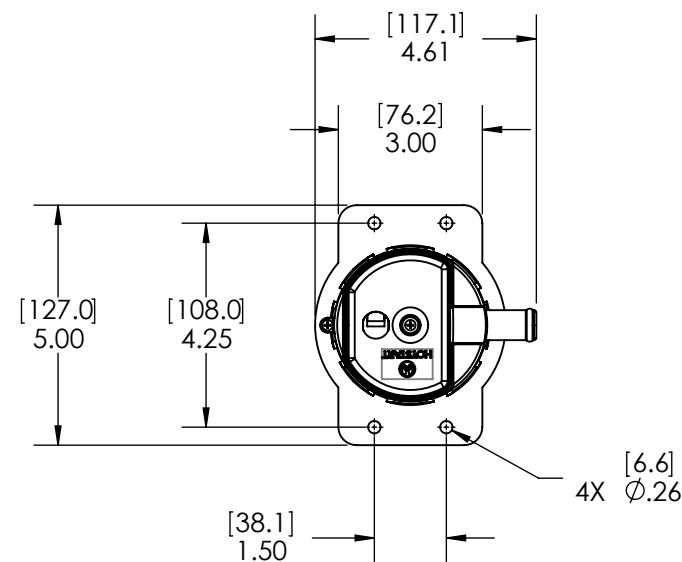
MOUNTING KIT
SCALE 1 : 2



NOTES:

- 1. LABELED WITH PART NUMBER, WATTS, VOLTS, DATE CODE AND UL MARK.
- 2. DIMENSIONS ARE FOR REFERENCE ONLY.
- 3. MOUNTING KIT SHIPPED LOOSE IN PLASTIC BAG.

PART NUMBER	AVAILABLE RATINGS			REPLACEMENT PARTS			
	VOLTS	WATTS	TEMP. RANGE	ELEMENT ASM.	TANK	CAP	POWER CORD
TPS051GT12-000	120	500	ON: 120° OFF: 140°	REPS051T12	TPS	CPS-1	11P48UU
TPS101GT12-000	120	1000		REPS101T12	TPS	CPS-1	11P48UU
TPS102GT12-000	240	1000		REPS102T12	TPS	CPS-1	21P48UU
TPS151GT12-000	120	1500		REPS151T12	TPS	CPS-1	11P48UU
TPS152GT12-000	240	1500		REPS152T12	TPS	CPS-1	21P48UU
TPS181GT12-000	120	1800		REPS181T12	TPS	CPS-1	12P48UU
TPS202GT12-000	240	2000		REPS202T12	TPS	CPS-1	21P48UU
TPS051GT10-000	120	500		ON: 100° OFF: 120	REPS051T10	TPS	CPS-1
TPS101GT10-000	120	1000	REPS101T10		TPS	CPS-1	11P48UU
TPS102GT10-000	240	1000	REPS102T10		TPS	CPS-1	21P48UU
TPS151GT10-000	120	1500	REPS151T10		TPS	CPS-1	11P48UU
TPS152GT10-000	240	1500	REPS152T10		TPS	CPS-1	21P48UU
TPS181GT10-000	120	1800	REPS181T10		TPS	CPS-1	12P48UU
TPS202GT10-000	240	2000	REPS202T10		TPS	CPS-1	21P48UU
TPS051GT8-000	120	500	ON: 80° OFF: 100°		REPS051T8	TPS	CPS-1
TPS101GT8-000	120	1000		REPS101T8	TPS	CPS-1	11P48UU
TPS102GT8-000	240	1000		REPS102T8	TPS	CPS-1	21P48UU
TPS151GT8-000	120	1500		REPS151T8	TPS	CPS-1	11P48UU
TPS152GT8-000	240	1500		REPS152T8	TPS	CPS-1	21P48UU
TPS181GT8-000	120	1800		REPS181T8	TPS	CPS-1	12P48UU
TPS202GT8-000	240	2000		REPS202T8	TPS	CPS-1	21P48UU



120V 15A
NEMA 5-15P

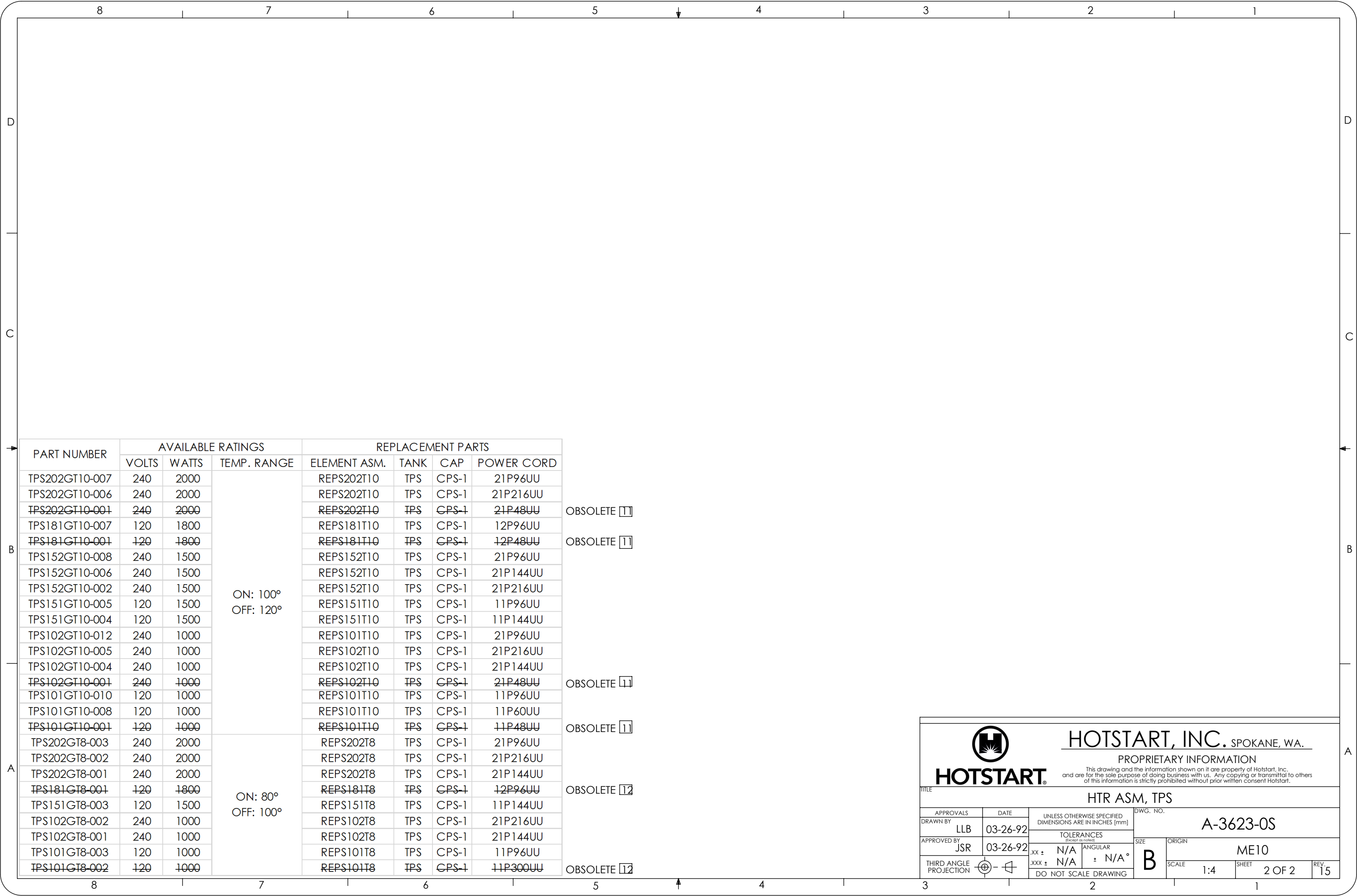
240V 15A
NEMA 6-15P

120V 20A
NEMA 5-20P


HOTSTART, INC. SPOKANE, WA.
PROPRIETARY INFORMATION

This drawing and the information shown on it are property of Hotstart, Inc. and are for the sole purpose of doing business with us. Any copying or transmittal to others of this information is strictly prohibited without prior written consent Hotstart.

APPROVALS		DATE	UNLESS OTHERWISE SPECIFIED DIMENSIONS ARE IN INCHES [mm]	DWG. NO.
DRAWN BY	LLB	03-26-92	TOLERANCES (Except as noted)	A-3623-0S
APPROVED BY	JSR	03-26-92		
THIRD ANGLE PROJECTION		DO NOT SCALE DRAWING	SIZE	ORIGIN
			B	ME10
			SCALE	SHEET
			1:4	1 OF 2
				REV.
				15



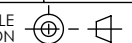
PART NUMBER	AVAILABLE RATINGS			REPLACEMENT PARTS				
	VOLTS	WATTS	TEMP. RANGE	ELEMENT ASM.	TANK	CAP	POWER CORD	
TPS202GT10-007	240	2000	ON: 100° OFF: 120°	REPS202T10	TPS	CPS-1	21P96UU	
TPS202GT10-006	240	2000		REPS202T10	TPS	CPS-1	21P216UU	
TPS202GT10-001	240	2000		REPS202T10	TPS	CPS-1	21P48UU	OBSOLETE [1]
TPS181GT10-007	120	1800		REPS181T10	TPS	CPS-1	12P96UU	
TPS181GT10-001	120	1800		REPS181T10	TPS	CPS-1	12P48UU	OBSOLETE [1]
TPS152GT10-008	240	1500		REPS152T10	TPS	CPS-1	21P96UU	
TPS152GT10-006	240	1500		REPS152T10	TPS	CPS-1	21P144UU	
TPS152GT10-002	240	1500		REPS152T10	TPS	CPS-1	21P216UU	
TPS151GT10-005	120	1500		REPS151T10	TPS	CPS-1	11P96UU	
TPS151GT10-004	120	1500		REPS151T10	TPS	CPS-1	11P144UU	
TPS102GT10-012	240	1000		REPS101T10	TPS	CPS-1	21P96UU	
TPS102GT10-005	240	1000		REPS102T10	TPS	CPS-1	21P216UU	
TPS102GT10-004	240	1000		REPS102T10	TPS	CPS-1	21P144UU	
TPS102GT10-001	240	1000		REPS102T10	TPS	CPS-1	21P48UU	OBSOLETE [1]
TPS101GT10-010	120	1000	REPS101T10	TPS	CPS-1	11P96UU		
TPS101GT10-008	120	1000	REPS101T10	TPS	CPS-1	11P60UU		
TPS101GT10-001	120	1000	REPS101T10	TPS	CPS-1	11P48UU	OBSOLETE [1]	
TPS202GT8-003	240	2000	ON: 80° OFF: 100°	REPS202T8	TPS	CPS-1	21P96UU	
TPS202GT8-002	240	2000		REPS202T8	TPS	CPS-1	21P216UU	
TPS202GT8-001	240	2000		REPS202T8	TPS	CPS-1	21P144UU	
TPS181GT8-001	120	1800		REPS181T8	TPS	CPS-1	12P96UU	OBSOLETE [12]
TPS151GT8-003	120	1500		REPS151T8	TPS	CPS-1	11P144UU	
TPS102GT8-002	240	1000		REPS102T8	TPS	CPS-1	21P216UU	
TPS102GT8-001	240	1000		REPS102T8	TPS	CPS-1	21P144UU	
TPS101GT8-003	120	1000		REPS101T8	TPS	CPS-1	11P96UU	
TPS101GT8-002	120	1000		REPS101T8	TPS	CPS-1	11P300UU	OBSOLETE [12]



HOTSTART, INC. SPOKANE, WA.

PROPRIETARY INFORMATION

This drawing and the information shown on it are property of Hotstart, Inc. and are for the sole purpose of doing business with us. Any copying or transmittal to others of this information is strictly prohibited without prior written consent Hotstart.

TITLE HTR ASM, TPS		DWG. NO. A-3623-OS	
APPROVALS	DATE	UNLESS OTHERWISE SPECIFIED DIMENSIONS ARE IN INCHES [mm]	
DRAWN BY	LLB 03-26-92	TOLERANCES <small>(Except as noted)</small>	
APPROVED BY	JSR 03-26-92	.XX ± N/A	ANGULAR ± N/A°
THIRD ANGLE PROJECTION 		DO NOT SCALE DRAWING	SIZE B
SCALE		ORIGIN	SHEET
1:4		ME10	2 OF 2
		REV.	15