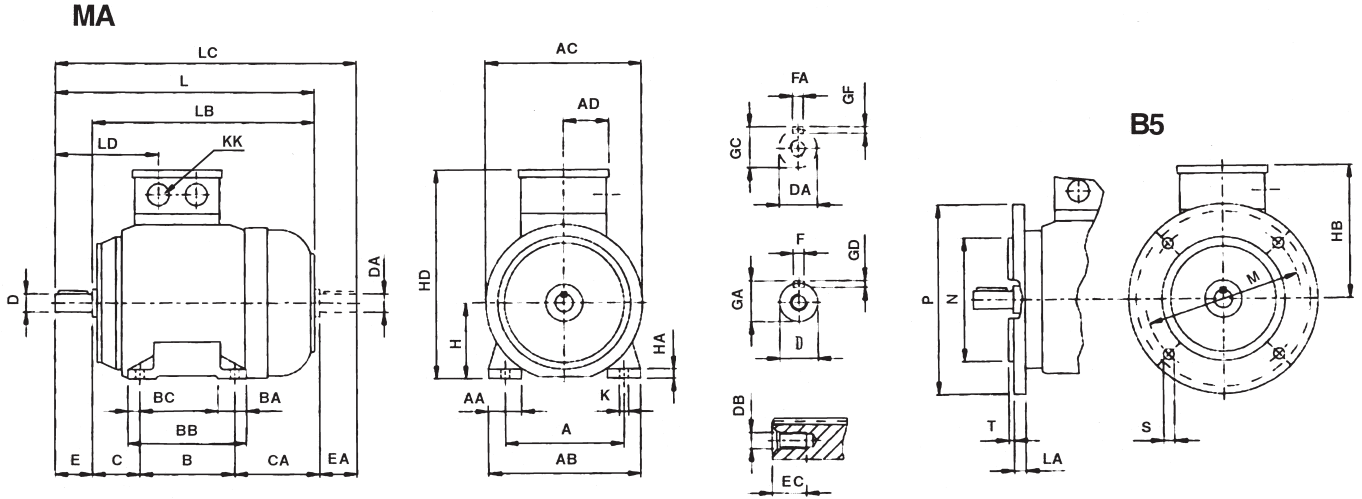


DIMENSIONI/ DIMENSIONS/ ABMESSUNGEN/ DIMENSIONS/ DIMENSIONES



	A	B	C	CA	D	1 DA 2		DB	E	1 EA 2		EC	F	1 FA 2		GA	1 GC 2		GD	1 GF 2		H	K	KK
MA112 MR-M	190	140	70	125	28	28	28	M10	60	60	60	22	8	8	8	31	31	31	7	7	7	112	12	Pg21
MA132 S-SA	216	140	89	186	38	38	38	M12	80	80	80	28	10	10	10	41	41	41	8	8	8	132	12	Pg21
MA132 M-MA	216	178	89	148	38	38	38	M12	80	80	80	28	10	10	10	41	41	41	8	8	8	132	12	Pg21
MA132 L	216	203	89	233	38	38	38	M12	80	80	80	28	10	10	10	41	41	41	8	8	8	132	12	Pg21
MA160 MC-M	254	210	108	207	42	42	42	M16	110	110	110	36	12	12	12	45	45	45	8	8	8	160	14	Pg29
MA160 L	254	254	108	163	42	42	42	M16	110	110	110	36	12	12	12	45	45	45	8	8	8	160	14	Pg29
MA180 M	279	241	121	209	48	38	42	M16	110	80	110	35	14	10	12	51,5	41	45	9	8	8	180	14	Pg29
MA 180 L	279	279	121	171	48	38	42	M16	110	80	110	35	14	10	12	51,5	41	45	9	8	8	180	14	Pg29
MA200 LC-L	318	305	133	172	55	38	48	M16	110	80	110	42	16	10	14	59	41	51,5	10	8	9	200	18	Pg29

	LA	M	N	P	S	T	AA	AB	BA	BB	BC	HA	AC	AD	HB	HD	L	LB	1 LC 2		D
MA112 MR-M	14	215	180	250	14	4	48	225	40	175	17,5	13	230	52	178	290	390	330	455	455	148
MA132 S-SA	14	265	230	300	14	4	60	250	70	210	16	16	240	52	183	315	485	405	575	575	168
MA132 M-MA	14	265	230	300	14	4	60	250	70	210	16	16	240	52	183	315	485	405	575	575	168
MA132 L	14	265	230	300	14	4	52	260	40	245	21	16	275	52	225	357	595	515	685	685	182
MA160 MC-M	15	300	250	350	18	5	70	295	110	295	21	20	275	100	225	385	625	515	745	745	212
MA160 L	15	300	250	350	18	5	70	295	110	295	21	20	275	100	225	385	625	515	745	745	212
MA180 M	15	300	250	350	18	5	70	330	105	330	25	20	330	100	252	432	675	565	761	791	239
MA 180 L	15	300	250	350	18	5	70	330	105	330	25	20	330	100	252	432	675	565	761	791	239
MA200 LC-L	15	350	300	400	18	5	80	380	105	365	30	25	380	100	275	475	705	595	800	830	258

1) Dimensioni per 2 poli. Dimensions pour 2 pôles. Abmessungen für 2 pole. Dimensions for 2 poles. Dimensiones para 2 polos.
 2) Dimensioni per 4, 6, 8 poli. Dimensions pour 4, 6, 8 pôles. Abmessungen für 4, 6, 8 pole Dimensions for 4, 6, 8 poles. Dimensiones para 4, 6, 8 polos.

TOLLERANZE:

Quota H = +0 -0,5mm
 Quota N = ≤ 230 = j6
 N = 250 = h6
 Quota D/DA = ≤ 28 = j6
 = ≥ 38 ... ≤ 48 = k6
 = ≥ 55 = m6
 Le dimensioni non sono impegnative.

TOLERANCES:

Cote H = +0 -0,5mm (225 ... 250)
 Cote N = ≤ 230 = j6
 N = 250 = h6
 Cote D/DA = ≤ 28 = j6
 = ≥ 38 ... ≤ 48 = k6
 = ≥ 55 = m6
 Les dimensions ne sont pas impératives.

TOLERANZEN:

Mass H = +0 -0,5mm (225 ... 250)
 Mass N = ≤ 230 = j6
 N = 250 = h6
 Mass D/DA = ≤ 28 = j6
 = ≥ 38 ... ≤ 48 = k6
 = ≥ 55 = m6
 Die Abmessungen sind nicht verbindlich.

TOLERANCES:

Dimension H = +0 -0,5mm
 Dimension N = ≤ 230 = j6
 N = 250 = h6
 Dimension D/DA = ≤ 28 = j6
 D/DA = ≥ 38 ... ≤ 48 = k6
 D/DA = ≥ 55 = m6
 The dimensions are not binding.

TOLERANCIAS:

Cotas H = +0 -0,5mm
 Cotas N = ≤ 230 = j6
 N = 250 = h6
 Cotas D/DA = ≤ 28 = j6
 D/DA = ≥ 38 ... ≤ 48 = k6
 D/DA = ≥ 55 = m6
 Las dimensiones son orientativas.