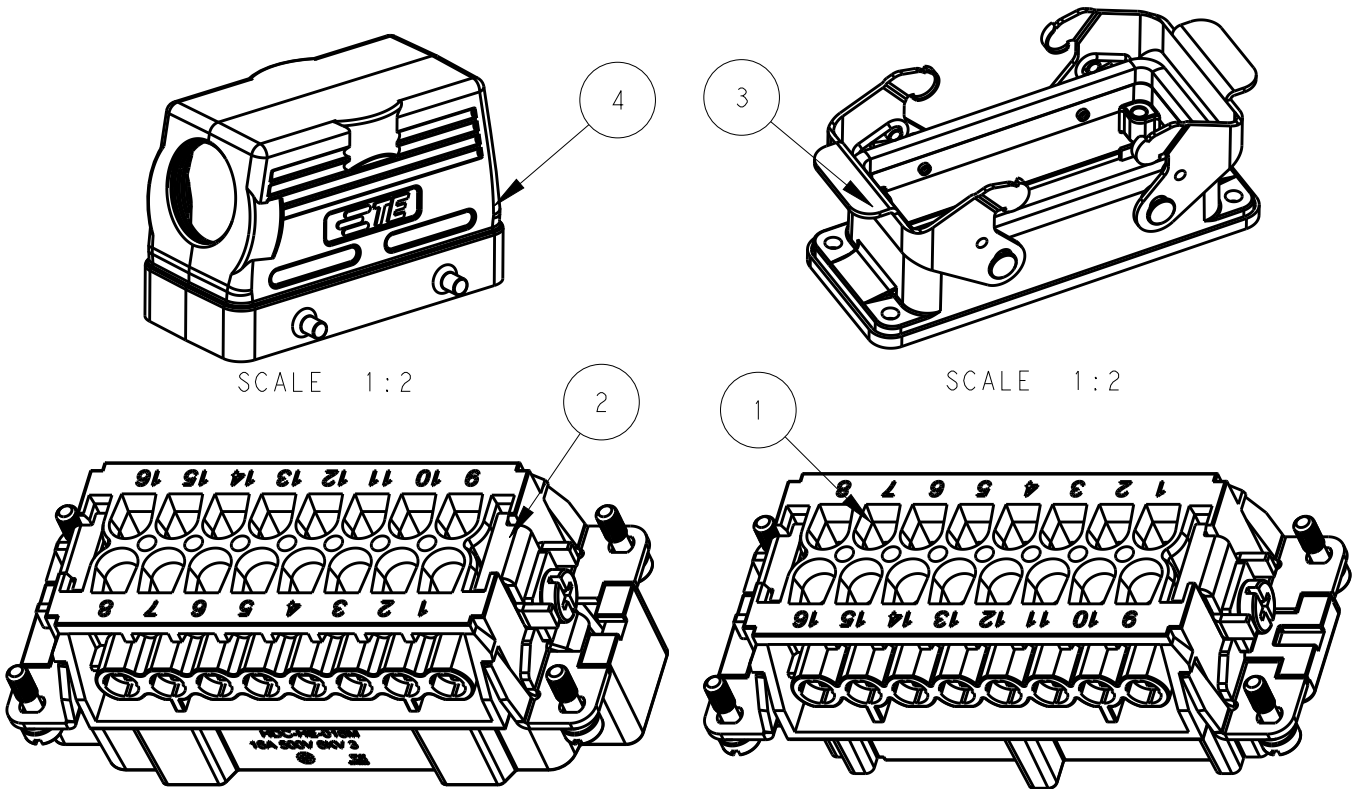



REVISIONS					
P	LTR	DESCRIPTION	DATE	DWN	APVD
	A	INITIAL RELEASE	02SEP2015	DL	CW

NOTES:

- 1 SET OF PRODUCT (K0000000001-000) CONTAIN:  
 1 PC ITEM No.1 (T2040162201-000) AND 1PC ITEM No.2 (T2040162101-000) ARE IN ONE BAG WITH ASSEMBLY STAGE;  
 1 PC ITEM No.3 (T1410162000-000) IN ONE BAG;  
 1 PC ITEM No.4 (T1210160121-000) IN ONE BAG;
- 1 SET OF PRODUCT (K0000000001-000) IS PUT IN ONE INNER-BOX;  
 20 INNER-BOXS IN ONE CARTON.



K0000000001-000				
4	T1210160121-000	HOOD	H16B-TS-PG21	1
3	T1410162000-000	HOUSING	H16B-AG	1
2	T2040162101-000	MALE INSERT	HE-016-M	1
1	T2040162201-000	FEMALE INSERT	HE-016-F	1
ITEM No.	PART NUMBER	PART DESCRIPTION	PART TYPE	Q'TY

DIMENSIONS: mm	DWN DAVID LI	02SEP2015	MATERIAL TBD	FINISH -	
	CHK CHRIS WANG	02SEP2015	 TE Connectivity		
TOLERANCES UNLESS OTHERWISE SPECIFIED:	APVD XU XIANG	02SEP2015			NAME HDC-HE-016 KITS
	0 PLC ±-	PRODUCT SPEC	SIZE A4	CAGE CODE -	DRAWING NO C-K0000000001000
1 PLC ±-	APPLICATION SPEC	WEIGHT -	SCALE 1:1		
2 PLC ±-			SHEET 1 OF 1		
3 PLC ±-			REV A		
4 PLC ±-			CUSTOMER DRAWING		
ANGLES ±-					

20

RELEASED FOR PUBLICATION

THIS DRAWING IS UNPUBLISHED.

ALL RIGHTS RESERVED.

BY -

© COPYRIGHT 20