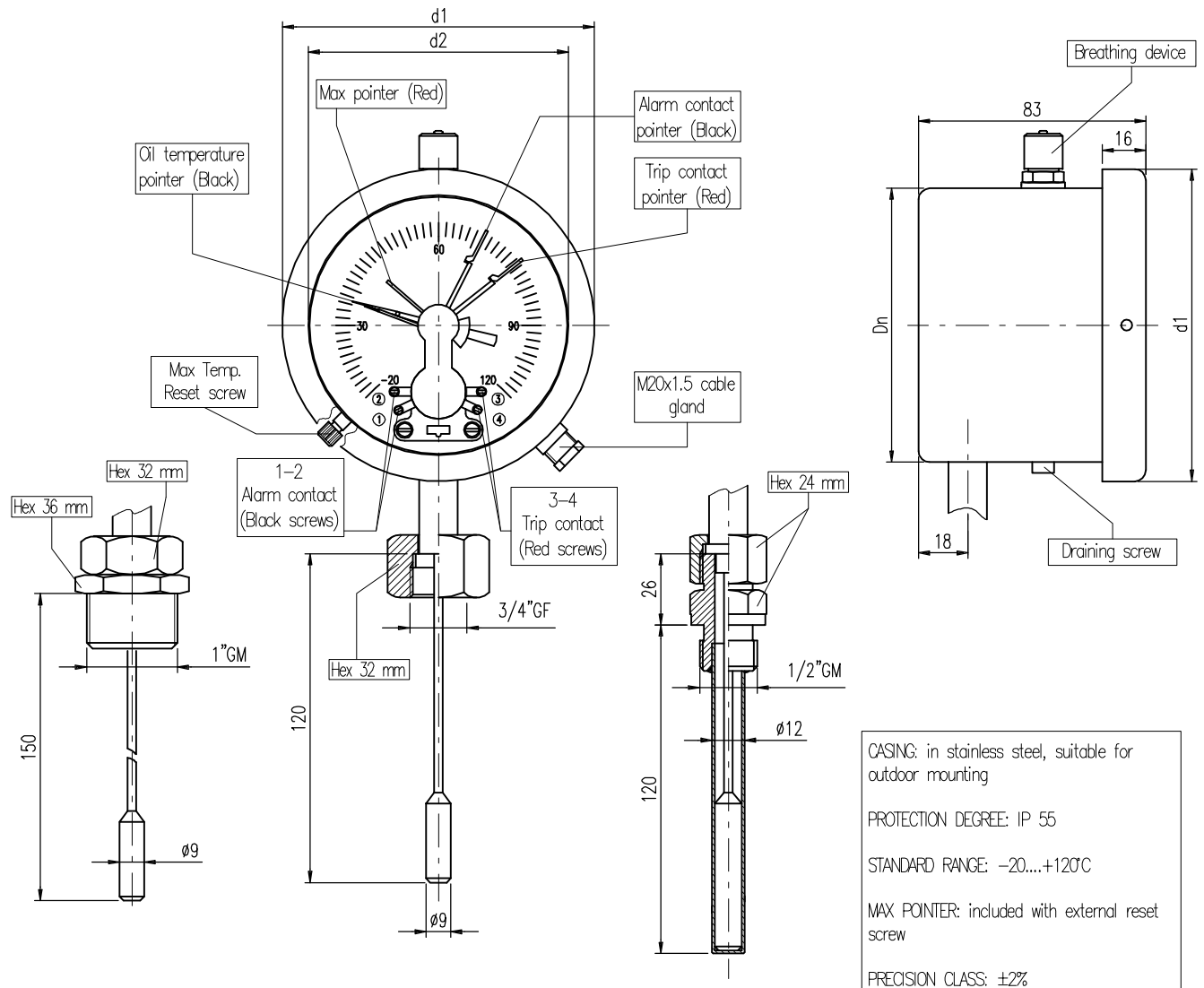


FILE = 3795 .DWG LMT (0,0) (196,286) A4 (210x297)
 REV. 03 DTD 01/12/16
 La CEDASPE S.p.A. si riserva a termini di legge la proprietà del presente disegno con divieto di riproduzione o comunicazione a terzi senza sua autorizzazione.



Bulb style "M"

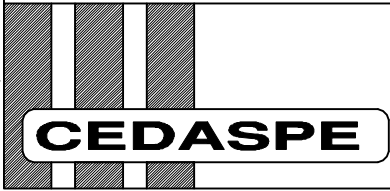
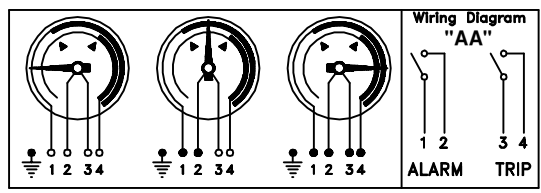
Bulb style "F"

Bulb style "PK"
(Removable pocket)

CASING: in stainless steel, suitable for outdoor mounting
 PROTECTION DEGREE: IP 55
 STANDARD RANGE: -20....+120°C
 MAX POINTER: included with external reset screw
 PRECISION CLASS: ±2%
 ELECTRIC CONTACTS: two independent max contact, air insulated, normally open
 Max Load 18VA/10W
 BULB STYLE: to be indicated when issuing the order

| Type | Dn | d1 | d2 | H | Bulb | Code |
|---------------|-----|-----|----|----|------|------------|
| TESS-R-100-F | 100 | 113 | 95 | 80 | F | TE10SS1ROF |
| TESS-R-100-PK | | | | | PK | TE10SS1ROP |
| TESS-R-100-M | | | | | M | TE10SS1ROM |

| Performance of contacts | |
|-------------------------|------------------|
| DC | AC |
| 24V / 200mA - DC | 24V / 350mA - AC |
| 110V / 80mA - DC | 110V / 90mA - AC |
| 240V / 40mA - DC | 240V / 45mA - AC |



Titolo
Thermometers TESS series for DT
 - stainless steel housing
 - radial rigid stem

Data 11/03/13
 Scala ==
 Dis.
 Visto

Dis. Nr
3795
 1 2 3