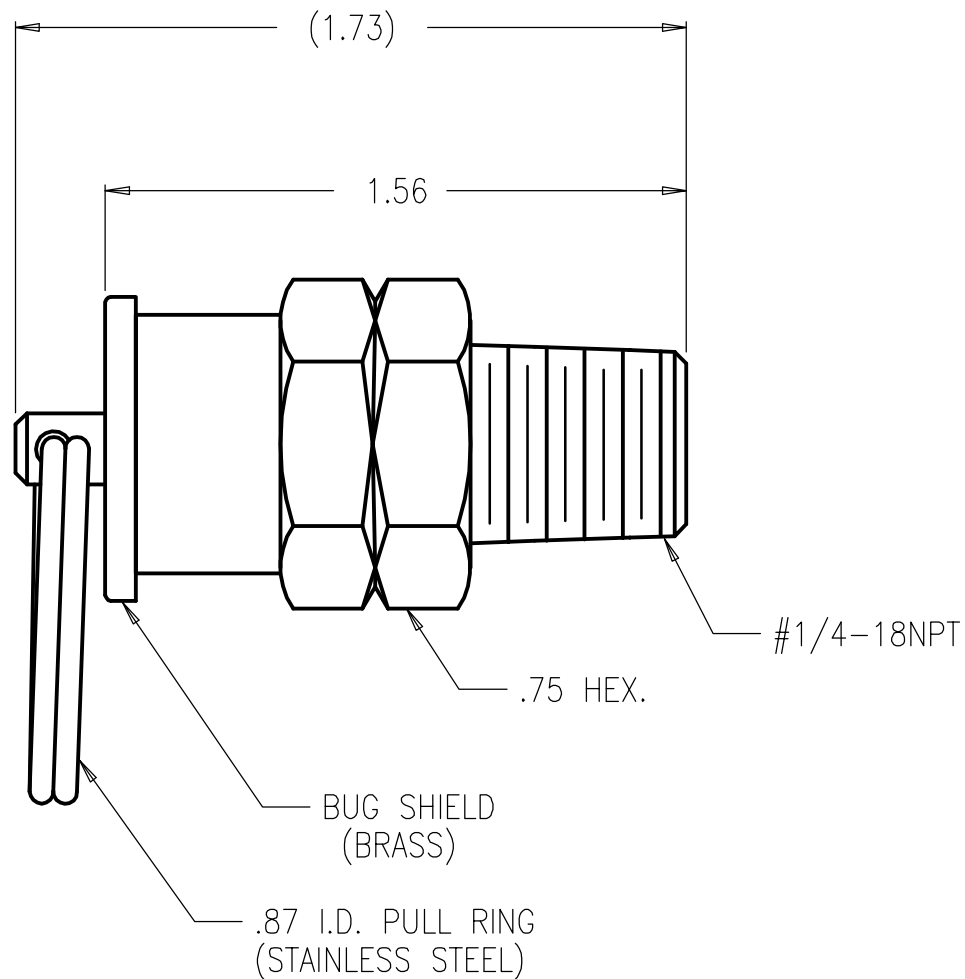
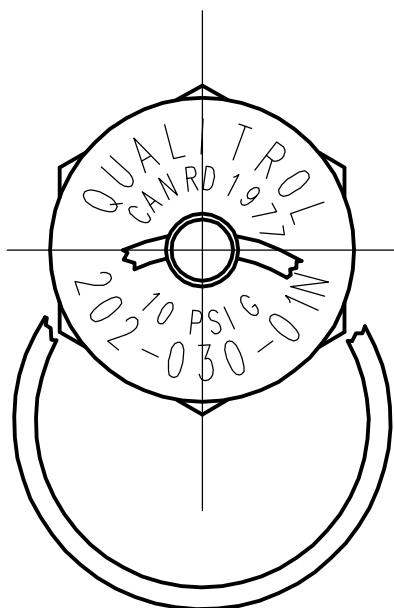


NOTICE
 THIS DRAWING IS THE PROPERTY OF QUALITROL COMPANY LLC AND IS LOANED ONLY ON THE CONDITION THAT IT WILL BE USED TO FACILITATE THE PURPOSE FOR WHICH INTENDED AND NOT BE REPRODUCED, COPIED OR OTHERWISE DISPOSED OF, AND IS NOT TO BE USED IN WHOLE OR PART FOR FURNISHING INFORMATION RELATIVE TO THE MAKING OF DRAWINGS, PARTS APPARATUS OR PARTS THEREOF, EXCEPT BY WRITTEN ORDER FROM QUALITROL COMPANY LLC.

MODEL NO. 202-030-01N

OPERATING CHARACTERISTICS

1. OPERATING PRESSURE: 10 ± 2 PSIG
 RESEAL PRESSURE: BEFORE 6 PSIG
2. DISCHARGE RATE AT 15 PSI IS 50 SCFM.
3. ALL PARTS ARE BRASS OR STAINLESS STEEL, VITON "O" RING.



LET	DATE	ALTERATION	C.N.
-	5-13-10	ADDED GROOVE IN HEX	28128
-	9-16-97	RELEASE	18760

QUALITROL

DIMENSIONS AND TOLERANCES IN ACCORDANCE WITH ASME Y14.5M-1994

PH. (585) 586-1515
 FAX (585) 377-0220

1385 FAIRPORT ROAD
 FAIRPORT, NY 14450
 FORM 0-473 REV. F 04/06/06

TITLE: PR VALVE
 MODEL NO. 202-030-01N