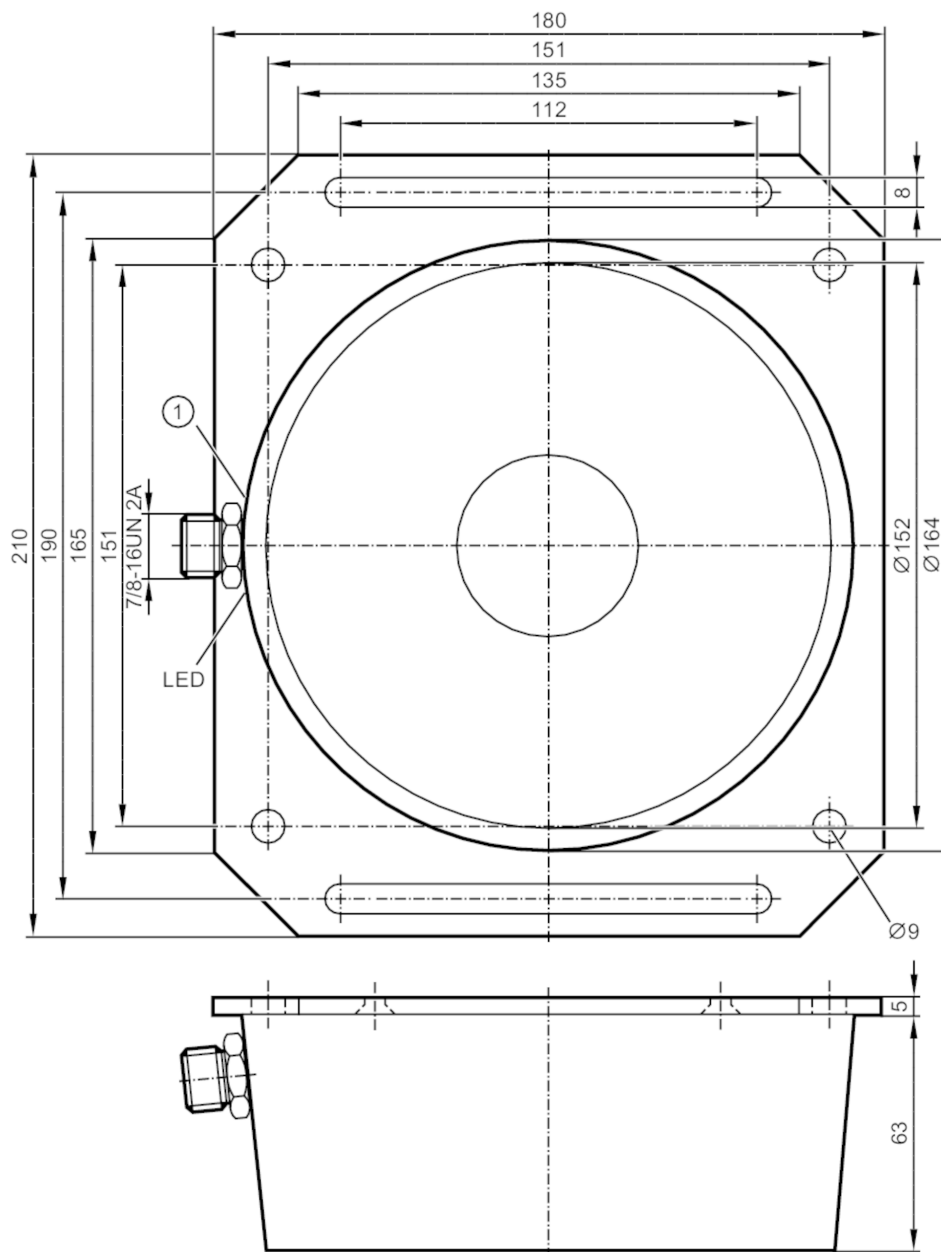


I22008



Inductive sensor

SIY-2120-ABOW/LS/A-PLATE



1 potentiometer



Product characteristics

Output function		normally open
Sensing range	[mm]	30...120
Housing		tubular
Dimensions	[mm]	$\varnothing 164$ / L = 68

I22008



Inductive sensor

SIY-2120-ABOW/LS/A-PLATE

Electrical data		
Frequency AC	[Hz]	47...63
Operating voltage	[V]	90...250 AC
Protection class		I
Reverse polarity protection		no
Outputs		
Output function		normally open
Max. voltage drop switching output AC	[V]	11
Minimum load current	[mA]	15
Max. leakage current	[mA]	6
Permanent current rating of switching output AC	[mA]	200; (250 (...50 °C))
Short-time current rating of switching output	[mA]	1500; (10 ms / 0,5 Hz)
Switching frequency AC	[Hz]	3
Short-circuit proof		no
Overload protection		no
Monitoring range		
Sensing range	[mm]	30...120
Sensing range adjustable		yes
Factory setting sensing range	[mm]	120
Real sensing range Sr	[mm]	120 ± 10 %
Accuracy / deviations		
Correction factor		steel: 1 / stainless steel: 0.7 / brass: 0.4 / aluminum: 0.3 / copper: 0.2
Hysteresis	[% of Sr]	< 15
Switch-point drift	[% of Sr]	-15...15
Operating conditions		
Ambient temperature	[°C]	-20...70
Protection		IP 65
Tests / approvals		
EMC		EN 60947-5-2
Mechanical data		
Weight	[g]	1578
Housing		tubular
Mounting		non-flush mountable
Type of mounting		with mounting plate
Dimensions	[mm]	Ø 164 / L = 68
Material		housing: PBT; Mounting plate: aluminum anodized
Displays / operating elements		
Display	Switching status	1 x LED, yellow
Electrical connection		
Required protection		miniature fuse to IEC60127-2 sheet 1; ≤ 2 A; fast acting

I22008



Inductive sensor

SIY-2120-ABOW/LS/A-PLATE

Remarks

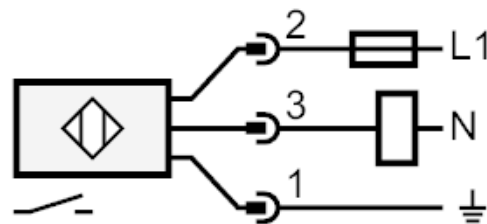
Remarks	Recommendation: check the unit for reliable function after a short circuit.
Pack quantity	1 pcs.

Electrical connection - plug

Connector: 1 x 7/8"; coding: A



Connection



Note miniature fuse to IEC60127-2 sheet 1 \leq 2 A fast acting