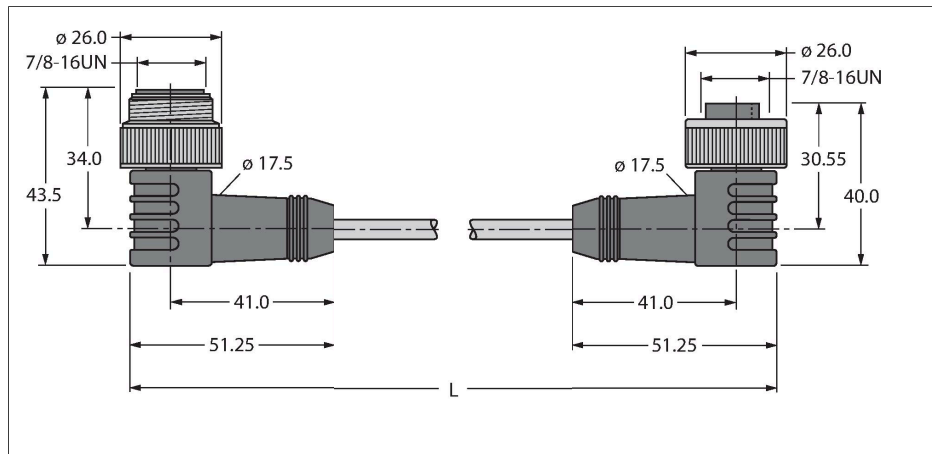


# WSM-WKM5723-30M

## Bus cable for CAN (DeviceNet™, CANopen) – TPU Cable Jacket



### Features

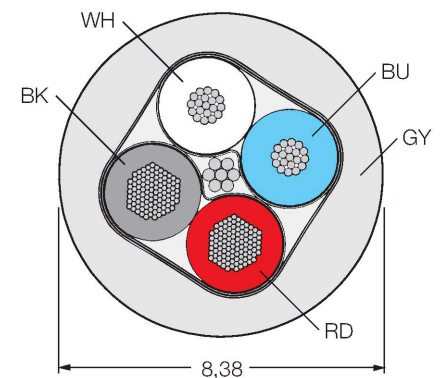


- Jacket material: PUR
- Jacket color: gray
- Suitable for drag chain use
- UL approval
- 7/8" female, angled
- 7/8" male, angled
- Cable length: 30 m

### Technical data

Type	WSM-WKM5723-30M
Ident. no.	6605675
Connector A	Connectors, 7/8", Angled
Number of pins	5
Contacts	Metal, CuZn, Gold-plated
Contact carriers	Plastic, TPU, Blue
Connector body	Plastic, TPU, Blue
Coupling nut/screw	Brass, CuZn, Nickel-plated
Mechanical lifespan	> 100 Mating cycles
Pollution degree	3
Protection class	IP67, Only in screwed condition
Connector B	Female, 7/8", Angled
Number of pins	5
Contacts	Metal, CuZn, Gold-plated
Contact carriers	Plastic, TPU, Blue
Connector body	Plastic, TPU, Blue
Coupling nut/retaining screw	Brass, CuZn, Nickel-plated
Mechanical lifespan	> 100 Mating cycles
Protection class	IP67, Only when screwed tight
Cable	
Cable	DeviceNet™ CANopen, 5723
Cable diameter	Ø 8.38 mm
Cable length	30 m
Cable jacket	TPU, Gray
Shielding	yes
Core insulation	PE (Data), PVC (Power)
Data cable cores	

### Cable Cross-Section



## Technical data

Core cross-section	2 x 0.52 mm <sup>2</sup>
Arrangement of strands	41 x 0.1 mm
Power cable cores	
Cable conductor cross-section	2x 1.04 mm <sup>2</sup>
Litz wire arrangement	82 x 0.1 mm
Core colors	Power: RD, BK, Data: WH, BU
Electrical properties at +20 °C	
Rated voltage	300 V
Current	7 A
DC resistance (loop)	34.1 Ω/km
Nom. impedance	110 Ω (1 MHz)
Nom. capacitance	40.52 pF/m
Mechanical and chemical properties	
Bending radius (stationary installation)	≥ 5 x Ø
Bending radius (flexible use)	≥ 15 x Ø
Stationary	-40 °C...+80 °C
Other Features	
Qualified for drag chain use	yes
Halogen-free	no
Approvals	UL, CSA