

# PF 66.000 | PFA 60.000

## ECOOL FILTERFAN | EXHAUST FILTER 640–785 m³/h



- installation size 6, air flow rate up to 785 m³/h
- three performance classes, cut-out compatible
- system of protection IP 54 and IP 55, NEMA type 12
- UL, cUL approval
- UV-resistance (IP 55 version)
- cut-out compatible with installation size 6 from the 3rd Generation and with cooling unit DTFI 9021

| PRODUCT     |       | PF 66.000   |             |             |      |
|-------------|-------|-------------|-------------|-------------|------|
| ARTICLE NO. | IP 54 | 11666022055 | 11666102055 | 11666152055 | Unit |
| ARTICLE NO. | IP 55 | 11666023055 | 11666103055 | 11666153055 |      |

| DATA   |       |   |             |            |         |
|--|-------|---|-------------|------------|---------|
| Rated voltage ±10 %  |       | AC 50   60 Hz   |             |            |         |
|  |       | 400 3~   460 3~   | 230         | 115        | V       |
| Unimpeded airflow  | IP 54 | 640   653   |             |            | m³/h    |
|  | IP 55 | 770   785   |             |            |         |
| Airflow rate in comb. with exhaust filter                  | IP 54 | 445   445   |             |            |         |
|  | IP 55 | 490   501   |             |            |         |
| Power consumption  |       | 120   155   | 120   160   | 110   160  | W       |
| Current consumption  |       | 0.26   0.25   | 0.53   0.72 | 0.96   1.4 | A       |
| Noise level according to EN ISO 3741                       |       | 63   64   |             |            | dB (A)  |
| Weight   |       | 3.2   |             |            | kg      |
| Type of connection   |       | spring-type terminal  |             |            |         |
| Fuse   |       | 6   |             |            | A       |
| System of protection according to EN 60529 / UL 50         | IP 54 | NEMA type 12 - standard filter  |             |            |         |
|  | IP 55 | NEMA type 12 - fluted filter  |             |            |         |
| Filtration efficiency according to EN 779                  | IP 54 | 80 - 90   |             |            | %       |
|  | IP 55 | >90   |             |            | %       |
| Filter mat quality class according to EN 779               | IP 54 | G 3   |             |            |         |
|  | IP 55 | G 4   |             |            |         |
| Duty cycle   |       | 100   |             |            | %       |
| Bearing type   |       | ball bearing  |             |            |         |
| Service life L <sub>10</sub> (+ 40 °C) <sup>1</sup>        |       | 40000   |             |            | h       |
| Temperature range  |       | -40 ... +55   -40 ... +131  |             |            | °C   °F |
| Design (housing and protection against accidental contact) | IP 54 | made of injection-moulded thermoplastic, self-extinguishing, UL 94 VO |             |            |         |
|  | IP 55 | additional: UV-resistant  |             |            |         |
| Colour   |       | RAL 7035   different colours available on request                     |             |            |         |

| ACCESSORIES                 |          | ARTICLE NUMBER |
|-----------------------------|----------|----------------|
| Exhaust filter              | gray     | 11760002055    |
| Exhaust filter              | black    | 11760002050    |
| Spare filter mats           | 5 pieces | 18611600033    |
| Thermostat                  |          | 17121000000    |
| Hygrostat                   |          | 17207000000    |
| Rainhood in stainless steel |          | 18102000020    |

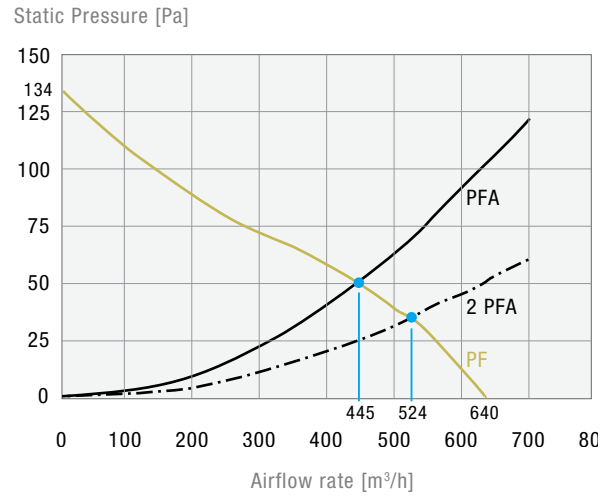
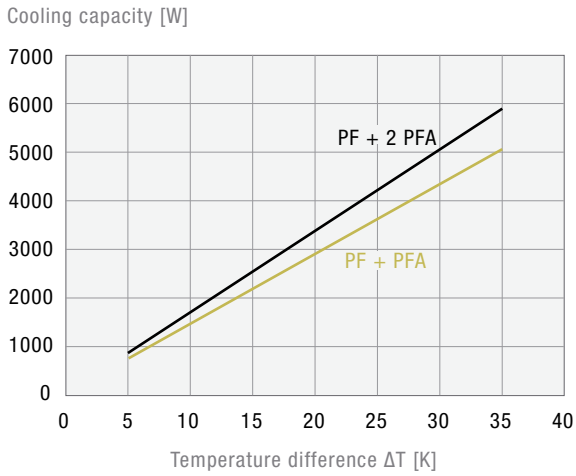
For additional models, options and voltages visit [www.pfannenber.com](http://www.pfannenber.com) or contact us directly.

<sup>1</sup> fan failure is defined as being when the current and speed deviate or the operating noises are out of the ordinary

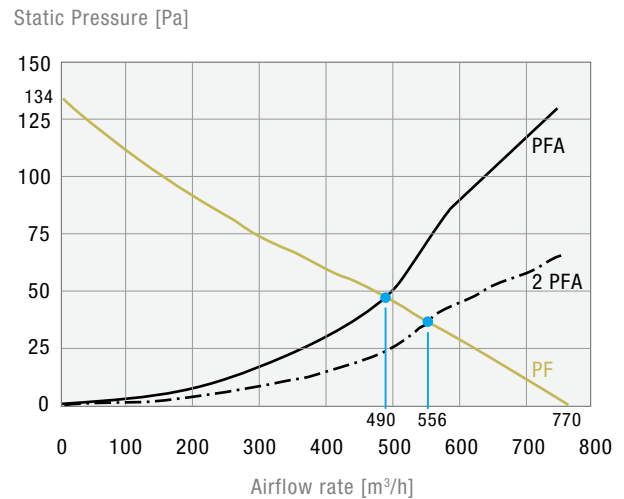
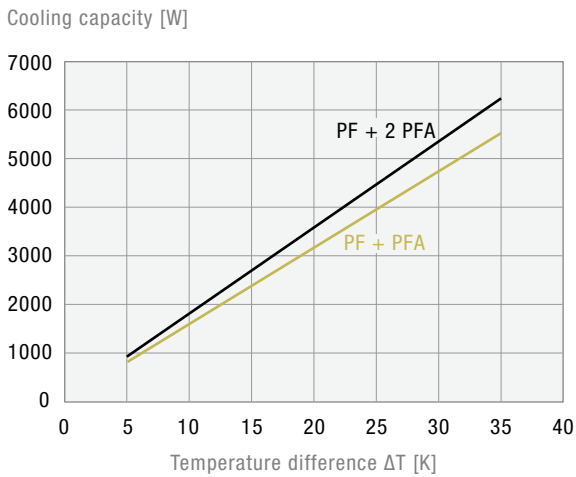
Cooling capacity performance curves

Static pressure performance curve

**PF 66.000 IP 54**

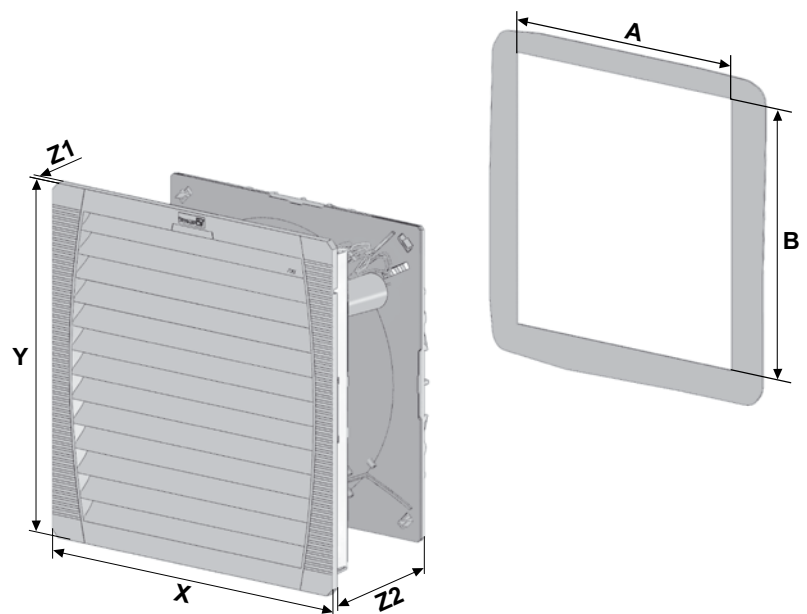


**PF 66.000 IP 55**



Dimensions

| mm                   | PF 66.000 | PFA 60.000 |
|----------------------|-----------|------------|
| <b>X</b>             | 320       | 320        |
| <b>Y</b>             | 320       | 320        |
| <b>Z1</b>            | 7         | 7          |
| <b>Z2</b>            | 150       | 39         |
| <b>A<sup>1</sup></b> | 291       | 291        |
| <b>B<sup>1</sup></b> | 291       | 291        |



<sup>1</sup> for material thicknesses up to 2 mm  
+ 1 mm for thickness of material > 2 mm ≤ 3 mm